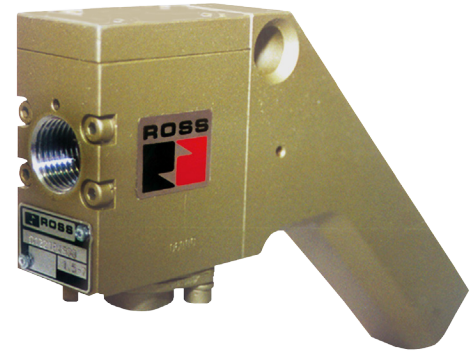


PRODUCT DATA SHEET INFORMATION



BLOW PISTOL VALVE

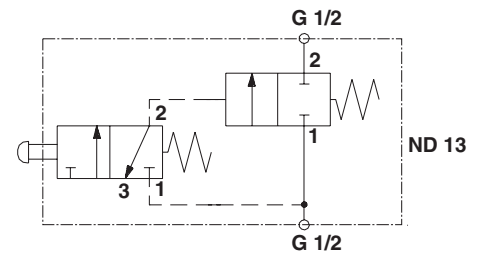
2/2 Directional Control Valve Normally Closed – Manually Operated



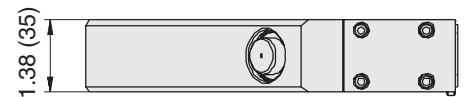
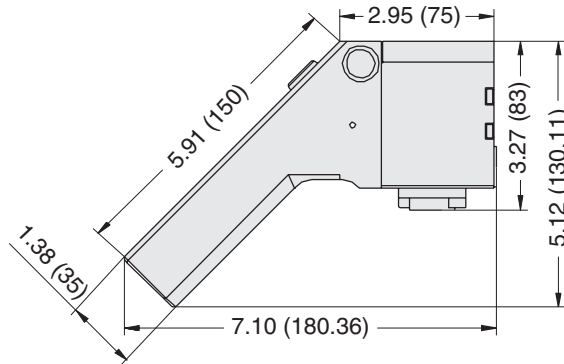
Features:

- Poppet construction
- High flow, low pressure
- Resilient seal on metal seat
- Integrated handle

Model Number	D1221B4900
---------------------	-------------------



Dimensions - inches (mm)



Standard Specifications:

Construction: Poppet.

Ambient Temperature: 40° to 175° F (4° to 80° C).

Media Temperature: 40° to 175° F (4° to 80° C).

Flow Medium: Filtered air.

Inlet Pressure: 5 to 150 psig (0.3 to 10 bar).

**ROSS VALVES
FOR IS GLASS MACHINES:**

- 21-Valve Block • Blow Head On/Off • Blow Mold Vacuum • Blow Pistol • Cartridge Valve, Open or Closed
- Counterblow Vacuum or Hi-Lo Pressure • Final Blow, Settle Blow, Finish Cooling, Blow Off
- Mold Open/Close • Plunger Up or Down, Cooling • Proportional Valve • Pusher



WARRANTY, CAUTIONS and WARNINGS

Standard ROSS warranty, cautions and warnings apply, available upon request or at www.rosscontrols.com.

ROSS CONTROLS	USA	Tel: Tech. Svs. 1-888-TEK-ROSS / Cust. Svs. 1-800-GET-ROSS	web site: www.rosscontrols.com
ROSS EUROPA GmbH	Germany	Tel: 49-6103-7597-0	web site: www.rosseuropa.com
ROSS ASIA K.K.	Japan	Tel: 81-42-778-7251	web site: www.rossasia.co.jp
ROSS UK Ltd.	UK	Tel: 44-1543-671495	web site: www.rossuk.co.uk
ROSS SOUTH AMERICA Ltda.	Brazil	Tel: 55-11-4335-2200	email: vendas@rosscontrols.com
ROSS CONTROLS INDIA Pvt. Ltd.	India	Tel: 91-44-2624-9040	email: ross.chennai@rosscontrols.com
ROSS CONTROLS (CHINA) Ltd.	China	Tel: 86-21-6915-7961	web site: www.rosscontrolschina.com
ROSS FRANCE S.A.S.	France	Tel: 33-1-49-45-65-65	web site: www.rossfrance.com
ROSS CANADA (6077170 CANADA INC. AN INDEPENDENT REPRESENTATIVE)	Canada	Tel: 1-416-251-7677 (416-251-ROSS)	web site: www.rosscanada.com