

MK-7

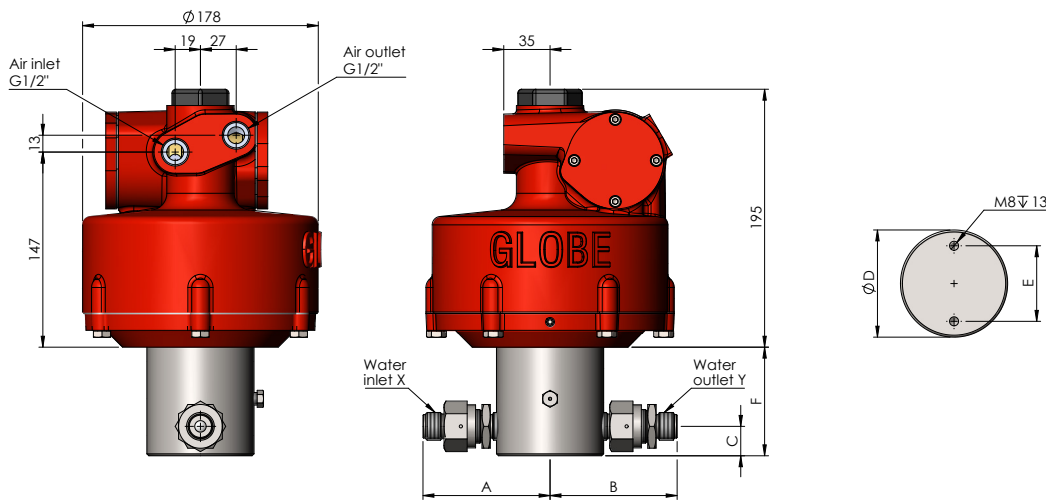
Air Operated High Pressure Pumps Up to 35.000 PSI / 2410 BAR

GLOBE Test Equipment is the specialist in everything that has to do with high pressure. The air driven MK-7 high pressure pumps are designed to deliver a wide range of fluids up to pressures of 2440 BAR (35.000 PSI). They are suitable for pumping water, oil and a wide range of fluids with a minimum air pressure for start up up to 1 BAR. Common applications include pressure testing, general hydraulics (for instance: bolt tensioning), process industry and construction and mining.

Our MK-7 high pressure pumps are commonly used with our APU High Pressure Systems. The high pressure systems consists of a high pressure pump in combination with all the necessary couplings and connections, built into a compact stainless steel frame. The system is easy to control, portable and ready for immediate use. Our systems are made in a stainless steel (inox) frame and mainly consist of stainless steel parts. This way we provide a high quality product with a long life span.

- Maintains pressure with minimal power consumption (Non-load holding).
- Usable in hazardous areas (per ATEX II 2G Ex h IIC T5 Gb X).
- Only 15 psi / 1 bar air pressure required to start pump.
- Requires flooded inlet. vertical mount.
- Can operate on gases other than air.
- Suitable for continuous and start/stop applications.
- Pumps oil, water, and other fluids.
- Stainless steel pump and check valves standard.
- Quiet operation
- Simple to install and maintain with a compact, rugged design.

Dimensions



type	RAM/Dia.		A		B		C		D		E		F		Connection	
	(in.)	mm	(in.)	mm	(in.)	mm	(in.)	mm	(in.)	mm	(in.)	mm	(in.)	mm	Inlet	Outlet
PMA27U	3	76.2	4.9	123.2	4.6	116.6	1.5	38.1	4	101.6	2.7	69.8	4.8	123.3	1"	3/4"
PMA60U	2	50.8											4.1	104.2		
PMA90U	1.63	41.4														
PMA130U	1.38	35.1	4.5	115.1	3.8	95.9	0.9	22.2	3.2	80.9	2.2	57	3.2	81.9	3/4"	1/2"
PMA190U	1.13	28.7														
PMA240U	1	25.4														
PMA370U	0.81	20.6	3.8	95.9	5.3	134.5	0.9	22.2	3.2	80.9	2.2	57	3.2	81.9	1/2"	NPT/BSP
PMA520U	0.69	17.5														
PMA770U	0.56	14.2														
PMA980U	0.50	12.7	4.7	119.8	5.3	134.5	0.9	22.2	3.2	80.9	2.2	57	3.2	81.9	1/2"	NPT/BSP
PMA1740U	0.38	9.7														
PMA2410U	0.31	7.9														3/8" HP HF6

Specifications & Performance MK-7

type	Ratio	Outlet Pres.		Outlet Per Cycle		Max. Flow at 0 Pressure		Performance
		PSI	Bar	cu.in.	ml	cu. in./min.	l/min.	
MK7-4/PMA27B	4	390	27	9,720	159,3	2260	37	
MK7-9/PMA60B	9	870	60	4,320	70,8	1400	22,9	
MK7-13.6/PMA90B	13,6	1300	90	2,850	46,7	915	15	
MK7-19/PMA130B	19	1880	130	2,040	33,4	670	11	
MK7-28.4/PMA190B	28,4	2750	190	1,370	22,5	455	7,5	
MK7-36/PMA240B	36	3480	240	1,080	17,7	354	5,8	

Order your
HIGH PRESSURE PUMP:
info@globe-benelux.nl

Specifications & Performance MK-7

type	Ratio	Outlet Pres.		Outlet Per Cycle		Max. Flow at 0 Pressure		Performance
		PSI	Bar	cu.in.	ml	cu. in./min.	l/min.	
MK7-54.5/PMA370B	54,5	5360	370	0,710	11,6	230	3,8	
MK7-76.5/PMA520B	76,5	7540	520	0,510	8,4	170	2,8	
MK7-113/PMA770B	113	11160	770	0,340	5,6	110	1,8	
MK7-145/PMA980B	145	14210	980	0,270	4,4	91	1,5	
MK7-256/PMA1740B	256	25230	1740	0,150	2,5	51	0,8	
MK7-368/PMA2410B	368	35000	2410	0,104	1,7	35	0,6	

Order your
HIGH PRESSURE PUMP:
info@globe-benelux.nl