



GLOBE AIRMOTORS B.V.



YOUR GLOBAL FORCE IN AIR POWER







THE GLOBE AIRMOTORS COMPANY

GLOBE Airmotors was founded in 1986 and designs, manufactures, sells and modifies air motors of many styles.

GLOBE Airmotors has an enthusiastic team, with a wealth of experience, ready at your disposal. Service and short delivery times are very important according to GLOBE Airmotors. Short delivery times can only be maintained when there is a stock that is sufficient to fulfil the need for quick air motor demands. As a result of this, standard products can be delivered from stock at all times.

GLOBE Airmotors keeps the production within its own organization, making it possible for customers to come up with unique specifications. New products are being designed and tested at the workshop before they reach each customer. Part of GLOBE' service are fast answers to questions asked by customers.



ISO CERTIFICATION

Along with service and short delivery times, GLOBE Airmotors finds overall quality very important. We are ISO 9001 certified to maintain our quality at it's best.

ATEX

Air motors and other pneumatic drives are often used in explosion risk environments such as mines. To ensure that GLOBE products are allowed to be used at these hazardous environments, GLOBE obtained ATEX certificates for all their air motors and gearboxes. Delivery is possible with ATEX II cat. 2 G&D T5 and ATEX I M2 (Mining).

For more information you can also go to our website:

www.GLOBE-benelux.nl

Drawings and performances are also available on our website.



INTRODUCTION AIR MOTORS

GLOBE Airmotors sells, manufactures and modifies a large variety of air motors and gearboxes suitable for all your needs.

Air motors offer a unique drive and incorporate advantages not found in other prime movers. Air motors are impossible to ignore for any engineer, because of the strong and reliable power they produce. Due to the wide range of products that GLOBE Airmotors has, applicable for a lot of different purposes.

GLOBE Airmotors has a wide selection of air motors each with its own advantages, such as the [GLOBE Piston Air Motors](#), [GLOBE Vane Air Motors](#), [GLOBE-Archimedes Compact Vane Air motors](#), the [GLOBE Compact Piston Airmotors](#) and all options needed for Air motors.



AIR MOTOR SELECTION GUIDE

VANE AIR MOTORS

The vane air motors are the most widely used design of air motors. They are available in a broad range of power and can operate in any position. The vane air motors prove themselves to be much lighter and more compact compared to piston air motors of similar power. A combination of a GLOBE vane air motor with a large variety of gearboxes is possible when lower speed and/or higher torque is demanded for the application. The most typical vane air motor applications are:

- Mixing equipment
- Ventilators
- Hoists
- Winches
- Pump drives
- Conveyor belts
- Turntables
- Packing machines
- After coolers

COMPACT VANE AIR MOTORS

The compact vane air motors are motors that have incorporated reduction units. Due to the wide range of gear ratios the compact vane air motors are suitable in many different applications. The compact vane air motors are known for delivering very high speed and very high torque compared to the compact build of the motor.

Compact vane air motors prove themselves in handheld applications, pipe cleaners and lots of other different industries which require compact build and strong reliable motors.

COMPACT PISTON AIR MOTOR

The GLOBE compact piston air motors are used in numerous applications. Due to its unique design the compact piston air motor are most suitable for light and medium duties at low speed operations. A combination of a GLOBE compact piston air motor with a large variety of gearboxes is possible when even lower speed and/or higher torque is demanded for the application. The most typical compact piston air motor applications are:

- Mixing equipment
- Winding equipment
- Conveyor belts
- Hose reels
- Turntables
- Packing machines
- Cap screwing machines

PISTON AIR MOTOR

The GLOBE piston air motor are heavy duty air motors. This radial piston air motor combines a large variable speed with high power and torque. The motors have either four or five pistons with oil bath lubrication and their design allows them to deliver the highest power in air motors. A combination of a GLOBE piston air motor with a large variety of gearboxes is possible when lower speed and/or higher torque is demanded for the application.

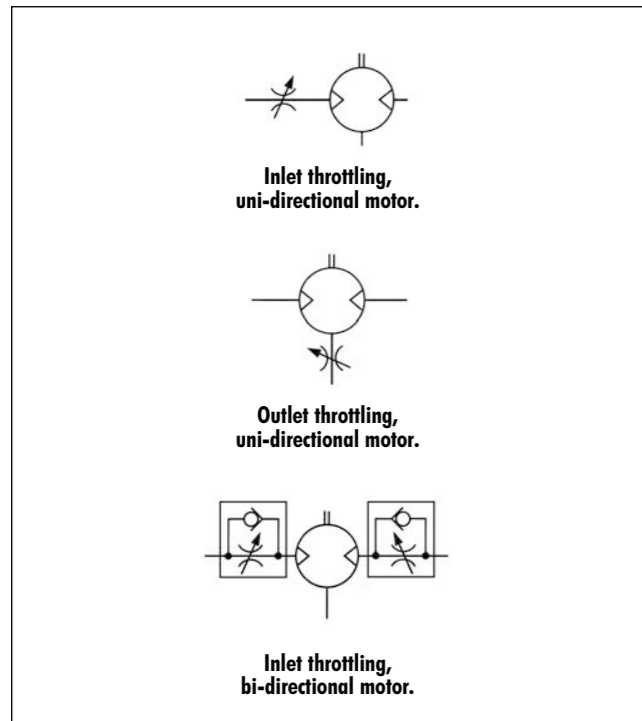
The piston air motor is applicable in many situations and is commonly used in winches, offshore and other heavy duty applications.

HOW TO CONTROL AND USE AN AIR MOTOR

SPEED REGULATION

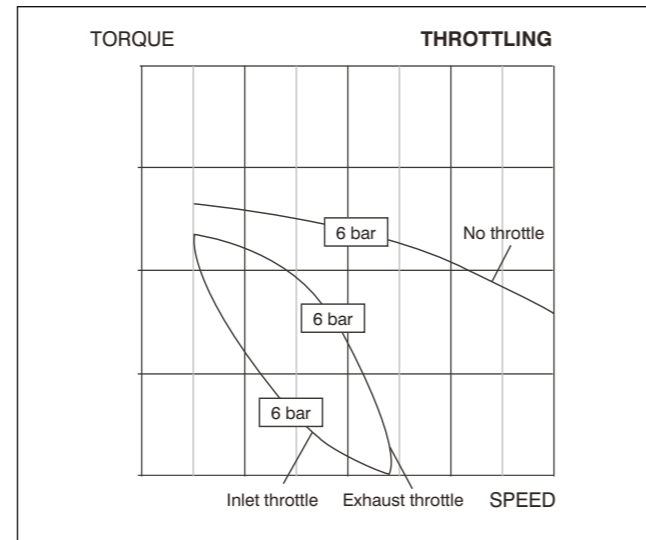
Controlling the performance of an air motor is done by regulating the air supply. This is relatively low cost and simple. The methods to regulate the air supply are throttling and pressure regulation.

TROTTLING METHODS



THROTTLING

The air flow is controlled by placing a flow control valve at the inlet port or the outlet port of the air motor. Throttling will reduce the maximum speed of the motor but will not affect the starting performance; the air pressure is unaffected at low flow conditions i.e. starting. Please consult the chapters of the different air motors for the correct throttling graphs and methods'.

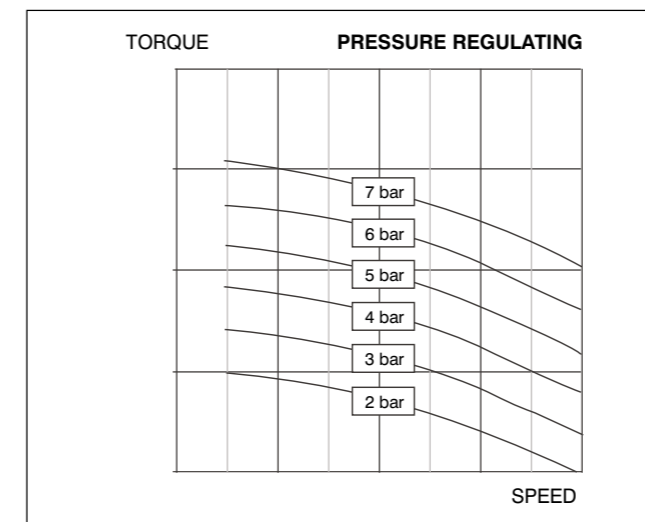
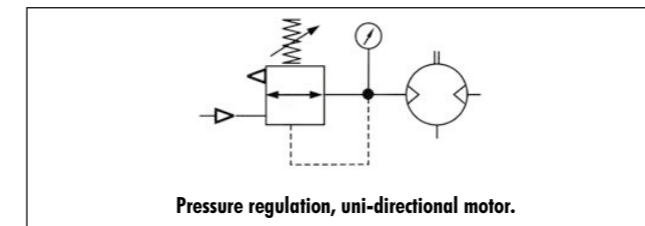


PRESSURE REGULATOR

The speed and power can also be reduced by installing a pressure regulator on the incoming air supply. The pressure regulator reduces the air pressure to the motor. A pressure regulator is always fitted on the inlet port. By using a pressure regulator the torque on the output shaft will be affected, starting torque is best controlled with this method.

PRESSURE REGULATING METHOD

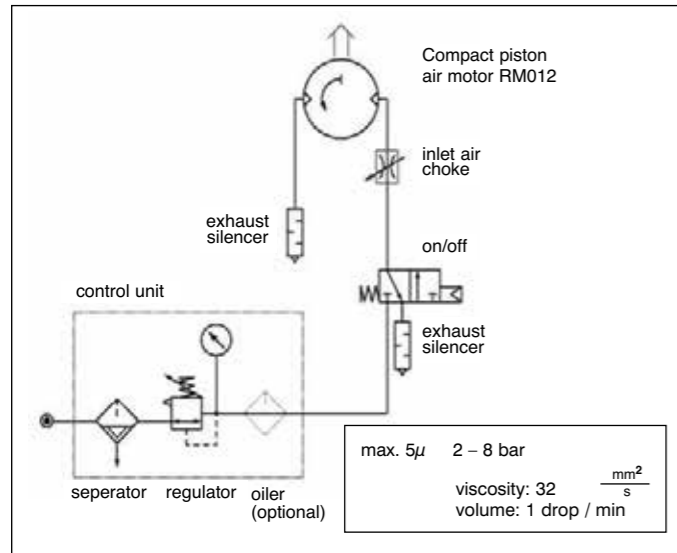
When both the speed and the torque are to be controlled the best configuration is to use a pressure regulator in the air line to the motor and a flow control valve on the outlet port. This way every point in the torque-speed graph can be set accurately.



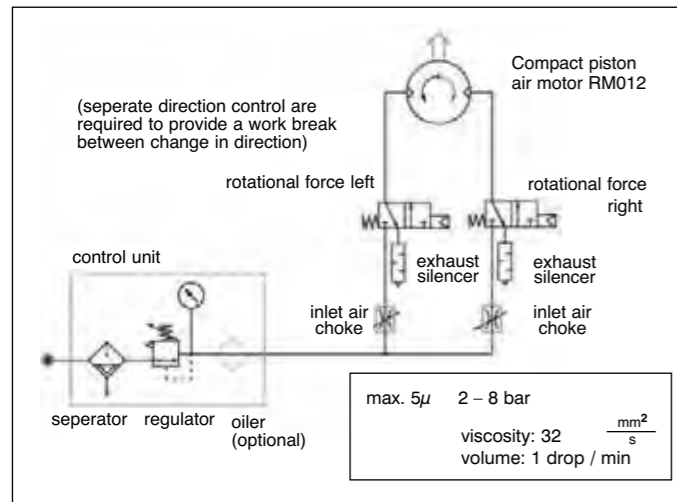
DIRECTIONS OF ROTATION

The GLOBE air motor can be used both as a uni-directional and as a bi-directional air motor. When the air motor is used in a non-reversible application, it is sufficient to use a 2/2 or a 3/2 valve. For the reversible motor you can use either a 5/3 or two 3/2 valve to gain directional control.

UNI - DIRECTIONAL



BI - DIRECTIONAL



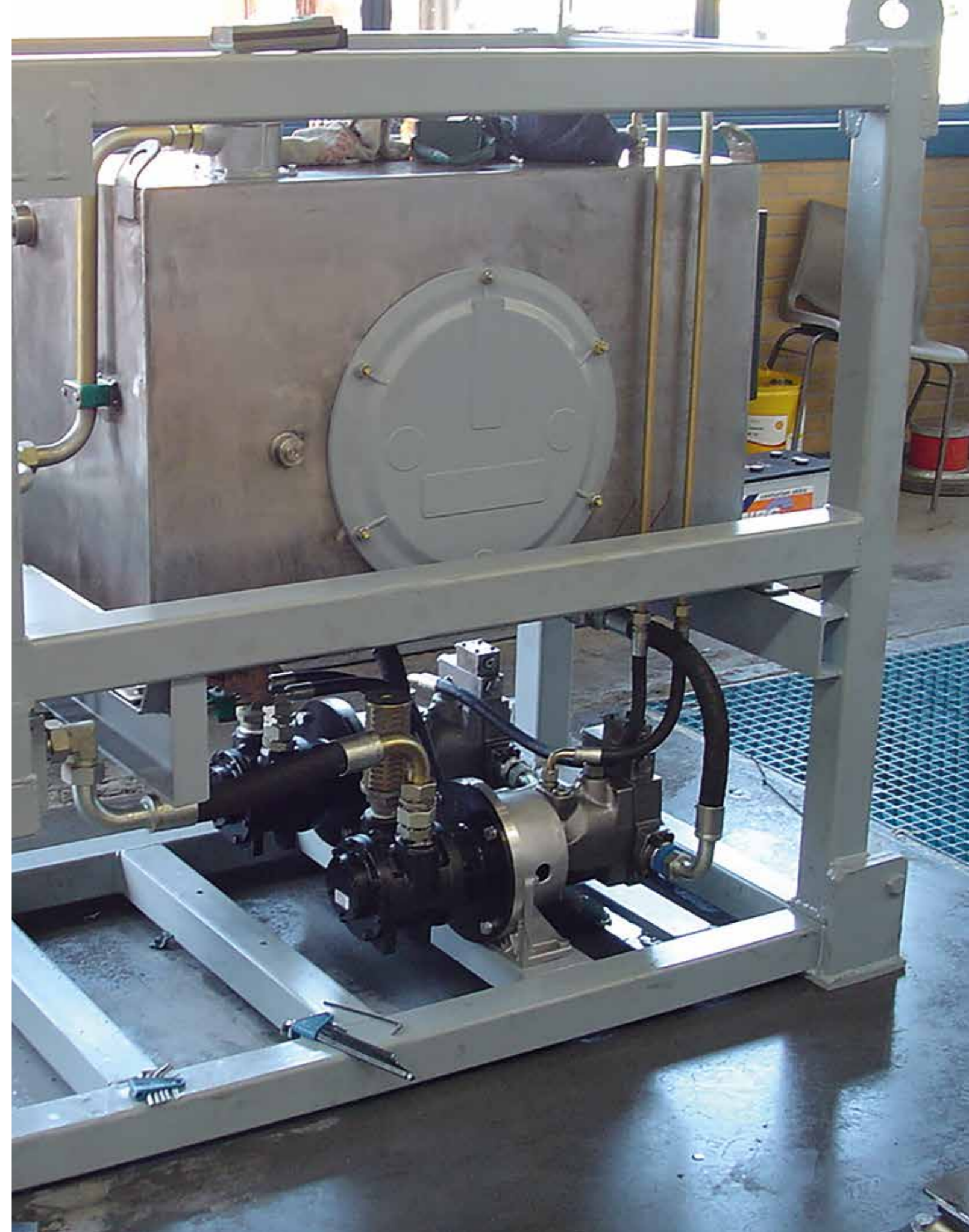
AIR SUPPLY

AIR QUALITY

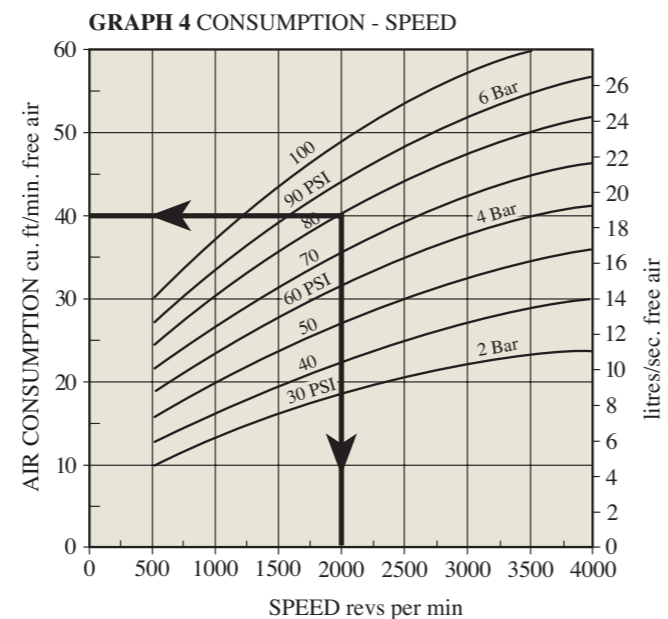
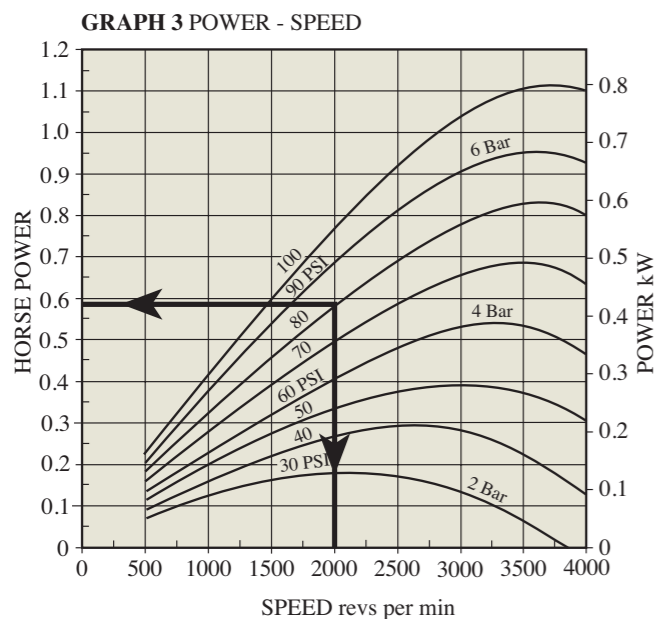
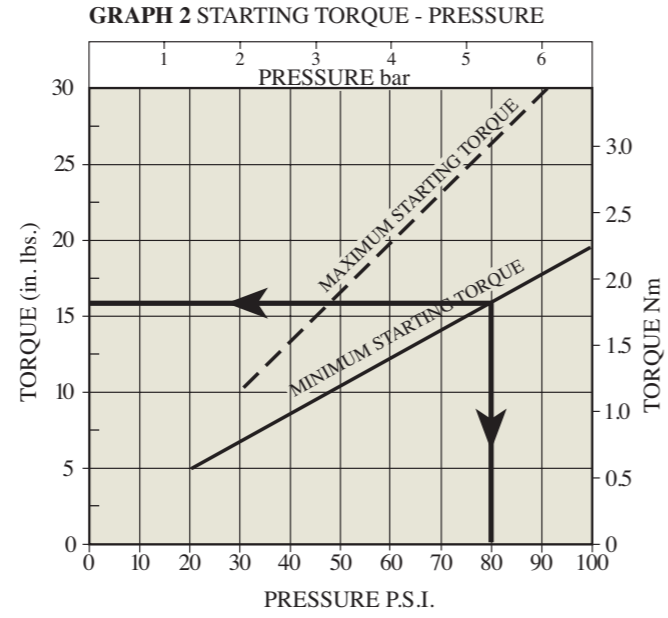
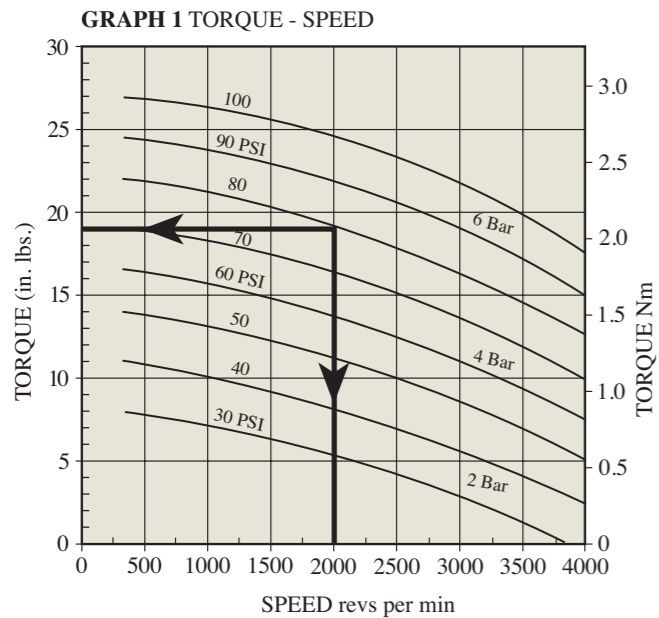
To ensure optimal working conditions for the GLOBE air motor, the air supply must be dry, filtered and lubricated. A 5 micron filter or better is recommended for the compact piston air motors and the compact vane air motors, a 64 microns filter or better is recommended for the vane air motors. The GLOBE air motor should be lubricated sufficiently. Oilless operations are possible in certain applications.

AIR LINE RESTRICTIONS

Air line restrictions on the inlet side of the motor will result in performance loss. Therefore it is important to make sure that the desired air pressure is available at the motor during operation. The pressure reading at the compressor or pressure regulator may be different than the pressure available at the motor. Performance loss can also occur by an exhaust restriction generating back pressure on the outlet side of the motor. An insufficiently sized silencer, valve or coupling is usually the cause.



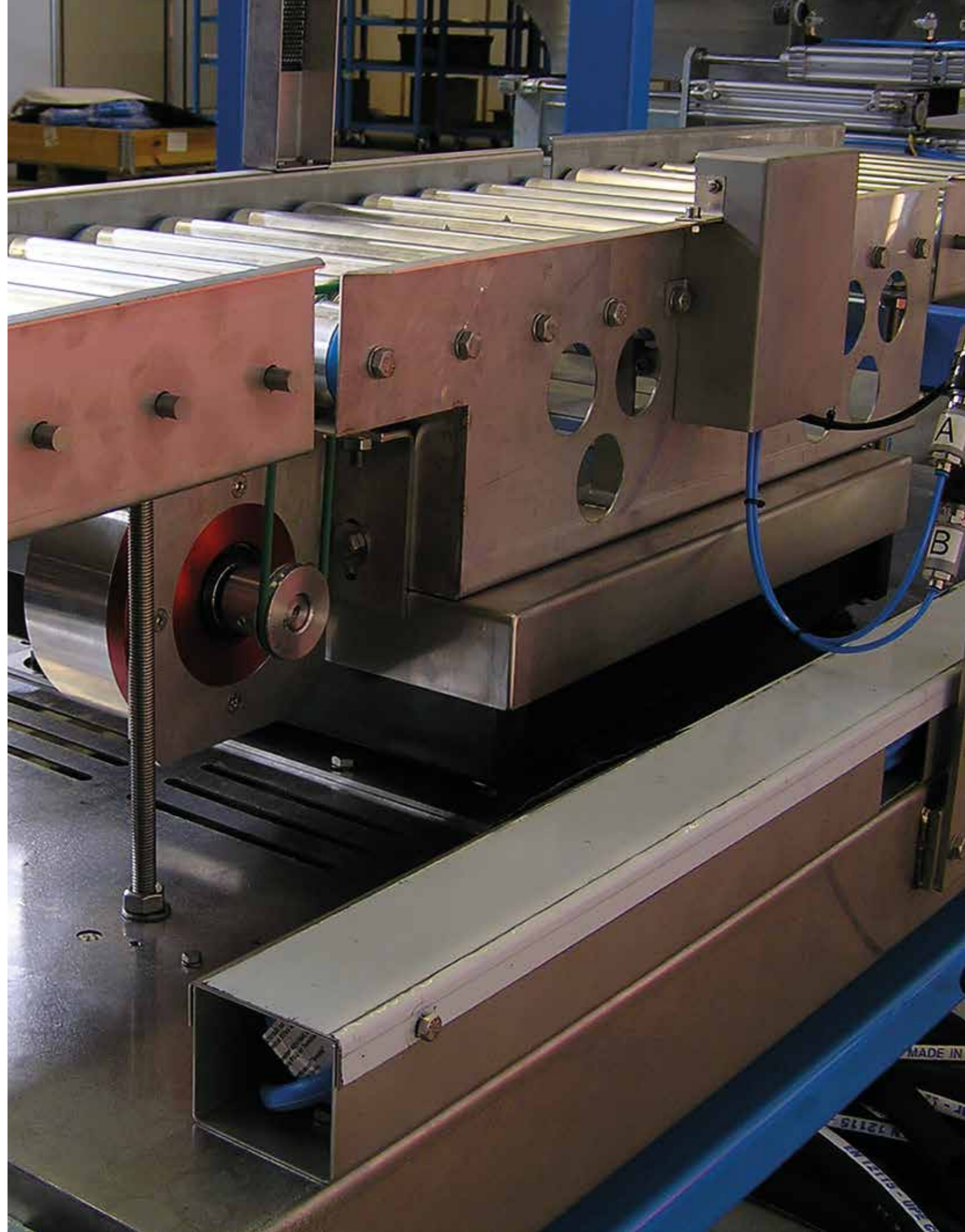
MOTOR SELECTION (EXAMPLE BASED ON V2)



MOTOR SELECTION

Motor performance can be derived from the above graphs as in the examples shown. Where motors are not required to start under load, such as fan drives, selection may be made using either Graph 1 or Graph 3 using the required running torque or power only. For applications where the motor starts under load, such as hoists, winches or track drives, the starting torque in Graph 2 must also be considered.

1. Running torque example: V2 at 80 psi gives 19 lbf.ins. torque at 2000 rpm.
2. Starting torque example: V2 at 80 psi gives 16 lbf.ins. torque.
3. Output power example: V2 at 80 psi gives 0.6 hp at 2000 rpm.
4. Air consumption example: V2 at 80 psi and 2000 rpm requires 40 u.ft./min. free air.





APPLICATIONS OF AIR MOTORS

GLOBE air motors are being used in a large variety of applications. Here you will find some examples of the most common applications in which our air motors are being used.

WINCHES

GLOBE air motors are commonly used in in winching applications. Due to our broad range of gearboxes, brakes and control valve possibilities our air motors are used on many different winches. Please contact us for the possibilities or more information.

AFTER COOLERS

The GLOBE air motors are also used in after coolers. Because our air motors can run in many different speeds they prove themselves to be a perfect match with for after coolers.

CONVEYOR BELTS

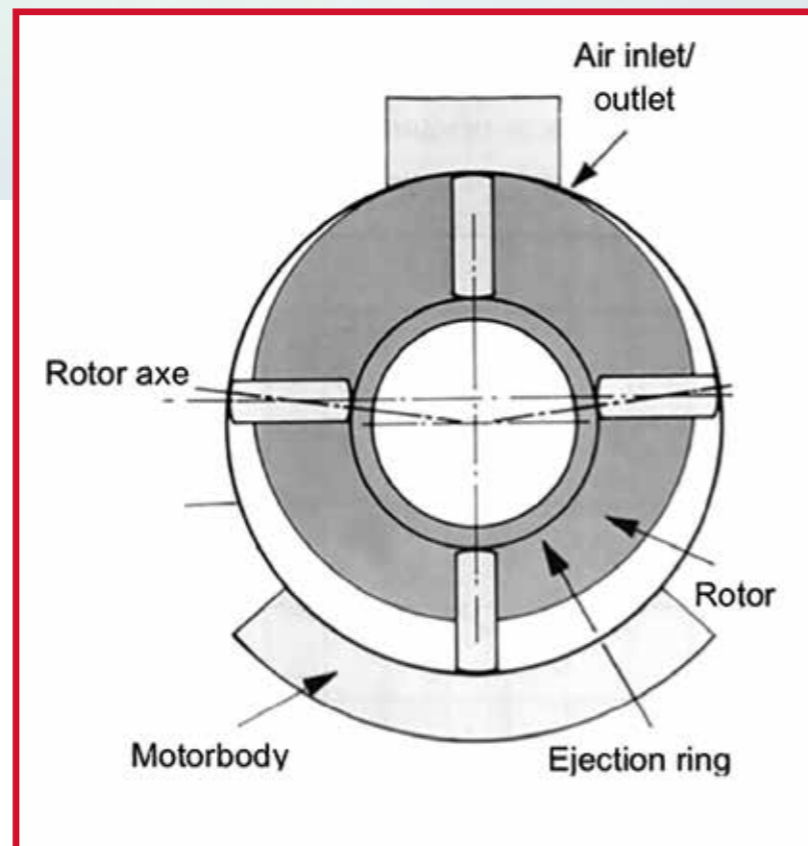
Many companies use our air motors for the drive of their conveyor belts. In combination with a gearbox, brake or control valve the options are many.

MIXING APPLICATIONS

We find our air motors being used in many different mixing applications. That is one of the reasons we have stainless steel air motors or/and motors which can run without lubrication.

PUMP DRIVES

Pumps are also often being driven by our air motors. Our large scope of available power, torque and IEC or NEMA flanges makes our air motors user-friendly in many different situations.



GLOBE VANE AIR MOTORS

ADVANTAGES

Vane air motors offer a unique form of drive and incorporate advantages not found in other prime movers.

These advantages include:

- Simple and inexpensive variable speed and torque control with a flow control valve and/or pressure regulator.
- Intrinsically safe for explosion proof environments. All GLOBE vane air motors are certified according to the European Explosion Directive ATEX II cat. 2 G&D T5 and ATEX I M2.
- Air motors can be stalled indefinitely under load. They will not over heat or burn out.
- Instantly reversible, operated with a simple control valve.
- Controllable over a wide speed range.
- Resistant to warm, dirty and damp conditions. GLOBE vane air motors can be used in ambient temperatures up to 80 °C.
- Minimal maintenance because of simple design which results in less downtime.
- Air motors are compact and light weight compared to equivalent electric motors.
- High reliability and little wear thanks to the low number of moving parts.
- No shock start up which improves the life span of your equipment.
- Variety of mountings which include foot, face, NEMA flanges and IEC flanges.

WHY CHOOSE A GLOBE VANE AIR MOTOR?

NO PINS OR SPRINGS.

The GLOBE blade ejection system consists of an ejection ring which maintains a constant positive blade contact with the motor body. This guarantees the blade position on start up, preventing free air flow from port to port and ensuring the motor produces its rated starting torque. The ejection ring design removes the requirement for pins or springs, the result is low vane wear and a high motor reliability.

THE GLOBE vane air motors can be supplied with a wide range of gearboxes, such as planetary, helical, bevel and worm gears, directly coupled to the motor.

Suitable for running on natural sweet gas and other gasses.

Oil-less function possible under certain operating conditions.

Robust design for operation in harsh environments. Available in a variety of motor interfaces including foot, face, NEMA and IEC flanges. Special adaptations are available on request, consult GLOBE Airmotors BV or your local distributor for more information.



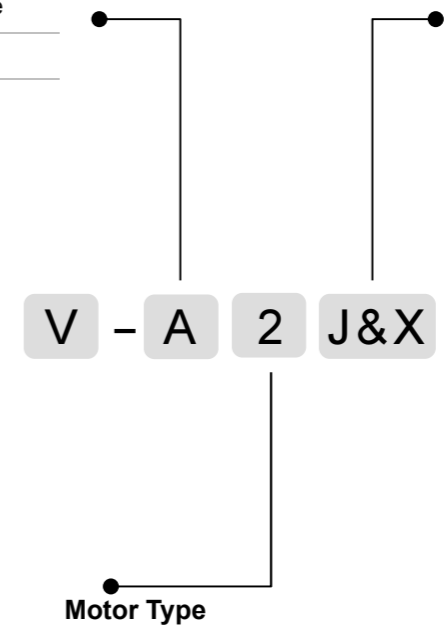
ORDERING CODES

Mounting position

A	Foot, Face or NEMA Flange
S	Metric Flange

Mounting type

J&X	Foot, face mounting
C	Flange mounting (IEC, NEMA)



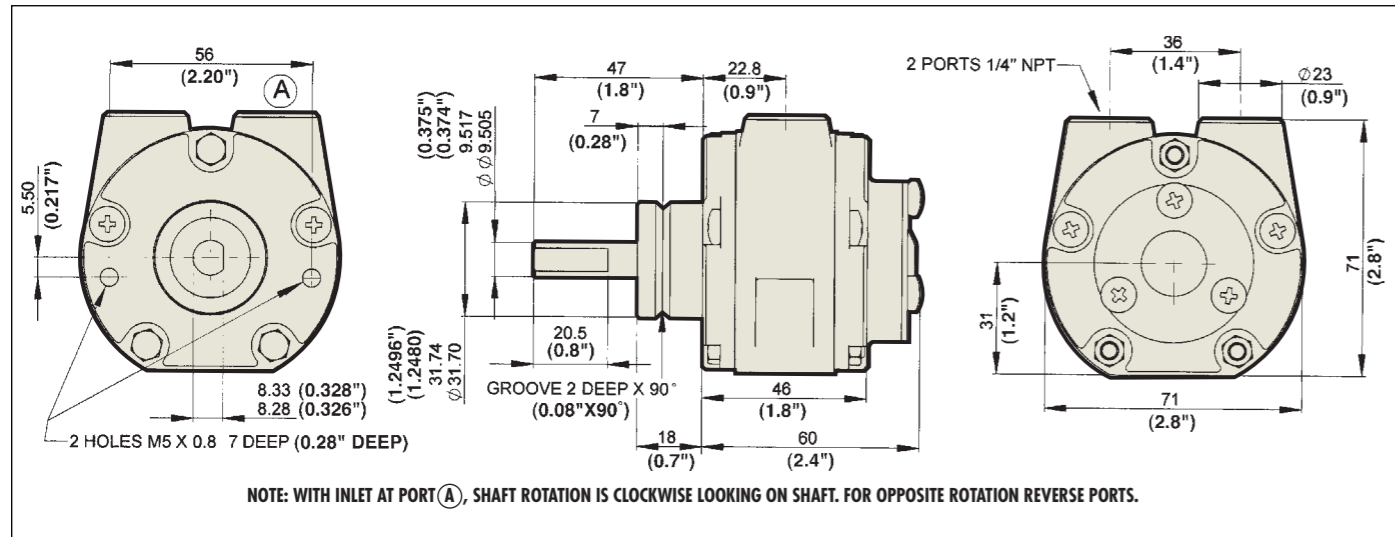
Motor Type

1	0,44 kW / 0,6 hp (only VA1J&X available)
2	0,82 kW / 1,1 hp
4	2,1 kW / 2,8 hp
6	3,4 kW / 4,6 hp
8	5,4 kW / 7,2 hp
10	9,5 kW / 12,8 hp
12	14 kW / 19,1 hp (only in available in flange models)

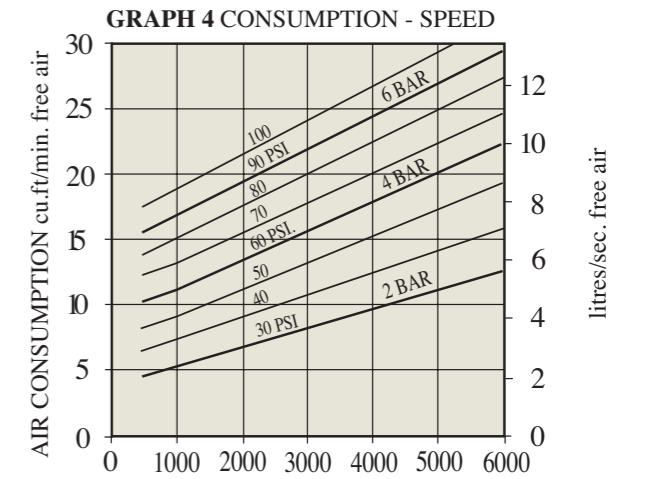
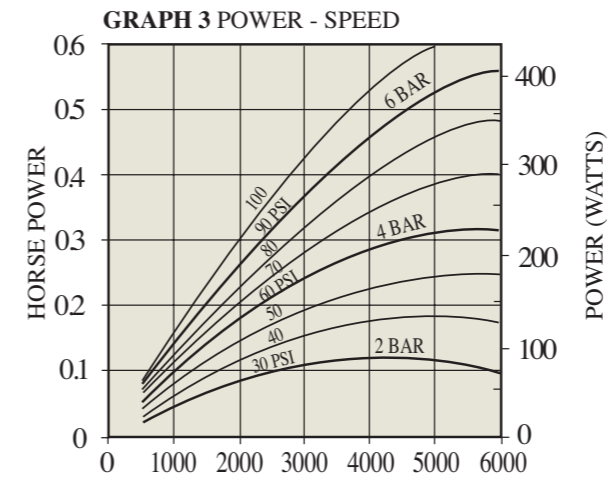
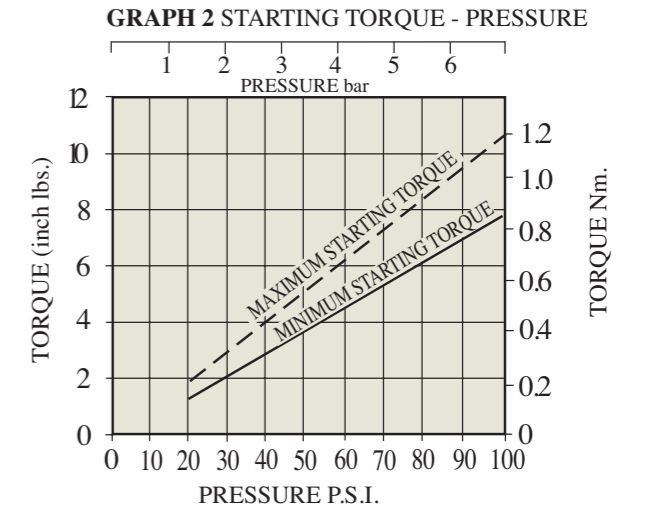
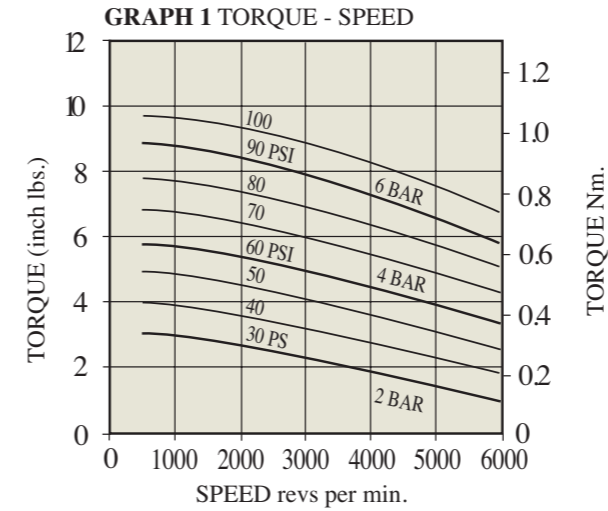
Use the ordering codes to create the GLOBE Vane Air Motor you want.

For example: VA4J&X or VS8C (the VS types are only suitable with a C at the end of the code)

DIMENSIONS V1



PERFORMANCE V1 | 0 - 0.6 HP/0.44 KW REVERSIBLE



ATTITUDE:

The motor can be operated in all orientations.

AIRLINE FILTRATION AND LUBRICATION:

Use 64 micron filtration or better. Choose a lubricator suitable for the flow required. Prior to start up, inject oil into the inlet port.

LUBRICATOR DROP RATE:

4-5 drops per minute continuous operation.
9-12 drops per minute intermittent operation.

POLAR MOMENT OF INERTIA:

0.16 lb.ins² (460 g.cm²).

MAXIMUM OVERHUNG FORCE ON SHAFT:

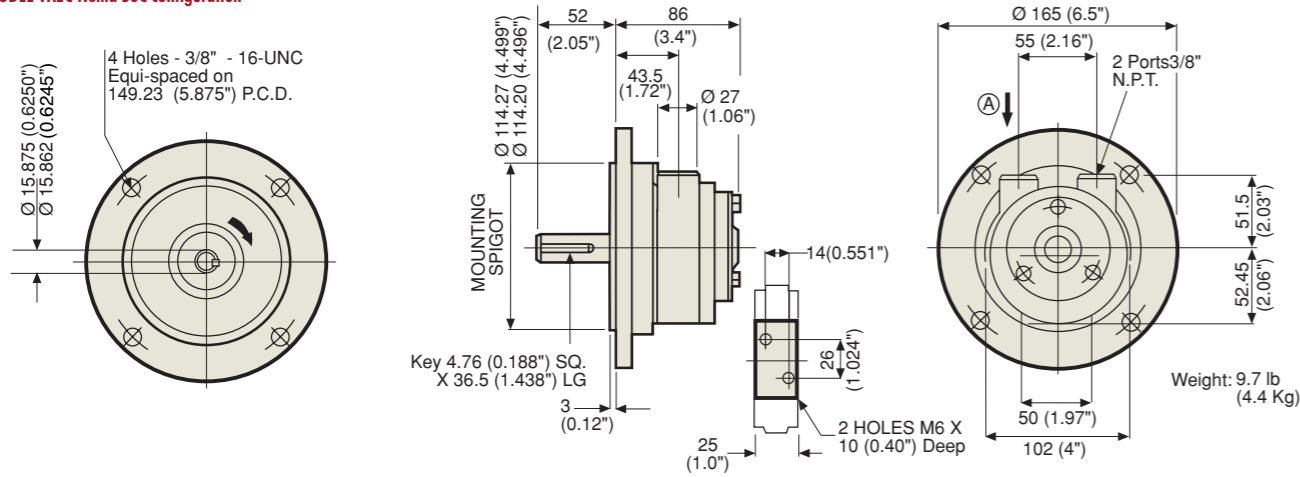
4 lbf (18N) Axial loads should be kept to a minimum. Consult your GLOBE Distributor.

MAXIMUM TEMPERATURES:

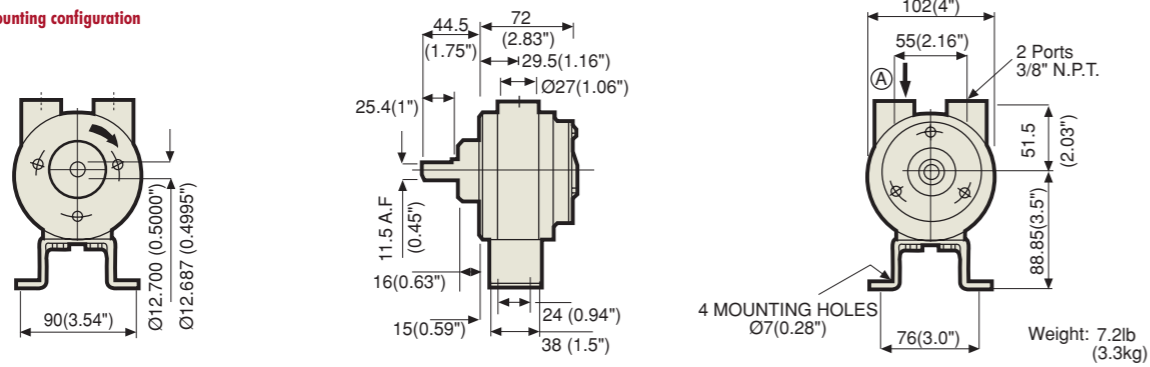
-4° to +176° Fahrenheit. (-20° to +80°C)
Muffler supplied with motor.

DIMENSIONS V2

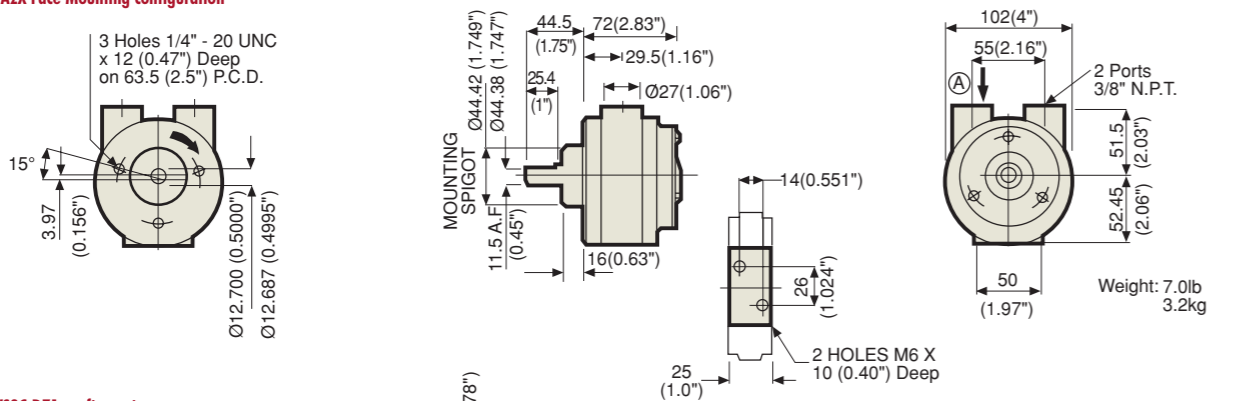
MODEL VA2C Nema 56C configuration



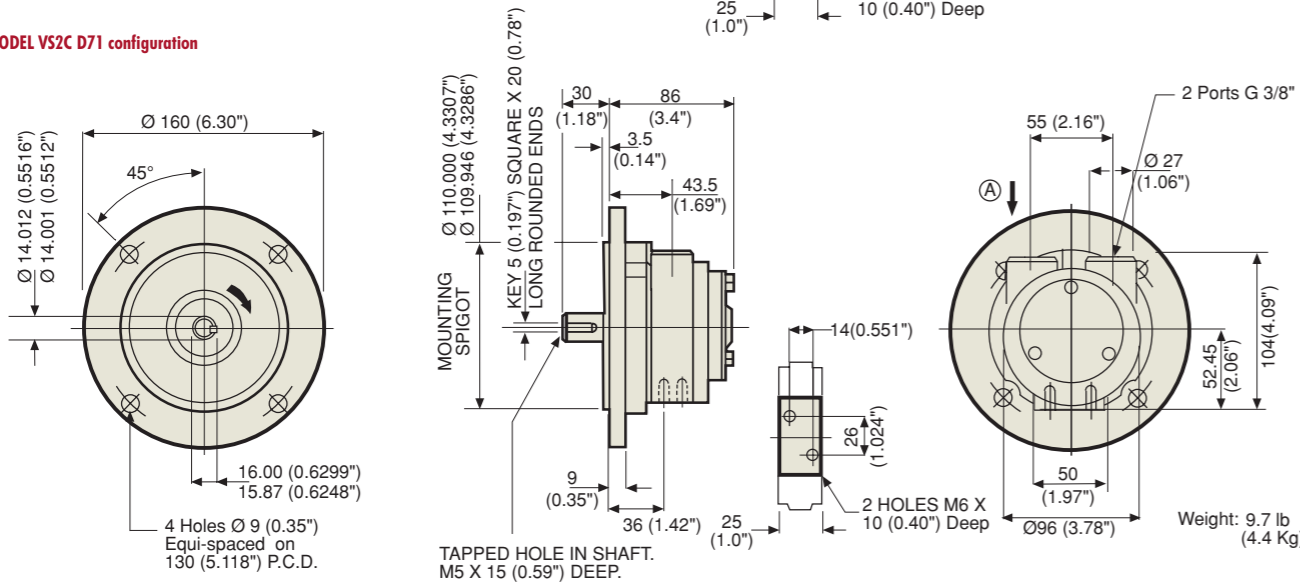
MODEL VA2J Foot Mounting configuration



MODEL VA2X Face Mounting configuration

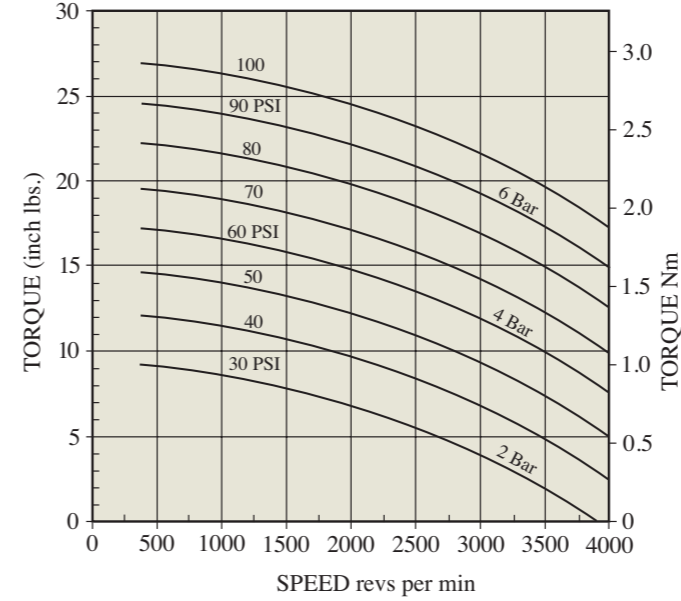


MODEL VS2C D71 configuration

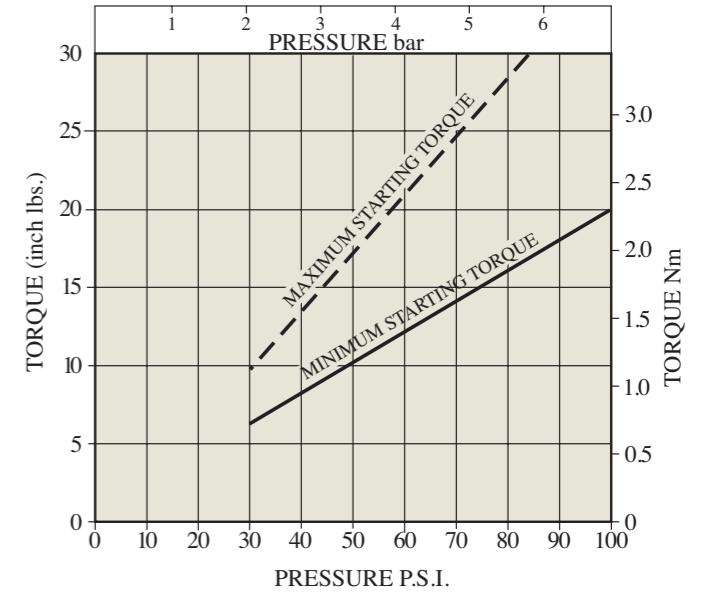


PERFORMANCE V2 | 1.1 HP/0.82KW REVERSIBLE

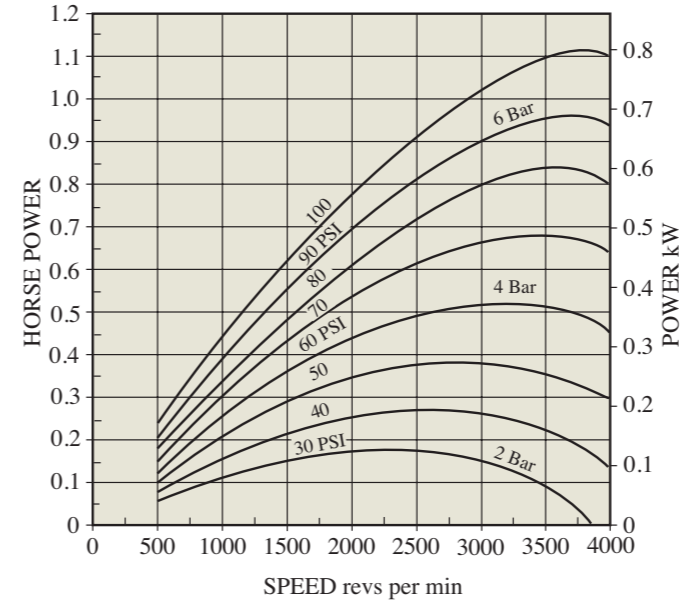
GRAPH 1 TORQUE - SPEED



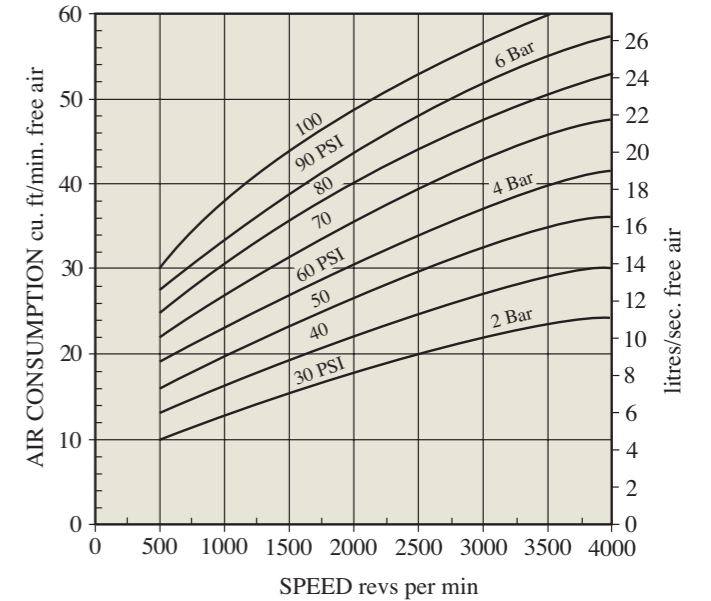
GRAPH 2 STARTING TORQUE - PRESSURE



GRAPH 3 POWER - SPEED



GRAPH 4 CONSUMPTION - SPEED



ATTITUDE:

The motor can be operated in all orientations.

AIRLINE FILTRATION AND LUBRICATION:

Use 64 micron filtration or better. Choose a lubricator suitable for the flow required. Prior to start up, inject oil into the inlet port.

LUBRICATOR DROP RATE:

4-5 drops per minute continuous operation.
9-12 drops per minute intermittent operation.

POLAR MOMENT OF INERTIA:

0.47 lb.ins² (0.139 g.m²).

MAXIMUM OVERHUNG FORCE ON SHAFT:

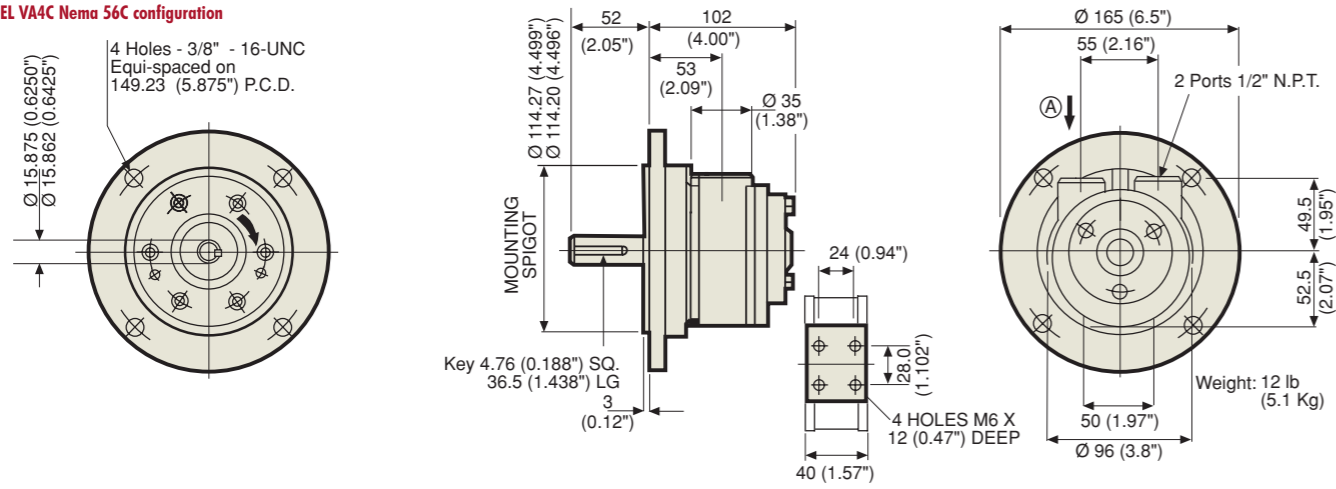
90 lbf (400N) In certain circumstances this may be extended. Consult your GLOBE Distributor. Axial loads should be kept to a minimum.

MAXIMUM TEMPERATURES:

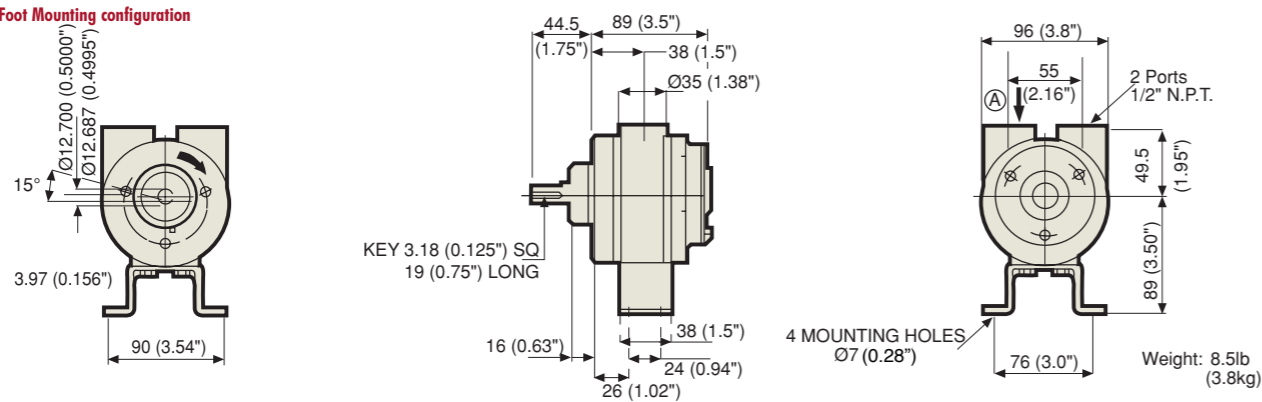
-40° to +176° Fahrenheit. (-20° to +80°C)

DIMENSIONS V4

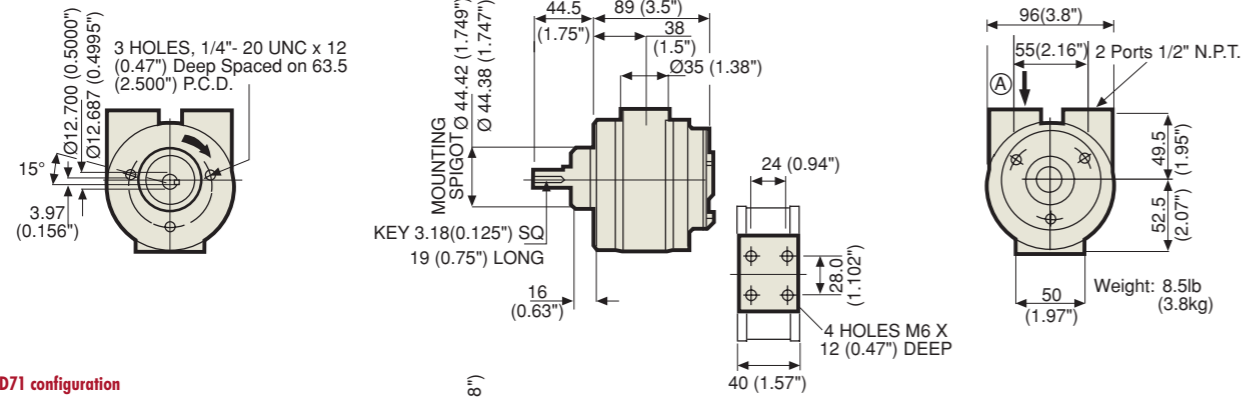
MODEL VA4C Nema 56C configuration



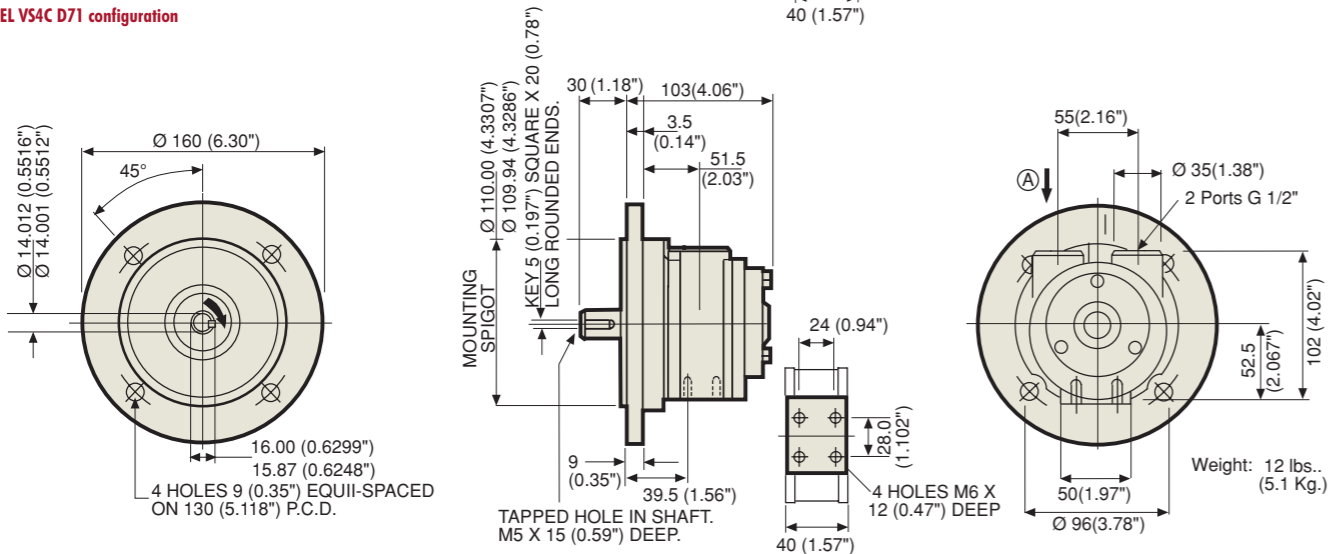
MODEL VA4J Foot Mounting configuration



MODEL VA4X Face Mounting configuration

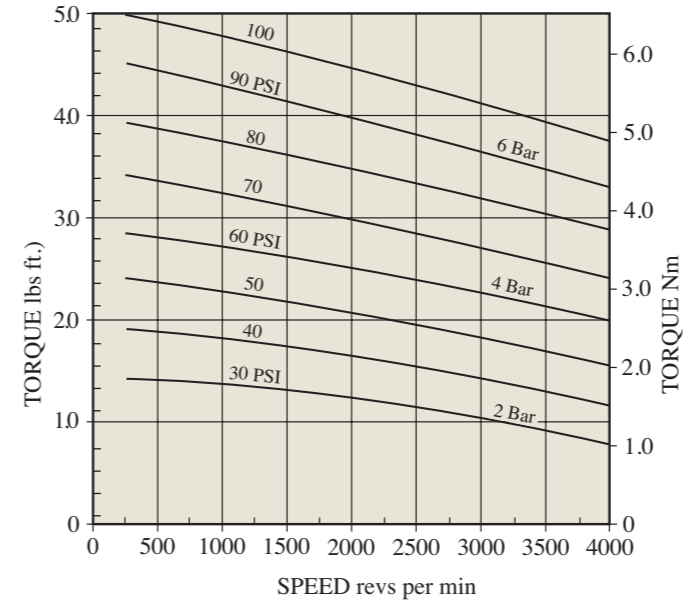


MODEL VS4C D71 configuration

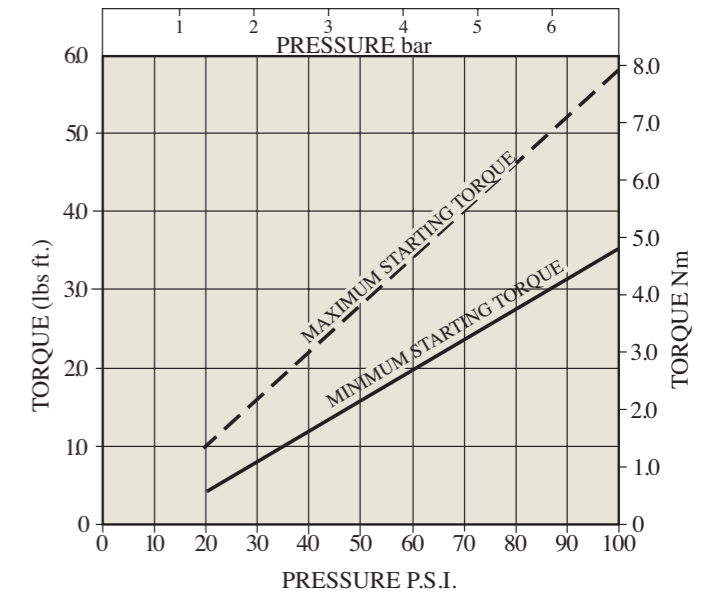


PERFORMANCE V4 | 2.8 HP/2.1 KW REVERSIBLE

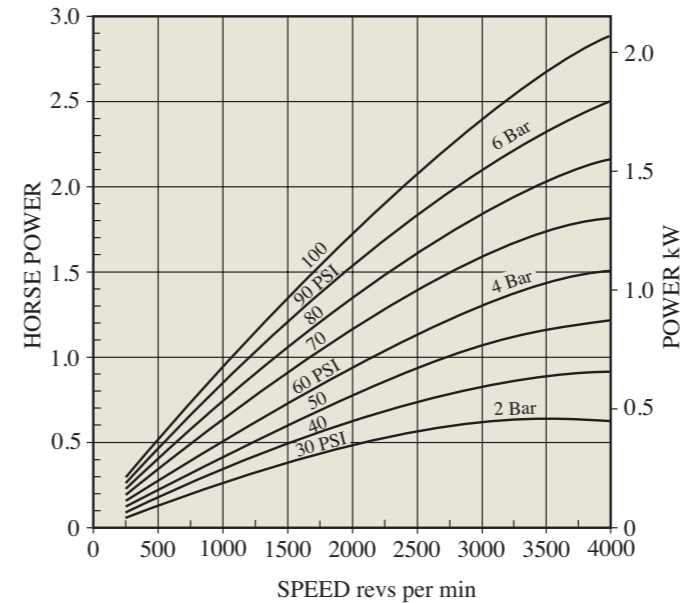
GRAPH 1 TORQUE - SPEED



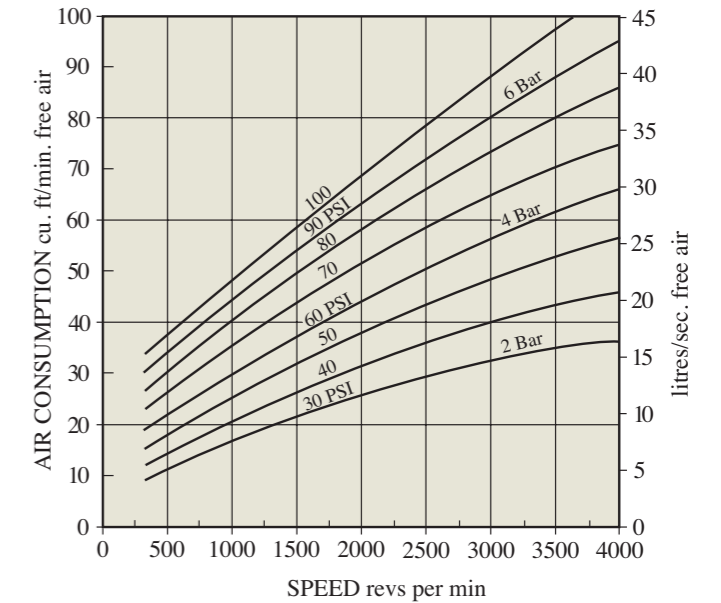
GRAPH 2 STARTING TORQUE - PRESSURE



GRAPH 3 POWER - SPEED



GRAPH 4 CONSUMPTION - SPEED



ATTITUDE:

The motor can be operated in all orientations.

AIRLINE FILTRATION AND LUBRICATION:

Use 64 micron filtration or better. Choose a lubricator suitable for the flow required. Prior to start up, inject oil into the inlet port.

LUBRICATOR DROP RATE:

4-5 drops per minute continuous operation.
9-12 drops per minute intermittent operation.

POLAR MOMENT OF INERTIA:

0.77 lb.ins² (0.226 g.m²).

MAXIMUM OVERHUNG FORCE ON SHAFT:

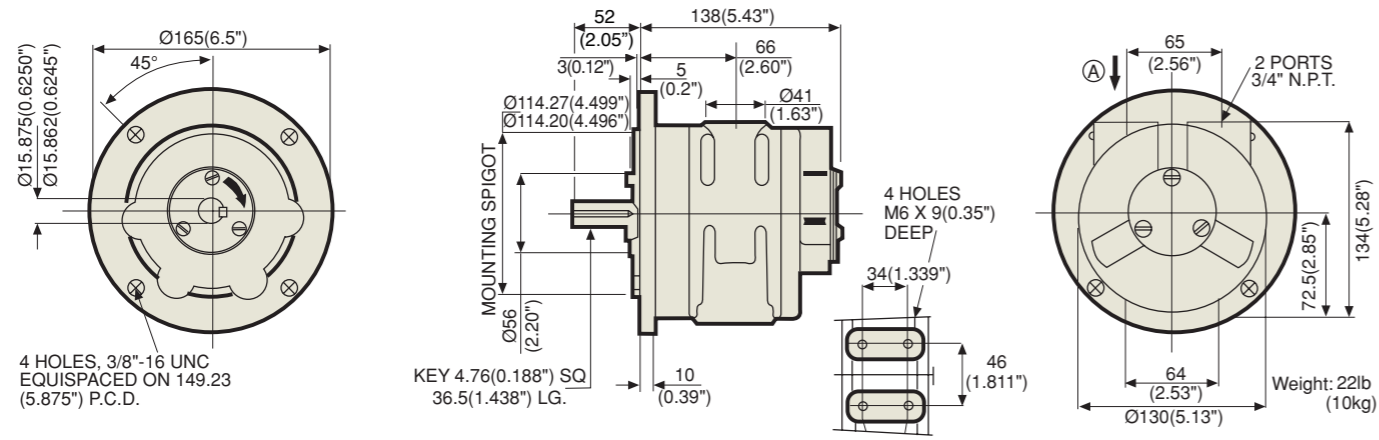
40 lbf (170N) In certain circumstances this may be extended. Consult your GLOBE Distributor. Axial loads should be kept down to a minimum.

MAXIMUM TEMPERATURES:

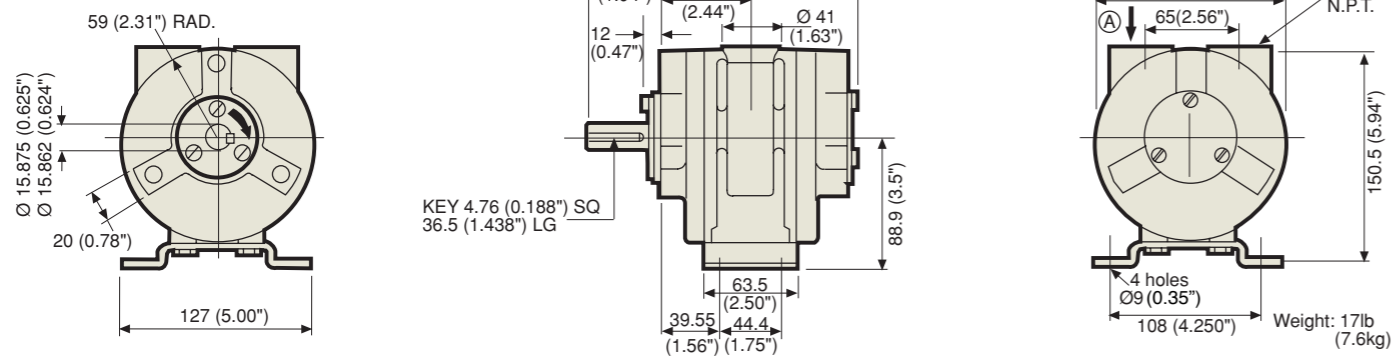
-40° to +176° Fahrenheit. (-20° to +80° C)

DIMENSIONS V6

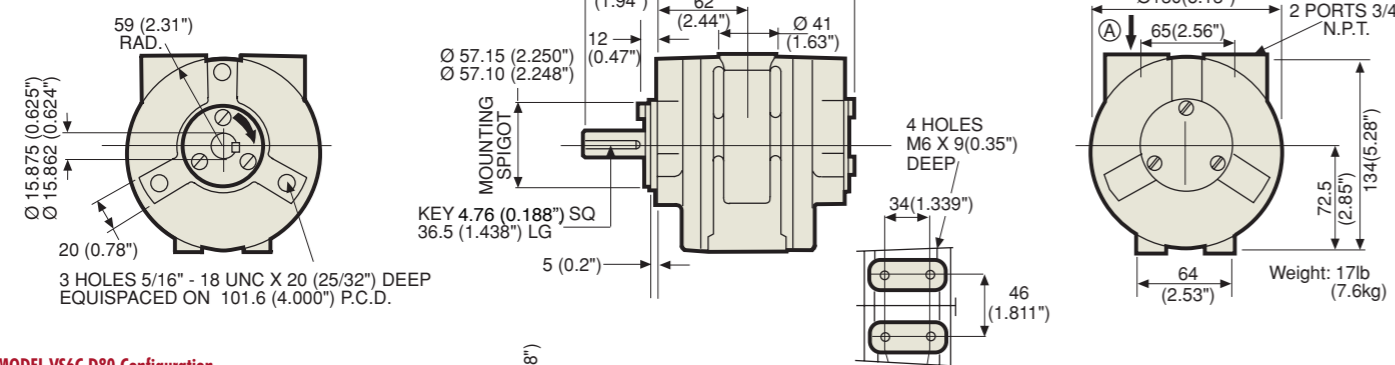
MODEL VA6C Nema 56C Configuration



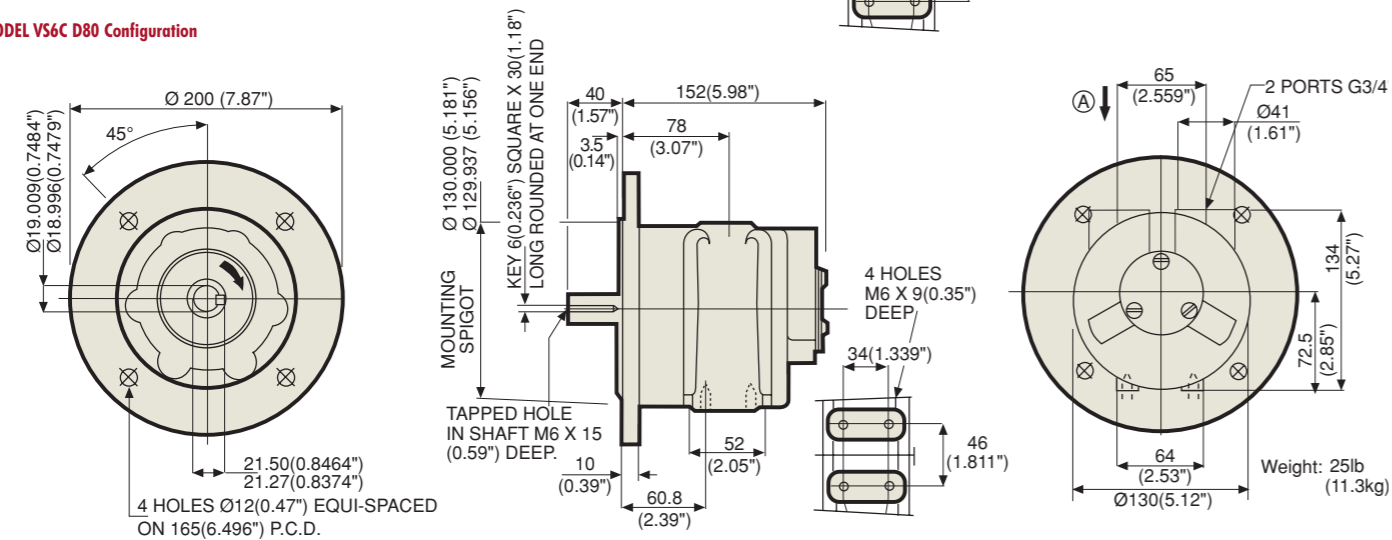
MODEL VA6J Foot Mounting Configuration



MODEL VA6X Face Mounting Configuration

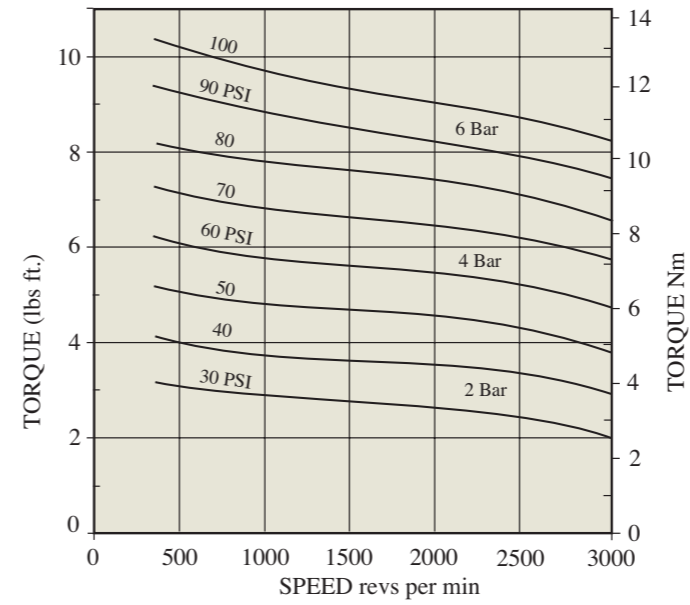


MODEL VS6C D80 Configuration

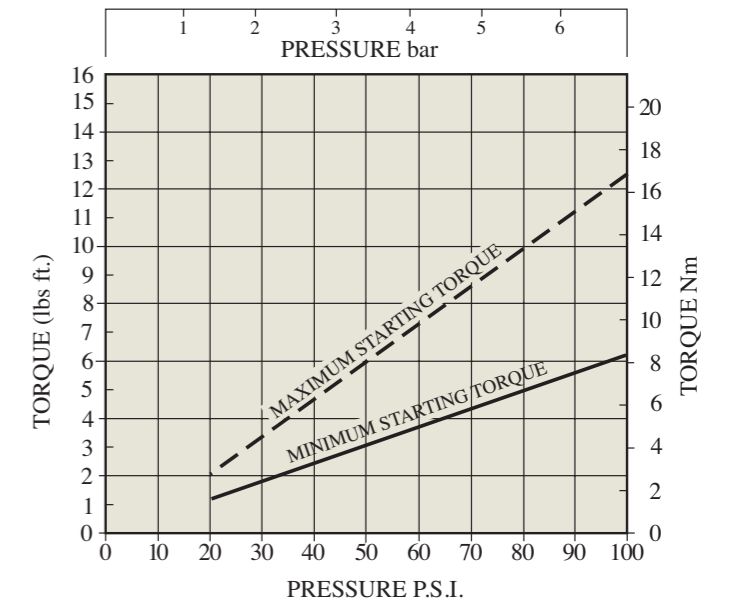


PERFORMANCE V6 | 4.6 HP / 3.4 KW REVERSIBLE

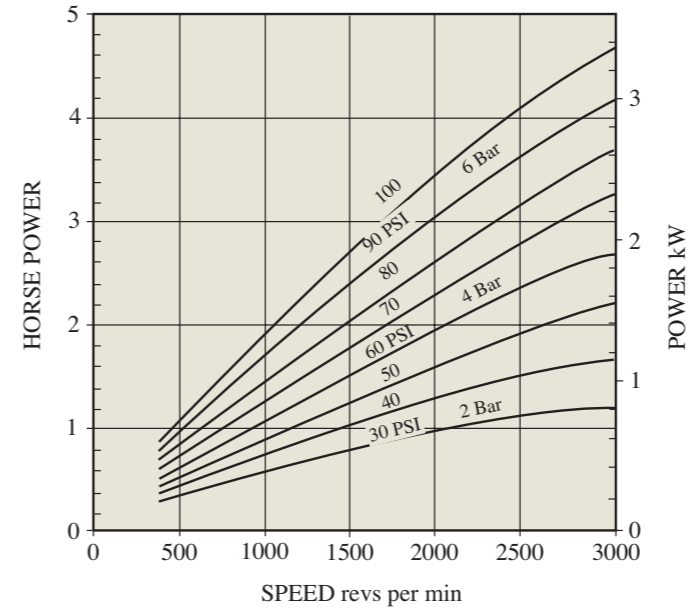
GRAPH 1 TORQUE - SPEED



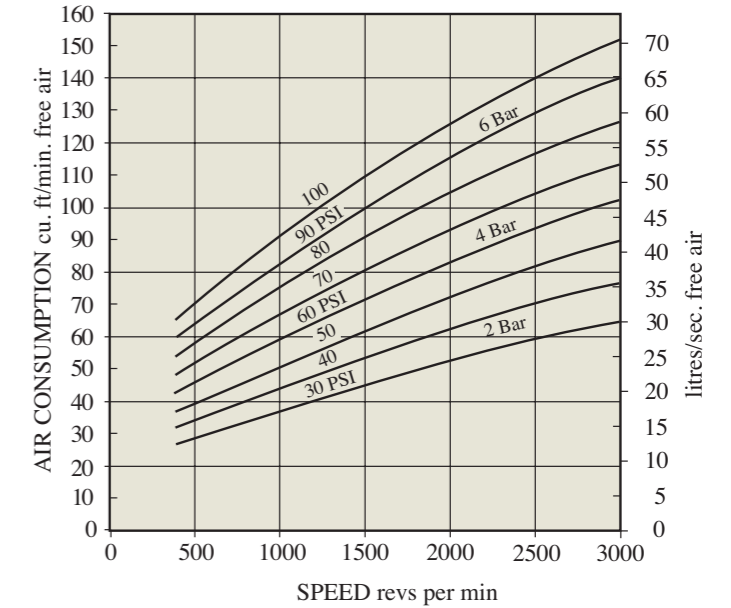
GRAPH 2 STARTING TORQUE - PRESSURE



GRAPH 3 POWER - SPEED



GRAPH 4 CONSUMPTION - SPEED



ATTITUDE:

The motor can be operated in all orientations.

AIRLINE FILTRATION AND LUBRICATION:

Use 64 micron filtration or better. Choose a lubricator suitable for the flow required. Prior to start up, inject oil into the inlet port.

LUBRICATOR DROP RATE:

5-6 drops per minute continuous operation.
10-12 drops per minute intermittent operation.

POLAR MOMENT OF INERTIA:

1.56 lb.ins² (0.45 g.m²).

MAXIMUM OVERHUNG FORCE ON SHAFT:

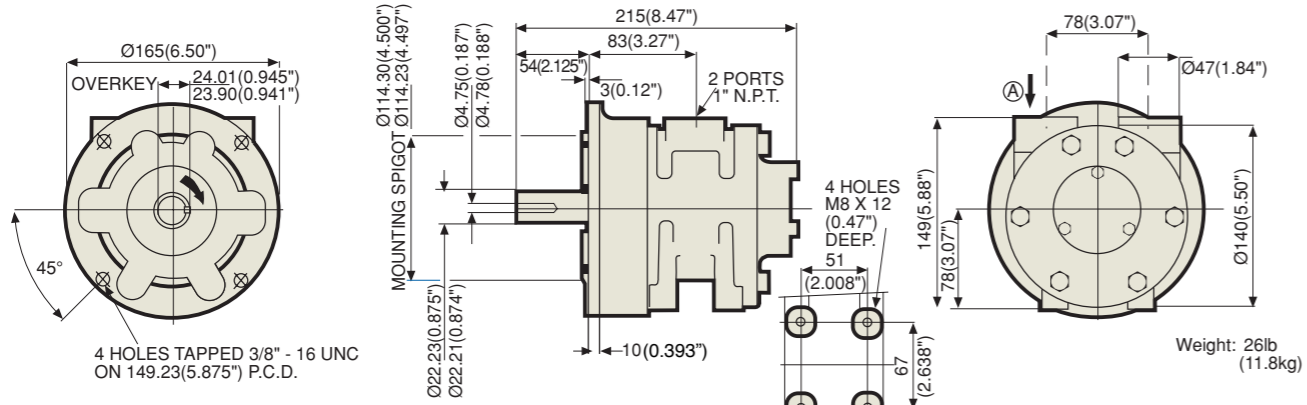
70 lbf (300N) In certain circumstances this may be extended. Consult your GLOBE Distributor. Axial loads should be kept down to a minimum.

MAXIMUM TEMPERATURES:

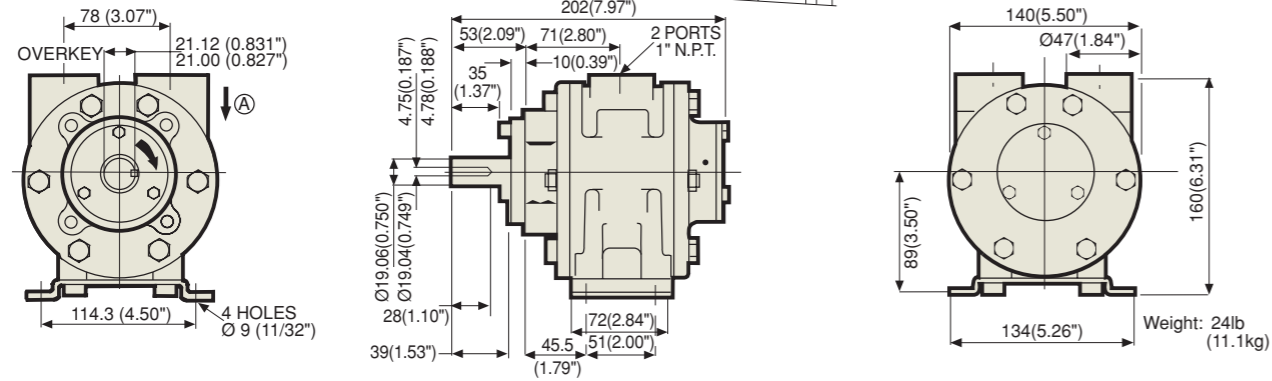
-40° to +176° Fahrenheit. (-20° to +80° C)

DIMENSIONS V8

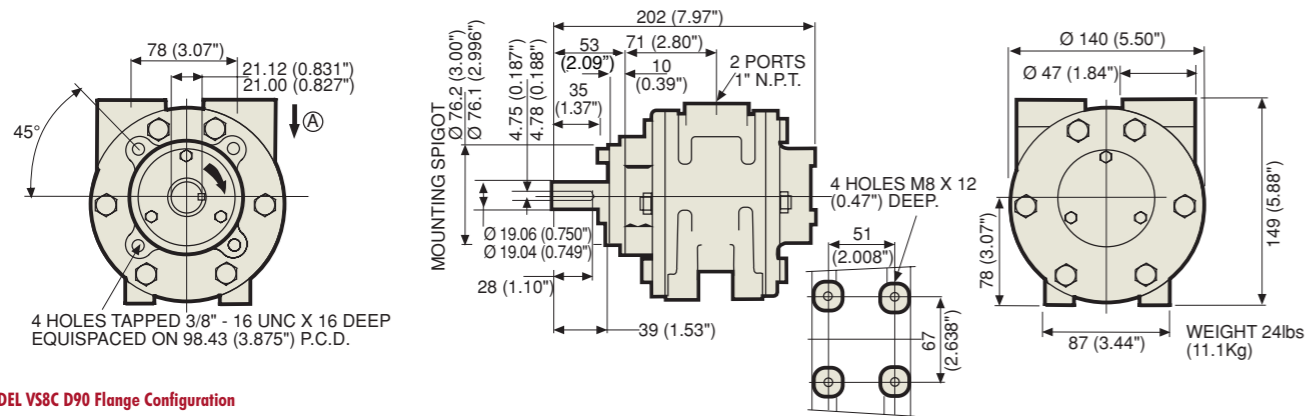
MODEL VA8C I45 TC Configuration



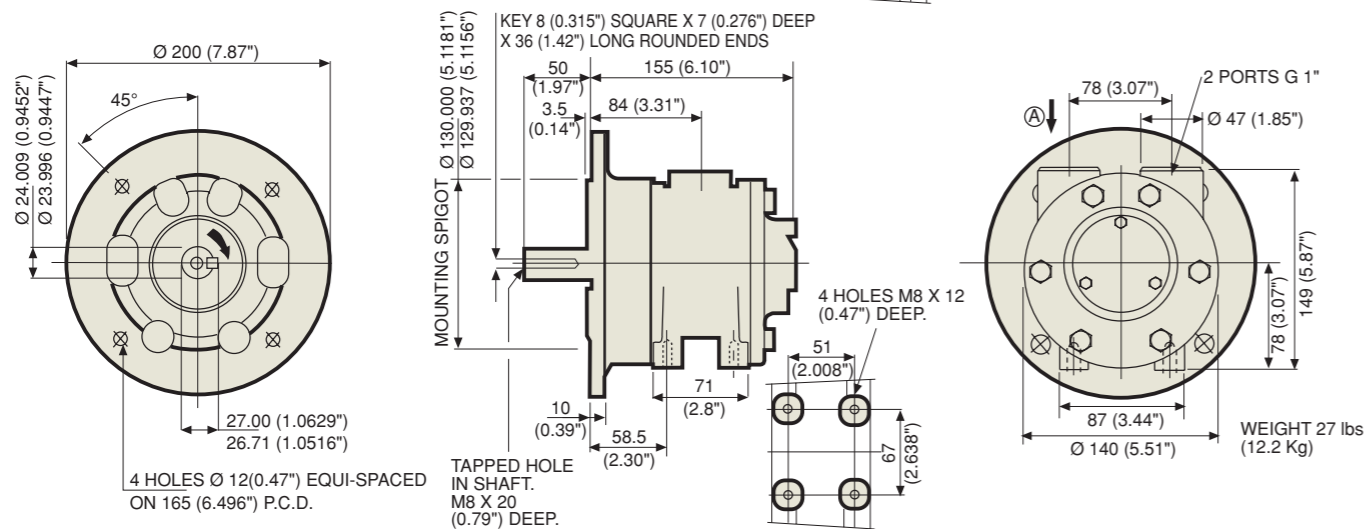
MODEL VA8J Foot Mounting Configuration



MODEL VA8X Face Mounting Configuration

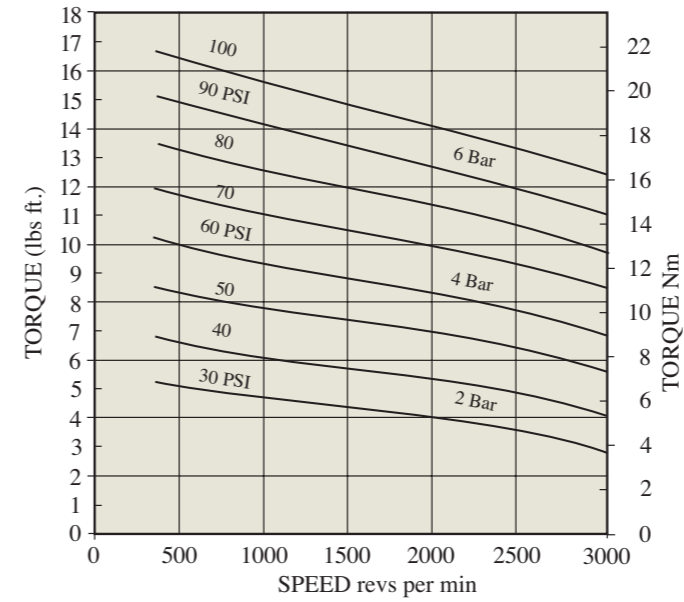


MODEL VS8C D90 Flange Configuration

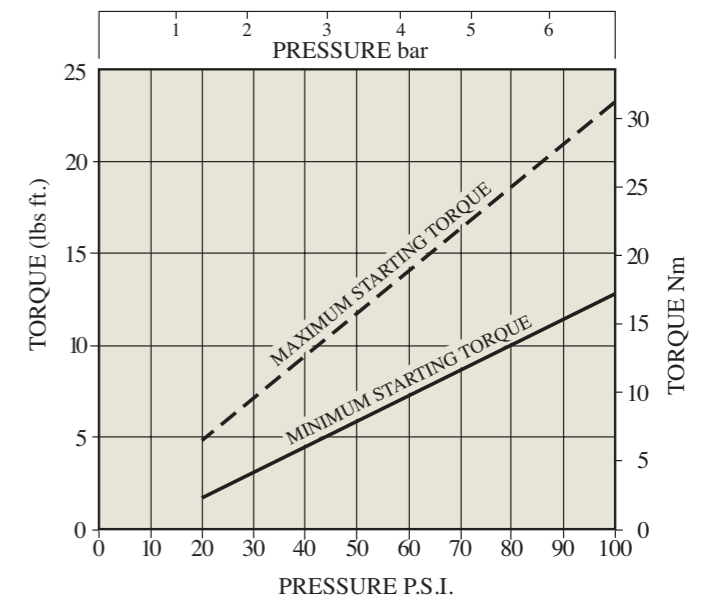


PERFORMANCE V8 | 7.2 HP/5.4 KW REVERSIBLE

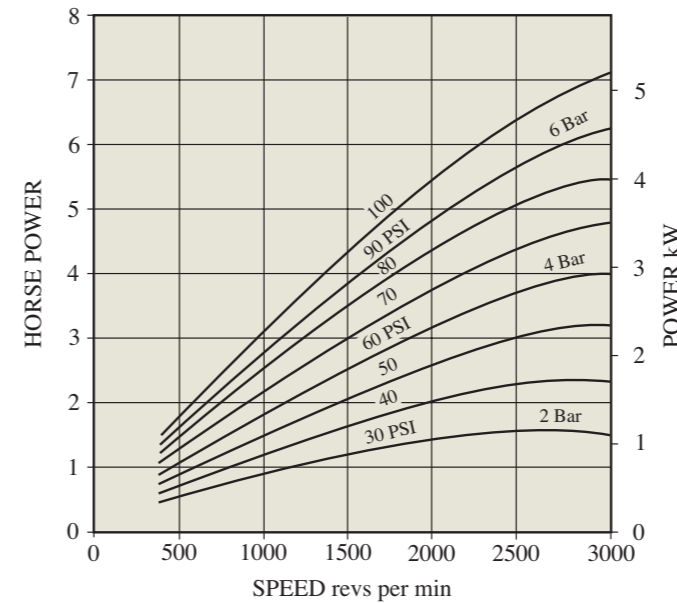
GRAPH 1 TORQUE - SPEED



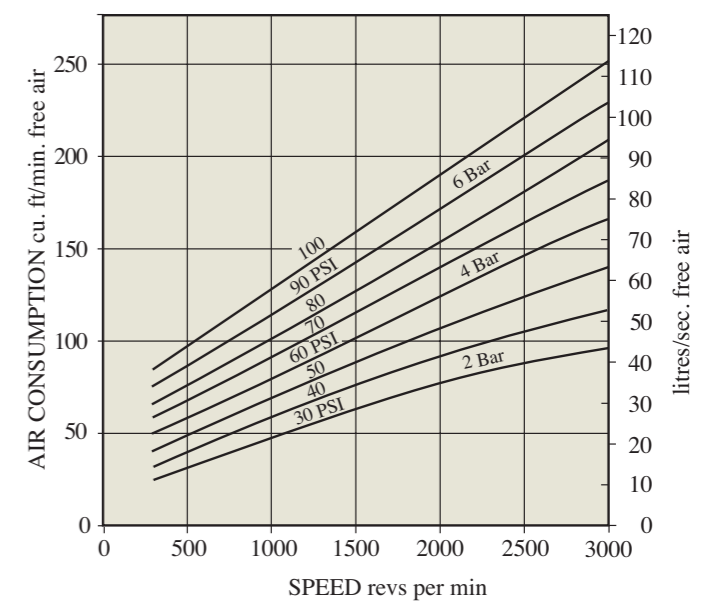
GRAPH 2 STARTING TORQUE - PRESSURE



GRAPH 3 POWER - SPEED



GRAPH 4 CONSUMPTION - SPEED



ATTITUDE:

The motor can be operated in all orientations.

AIRLINE FILTRATION AND LUBRICATION:

Use 64 micron filtration or better. Choose a lubricator suitable for the flow required. Prior to start up, inject oil into the inlet port.

LUBRICATOR DROP RATE:

6-7 drops per minute continuous operation.
12-15 drops per minute intermittent operation.

POLAR MOMENT OF INERTIA:

3.5 lb.ins² (1.02 g.m²).

MAXIMUM OVERHUNG FORCE ON SHAFT:

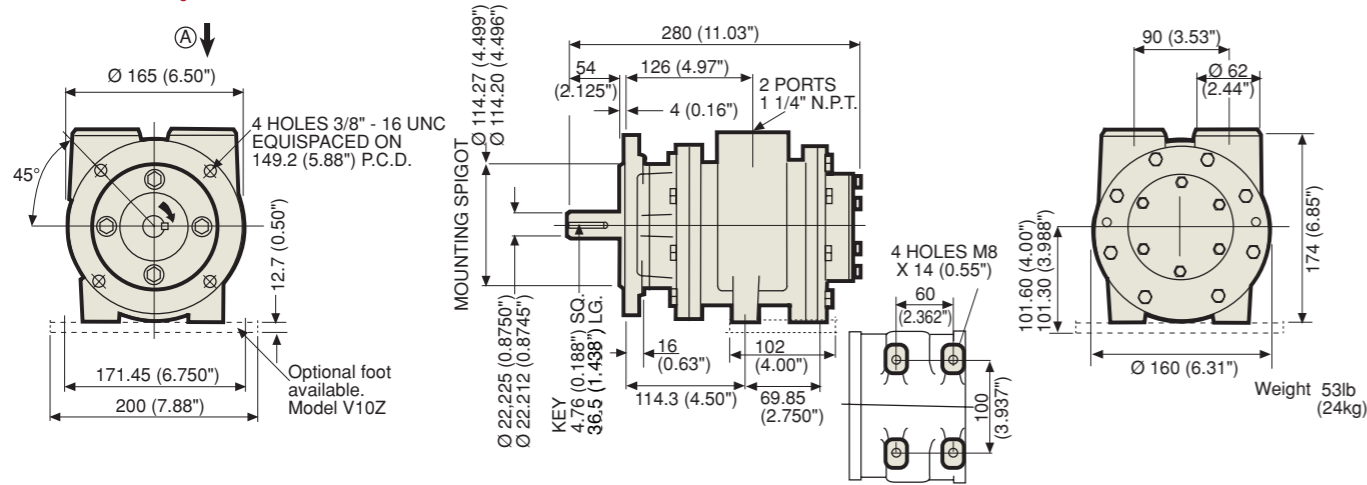
140 lbf (620N) In certain circumstances this may be extended. Consult your GLOBE Distributor. Axial loads should be kept down to a minimum.

MAXIMUM TEMPERATURES:

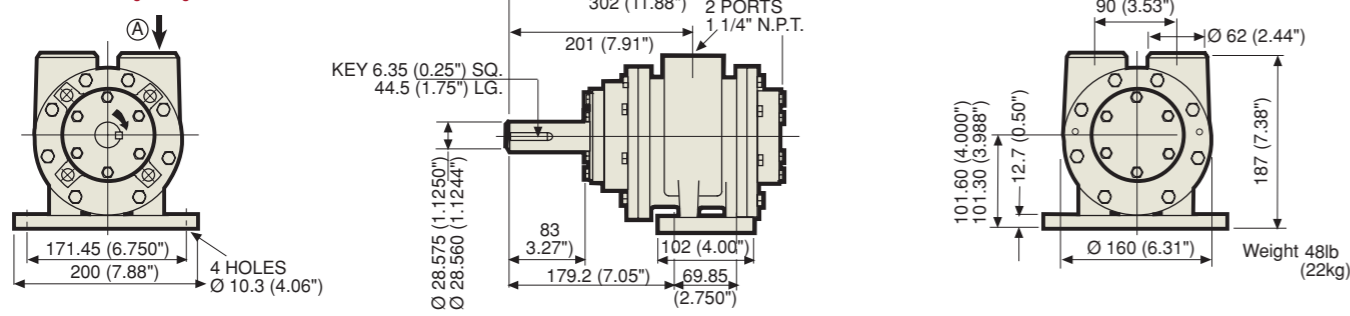
-40° to +176° Fahrenheit. (-20° to +80° C)

DIMENSIONS V10

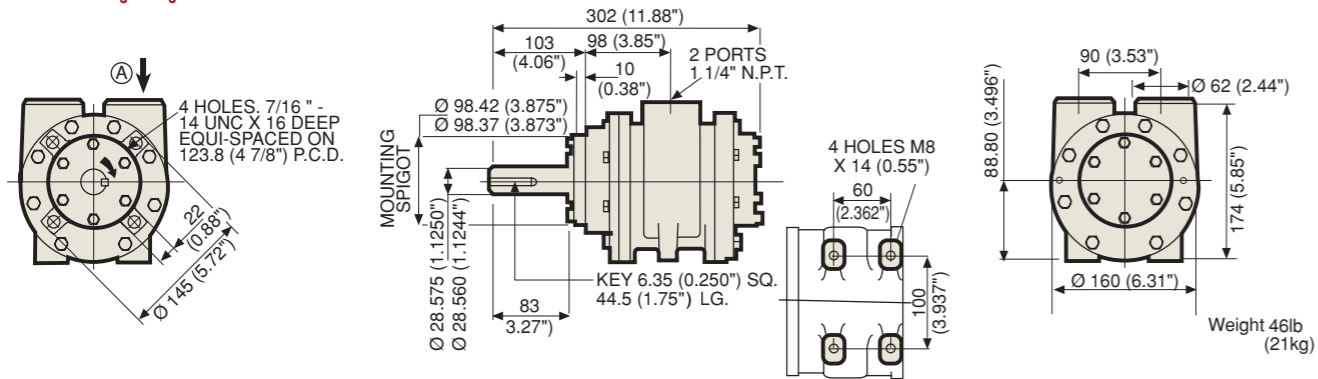
MODEL VA10C 145 TC Configuration



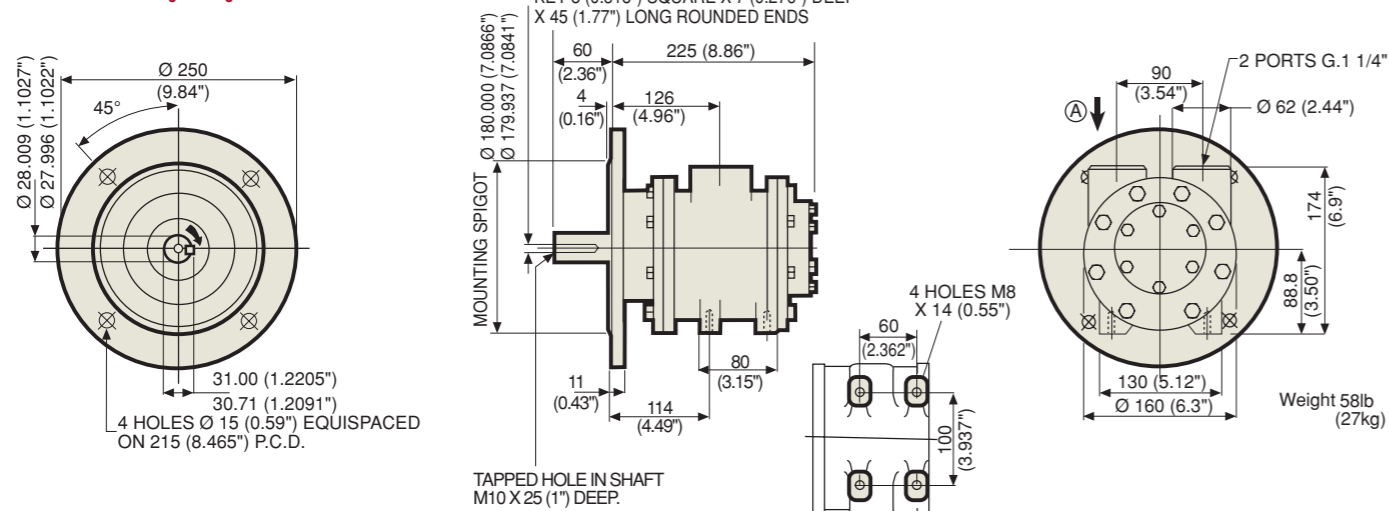
MODEL VA10J Foot Mounting Configuration



MODEL VA10X Face Mounting Configuration

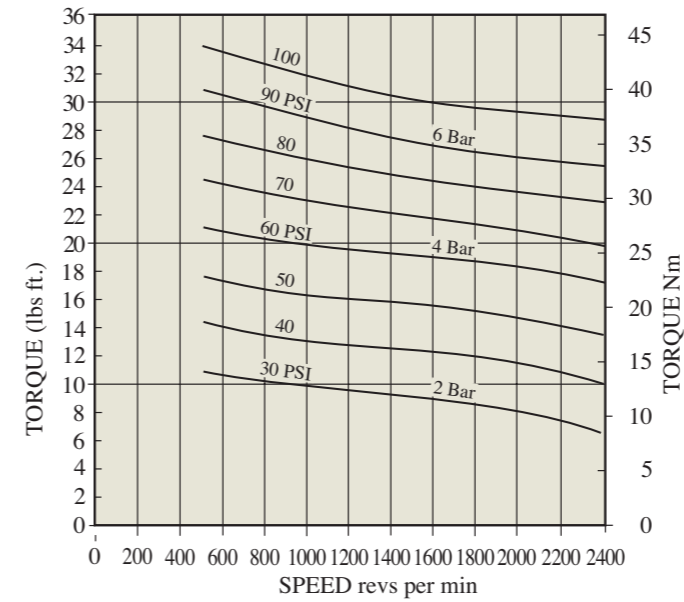


MODEL VS10C D100 Flange Configuration

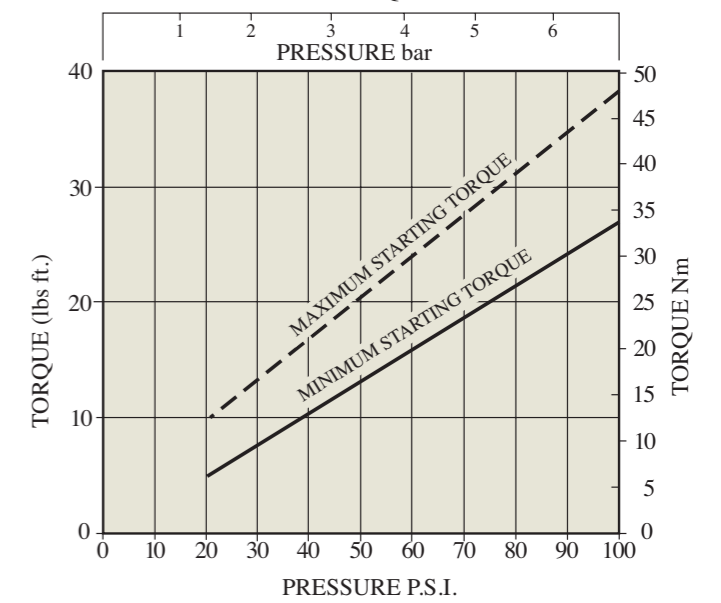


PERFORMANCE V10 | 12.8 HP/9.5 KW REVERSIBLE

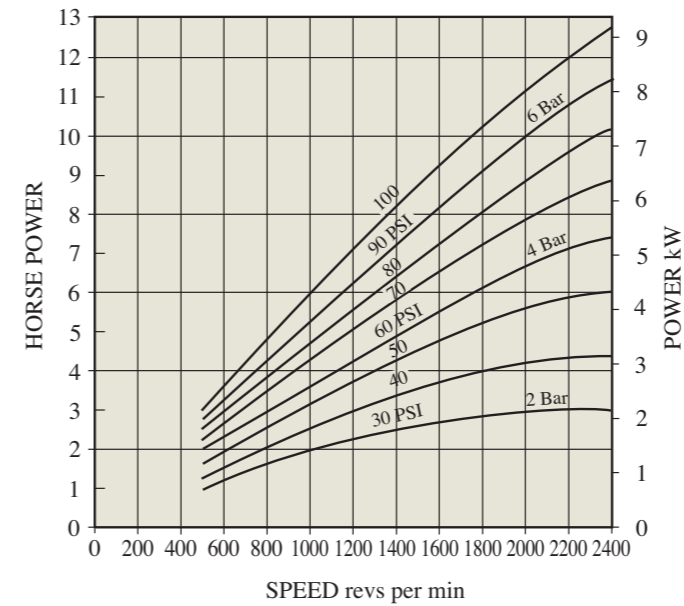
GRAPH 1 TORQUE - SPEED



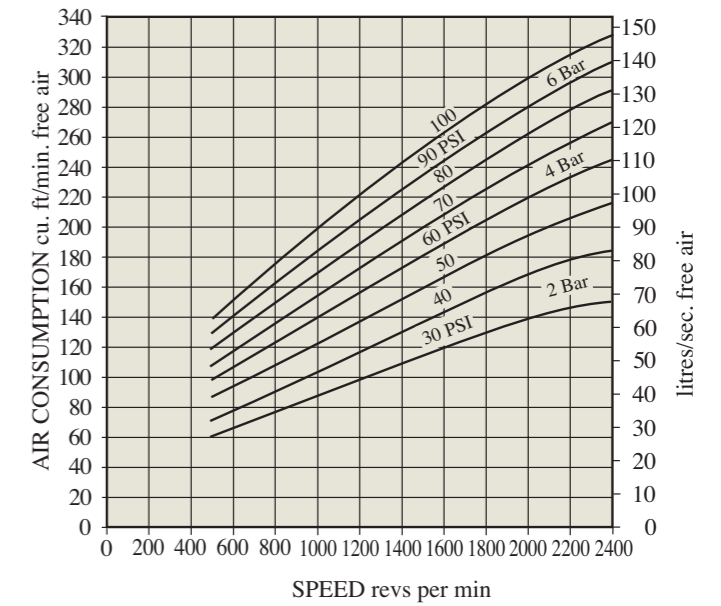
GRAPH 2 STARTING TORQUE - PRESSURE



GRAPH 3 POWER - SPEED



GRAPH 4 CONSUMPTION - SPEED



ATTITUDE:

The motor can be operated in all orientations.

AIRLINE FILTRATION AND LUBRICATION:

Use 64 micron filtration or better. Choose a lubricator suitable for the flow required. Prior to start up, inject oil into the inlet port.

LUBRICATOR DROP RATE:

8-10 drops per minute continuous operation.
14-16 drops per minute intermittent operation.

POLAR MOMENT OF INERTIA:

30 lb.in² (8.8 g.m²).

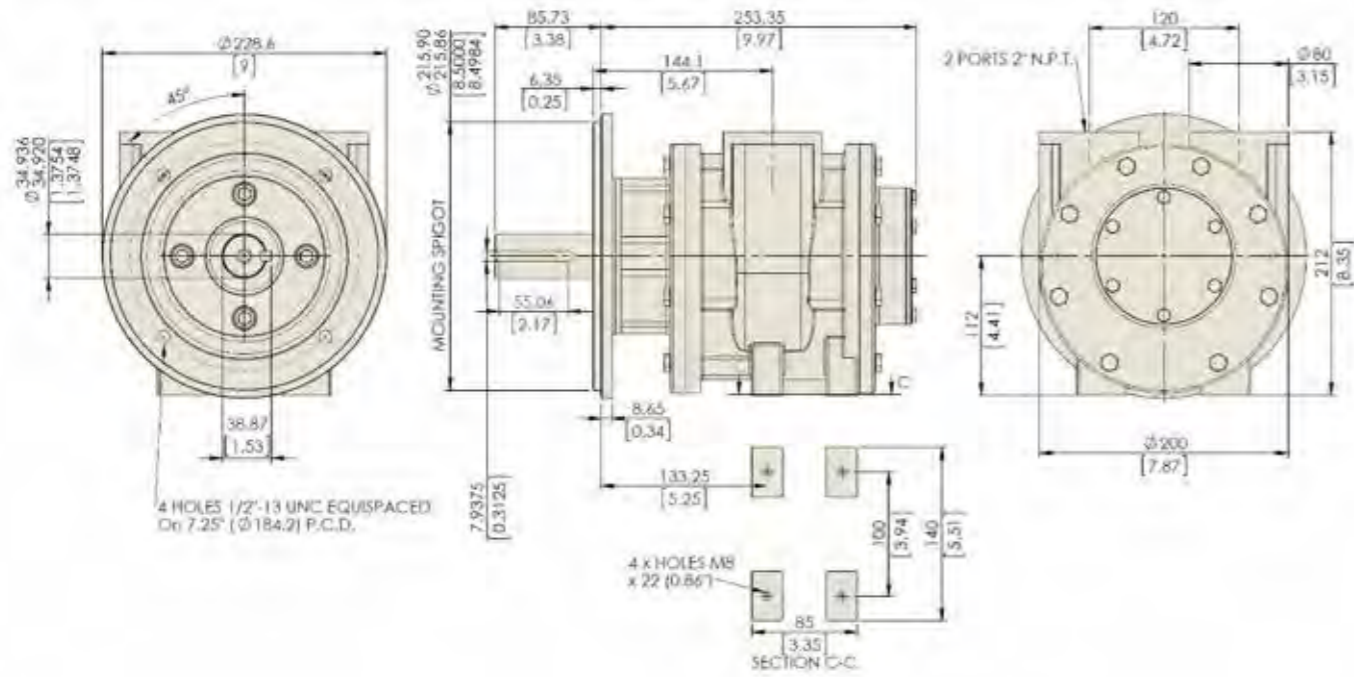
MAXIMUM OVERHUNG FORCE ON SHAFT:

400 lbf (1750N) In certain circumstances this may be extended. Consult your GLOBE Distributor. Axial loads should be kept down to a minimum.

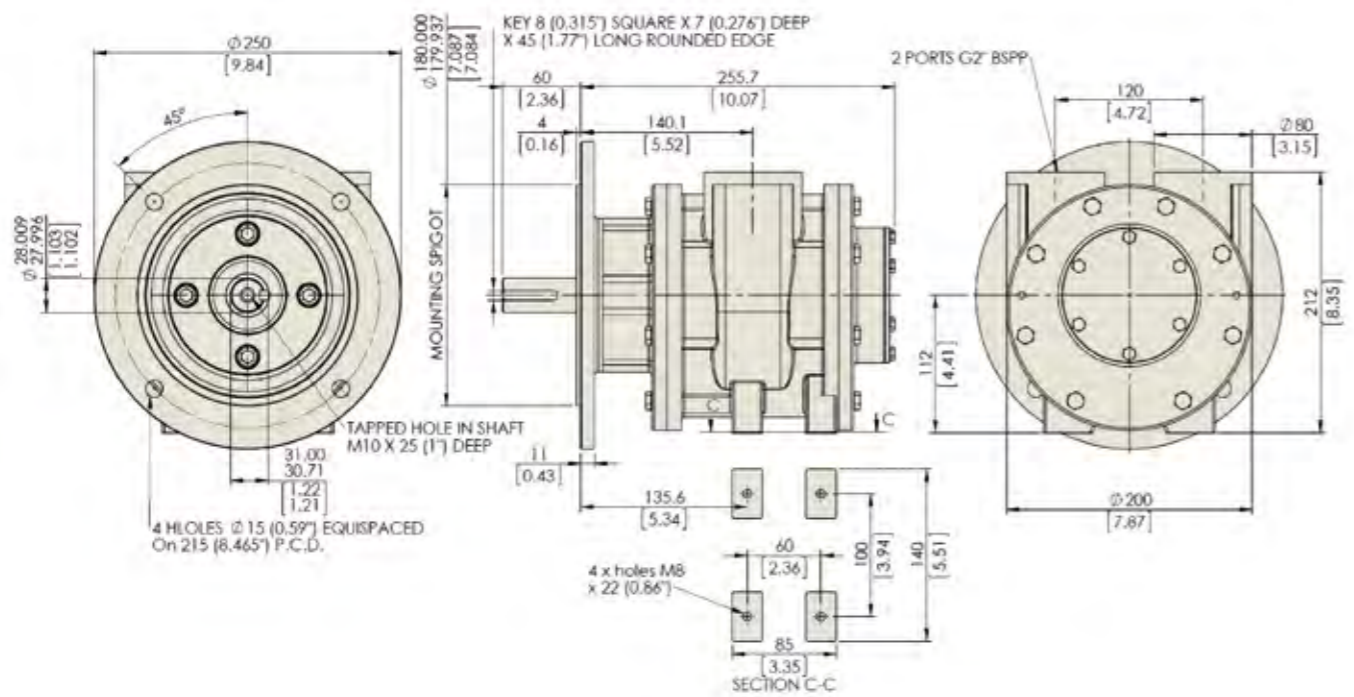
MAXIMUM TEMPERATURES:

-40° to +176° Fahrenheit. (-20° to +80° C)

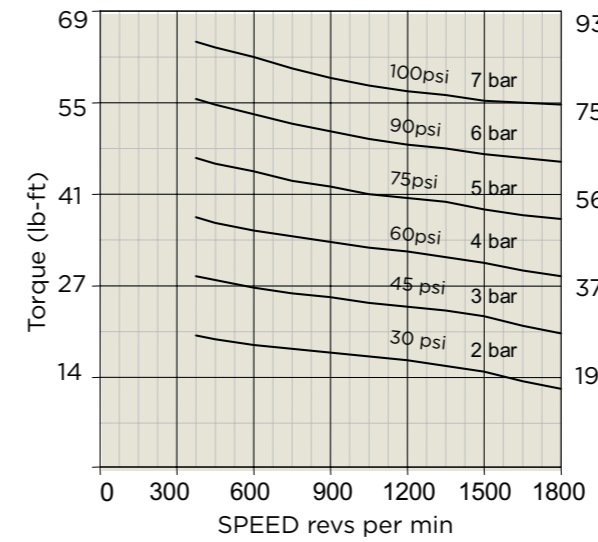
MODEL VA12C Nema 215T Configuration



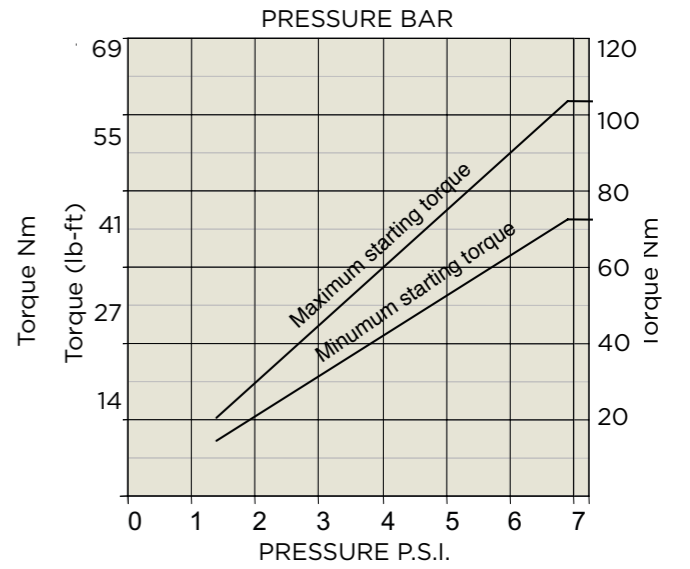
MODEL VS12C D100 Flange Configuration



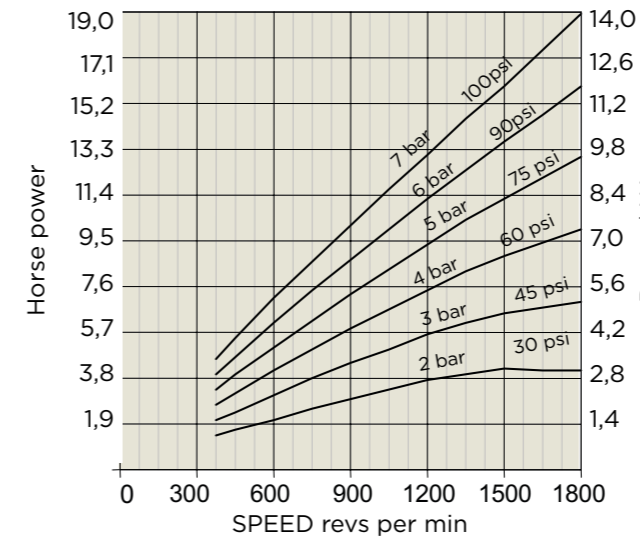
TORQUE - SPEED



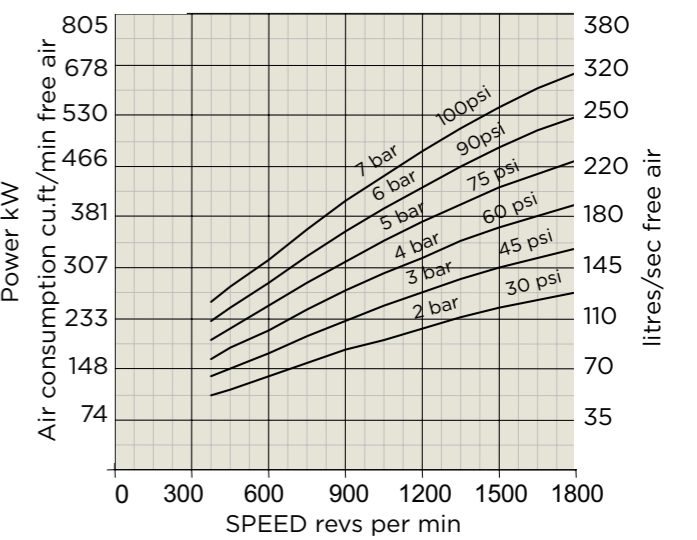
TORQUE - PRESSURE



POWER - SPEED



AIR CONSUMPTION - SPEED



ATTITUDE:

The motor can be operated in all orientations.

AIRLINE FILTRATION AND LUBRICATION:

Use 64 micron filtration or better. Choose a lubricator suitable for the flow required. Prior to start up, inject oil into the inlet port.

LUBRICATOR DROP RATE:

12-14 drops per minute continuous operation.
18-20 drops per minute intermittent operation.

POLAR MOMENT OF INERTIA:

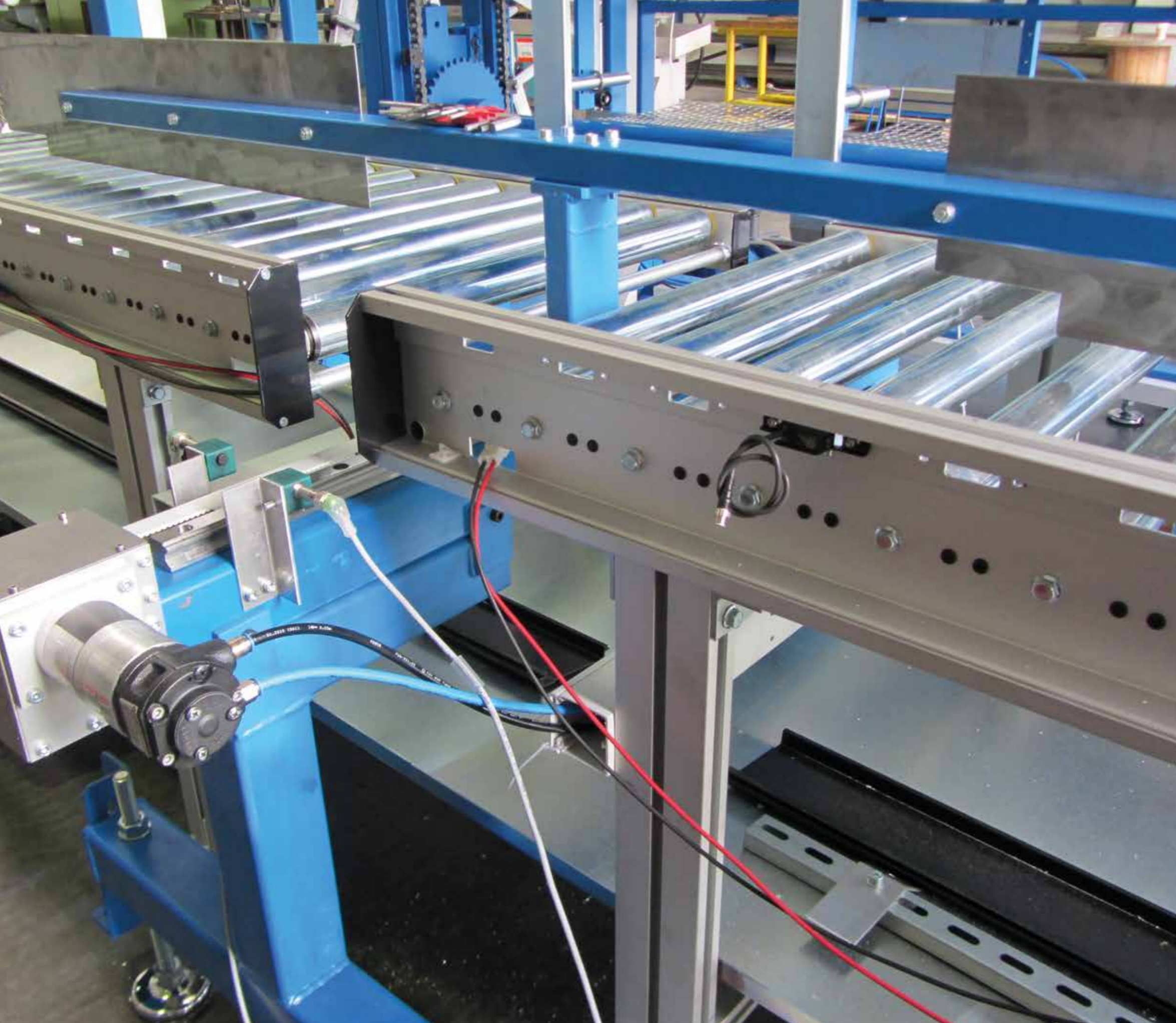
30 lb.in² (8.8 g.m²).

MAXIMUM OVERHUNG FORCE ON SHAFT:

400 lbf (1750N) In certain circumstances this may be extended. Consult your GLOBE Distributor. Axial loads should be kept down to a minimum.

MAXIMUM TEMPERATURES:

-40° to +176° Fahrenheit. (-20° to +80°C)



NON LUBRICATED VANE AIR MOTORS

ADVANTAGES

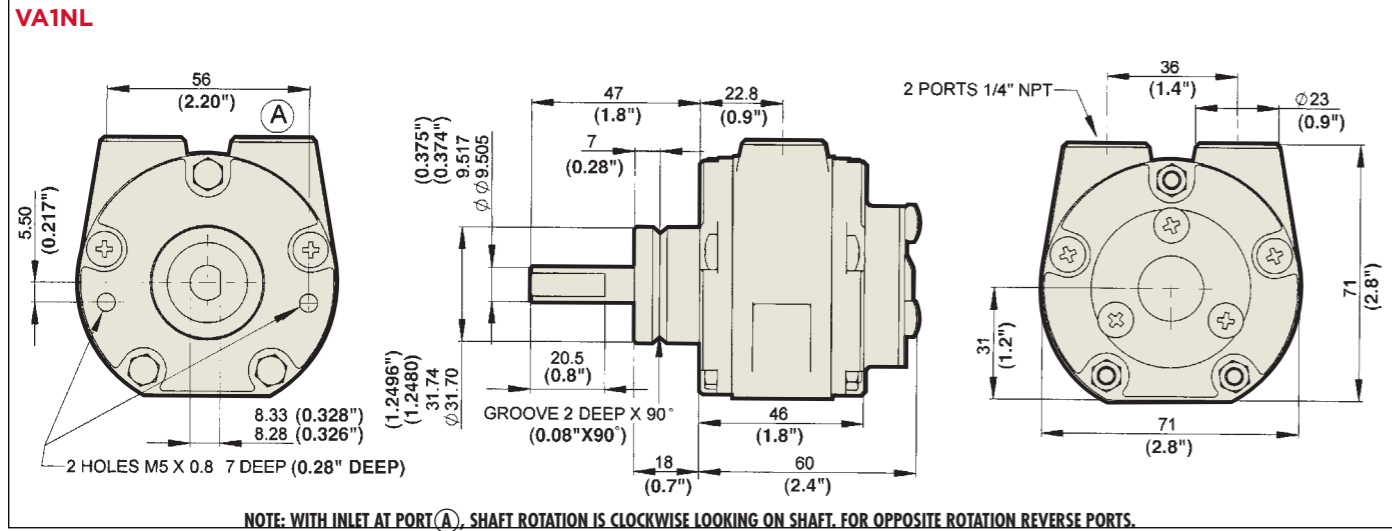
GLOBE Airmotors BV has a special range of air motors that do not require lubrication. The advantages of these motors are:

- No lubricator necessary – save on installation costs
- No inspection of the lubricator oil level is necessary – save on annual running costs
- No oil-contaminated air from the exhaust – protects products and workforce
- Same standard interfaces as the regular GLOBE vane air motors.

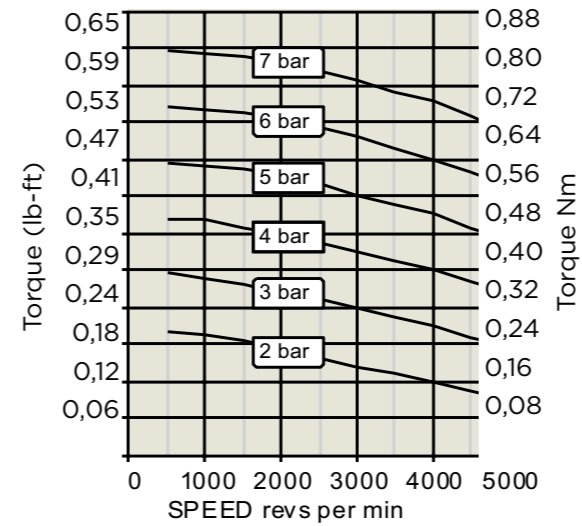
All the GLOBE vane air motors can run without lubrication under certain operation conditions. For dry running blades, a filtration to a minimum of 25 microns is recommended.

The maximum air pressure must not exceed 6 bar and the motor speed must not exceed the figures stated in the graphs belonging to the non lubricated motors. The maximum motor speed must never be exceeded when the motor is running off load. As prevention a flow restriction should be fitted on the outlet when the load can vary greatly.

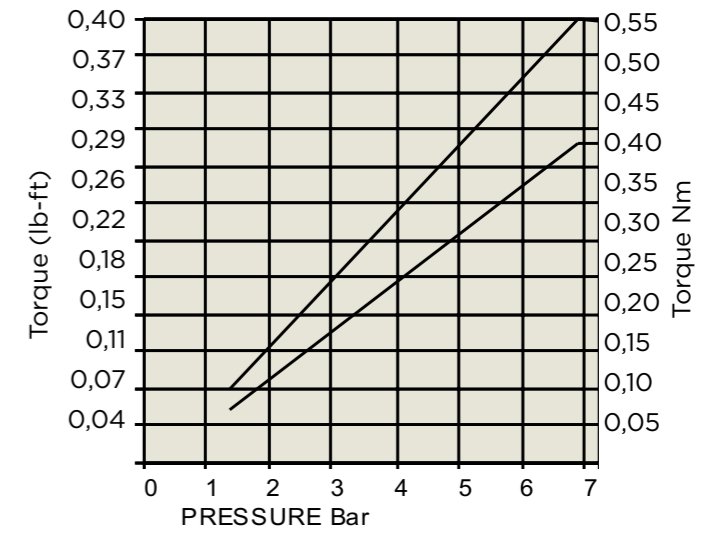
The vanes in non lubricated vane air motors have a shorter life expectancy compared to the standard versions. Maximum continuous speed is 25% less compared to the standard versions. Please consult GLOBE when using a non lubricated vane air motor.



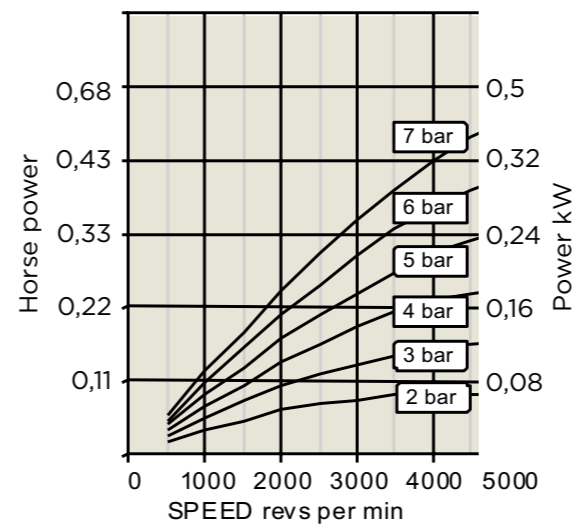
TORQUE - SPEED



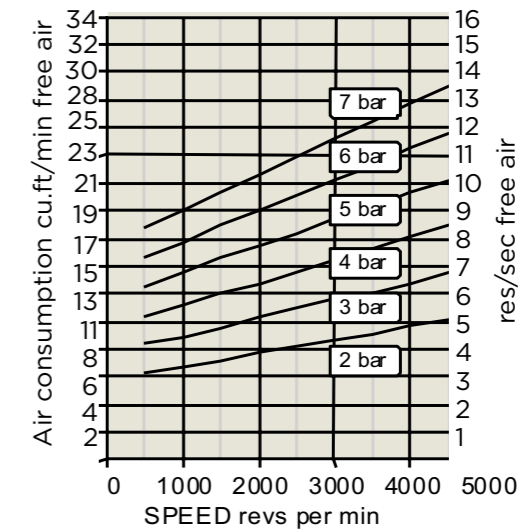
TORQUE - PRESSURE



POWER - SPEED



AIR CONSUMPTION - SPEED



Muffler supplied with motor.

Motor is reversible.

ATTITUDE

The motor can be operated in all positions.

MAXIMUM TEMPERATURE

-20°C to +60°C

(-4°F to +140°F).

AIRLINE FILTRATION

Use 64 micron filtration or better.

MAX. OVERHUNG FORCE ON MOTOR SHAFT

18 N (4.0 lbf.).

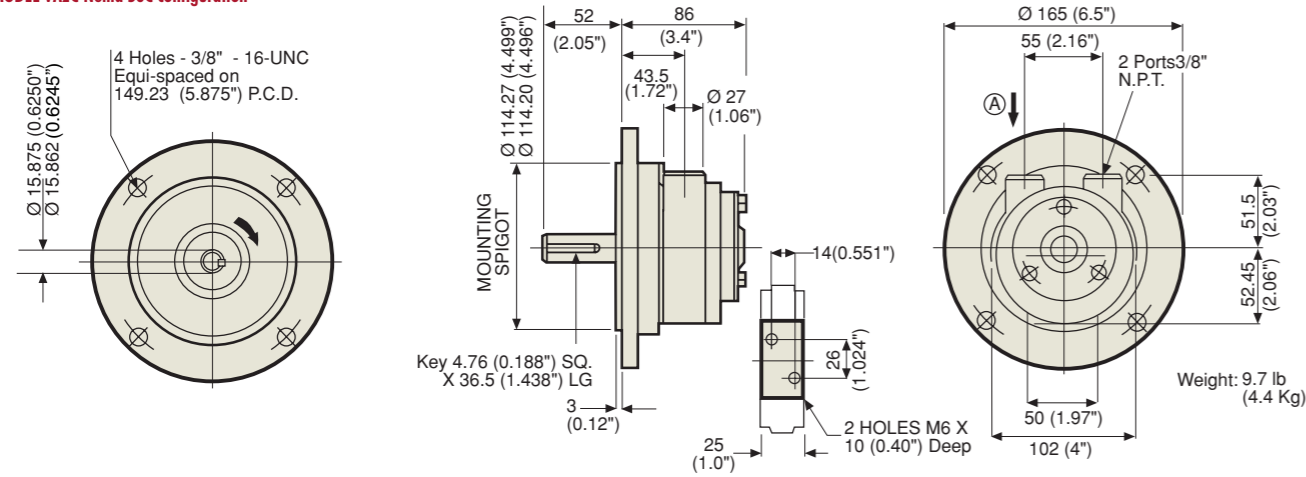
Axial loads should be kept to a minimum.

MAXIMUM SPEED 4500 RPM

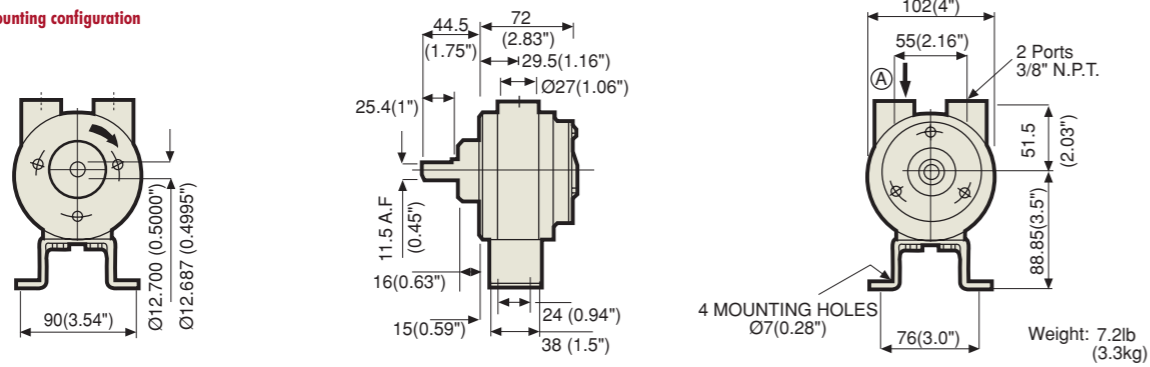
When operating above 50% of the maximum speed please consult your supplier.

DIMENSIONS V2-NL

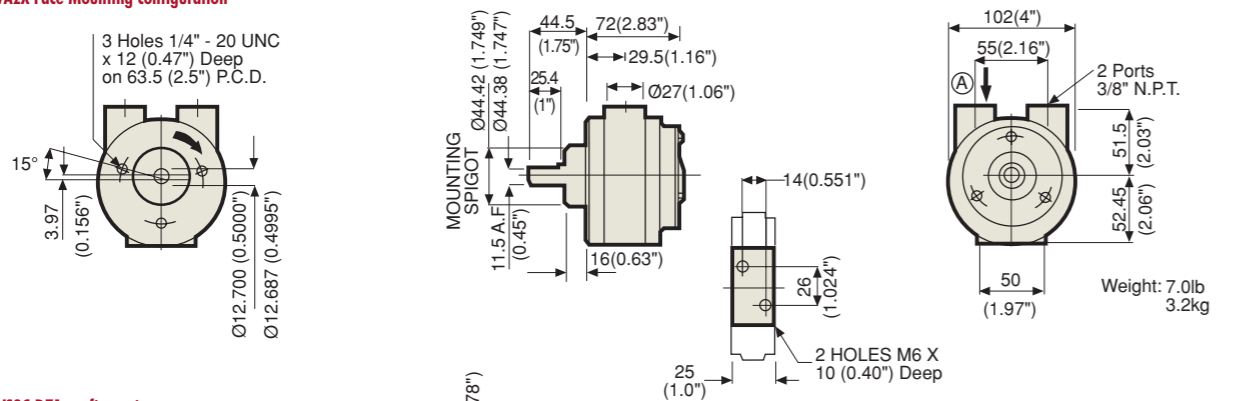
MODEL VA2C Nema 56C configuration



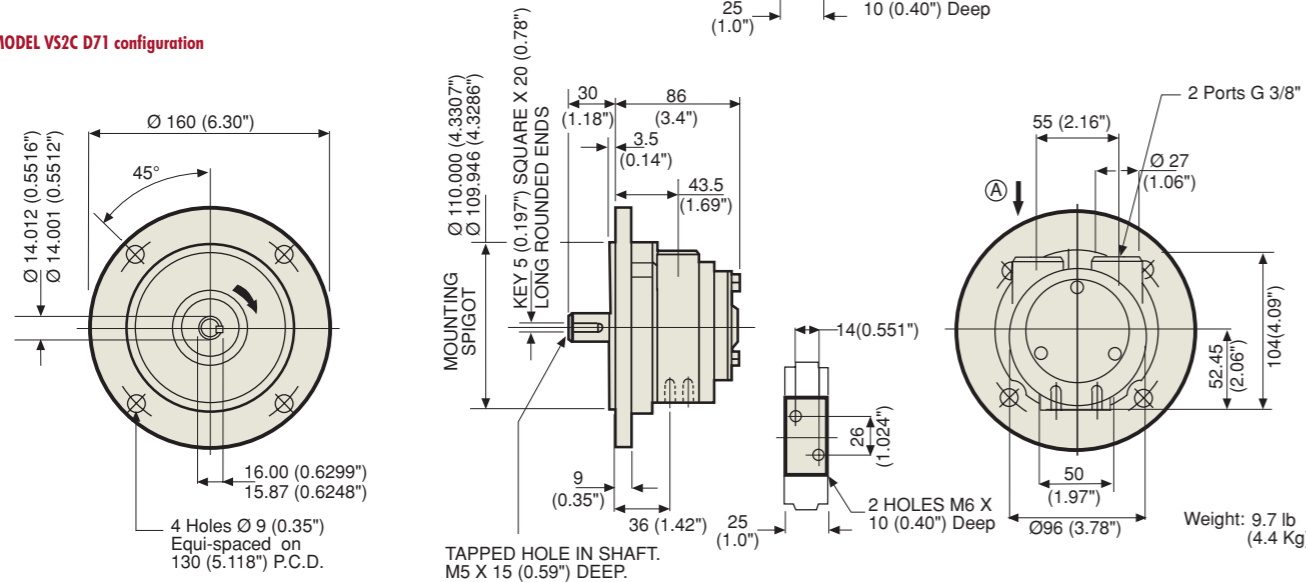
MODEL VA2J Foot Mounting configuration



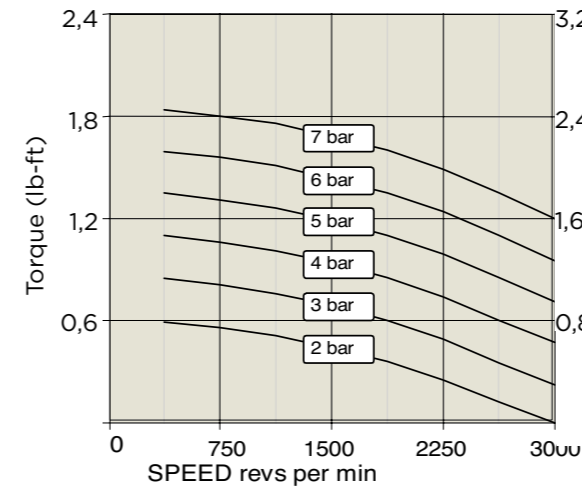
MODEL VA2X Face Mounting configuration



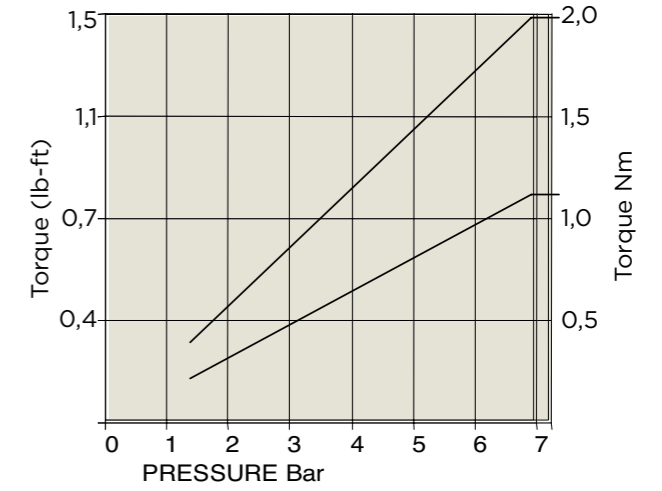
MODEL VS2C D71 configuration



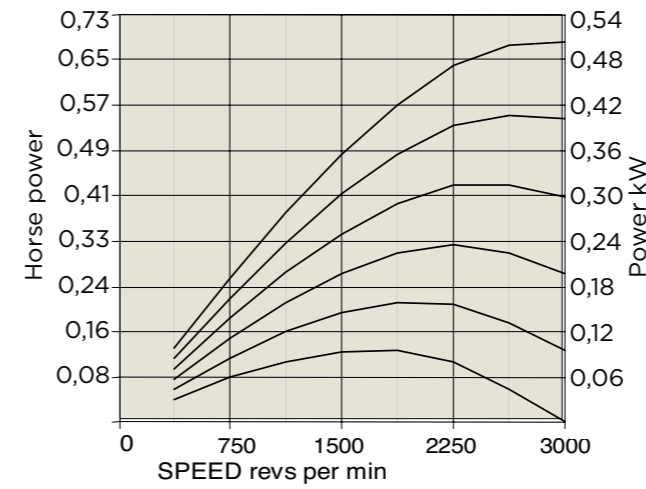
TORQUE - SPEED



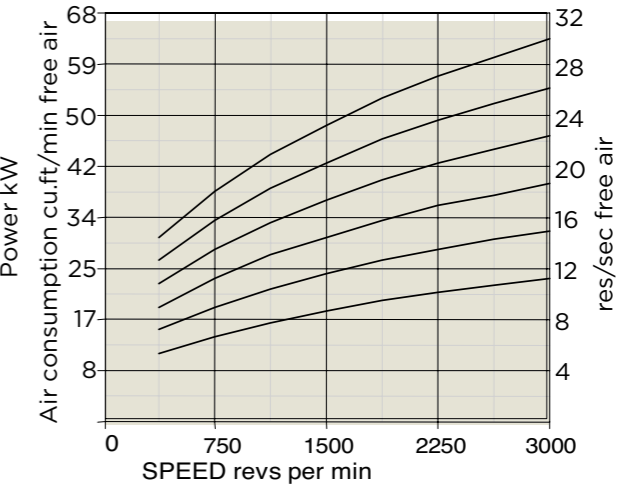
TORQUE - PRESSURE



POWER - SPEED



AIR CONSUMPTION - SPEED



Muffler supplied with motor.

Motor is reversible.

ATTITUDE

The motor can be operated in all positions.

MAXIMUM TEMPERATURE

-20°C to +60°C

(-4°F to +140°F).

AIRLINE FILTRATION

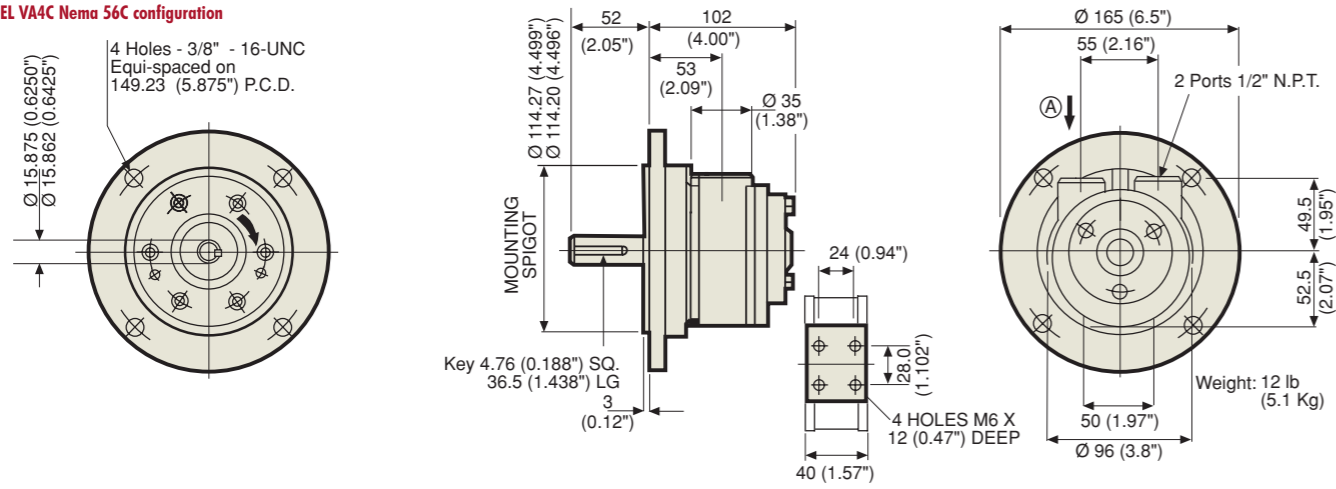
Use 64 micron filtration or better.

MAXIMUM SPEED 3000 RPM

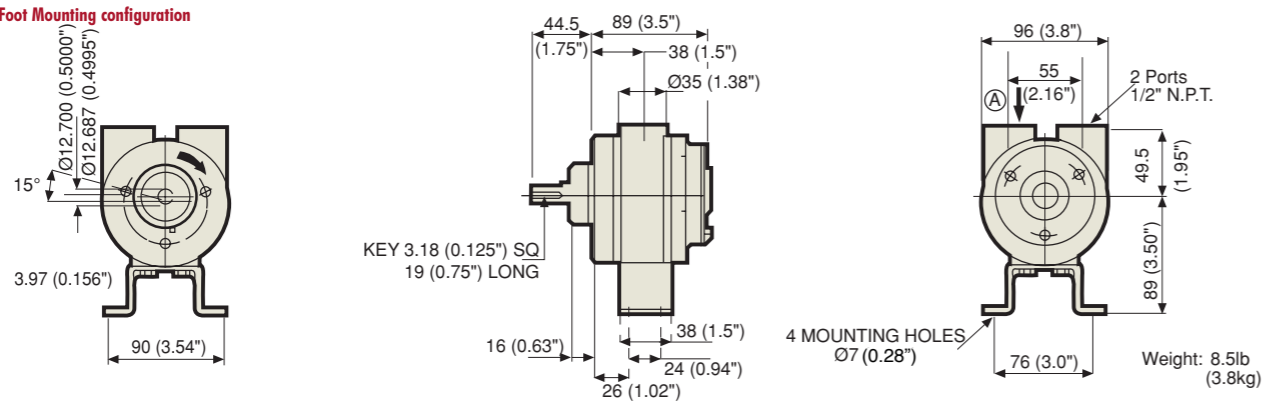
When operating above 50% of the maximum speed please consult your supplier.

DIMENSIONS V4-NL

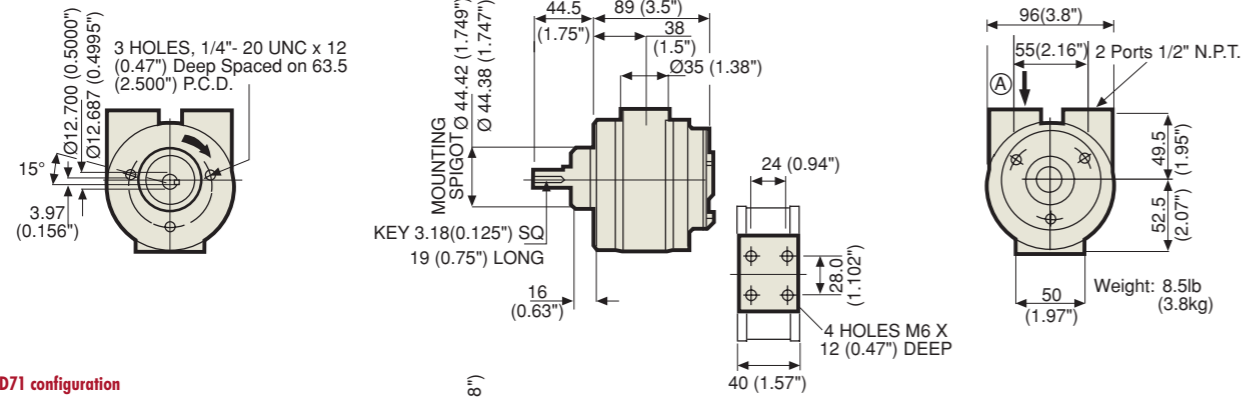
MODEL VA4C Nema 56C configuration



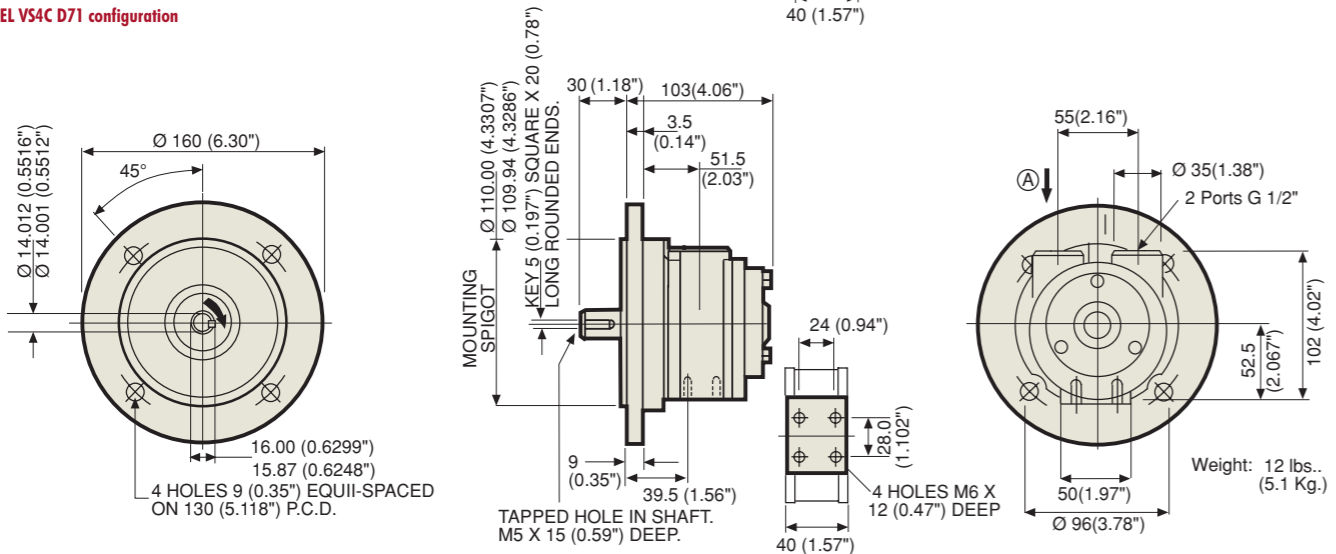
MODEL VA4J Foot Mounting configuration



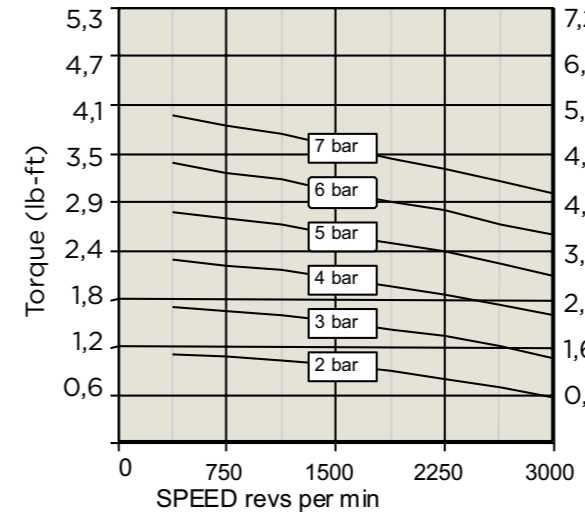
MODEL VA4X Face Mounting configuration



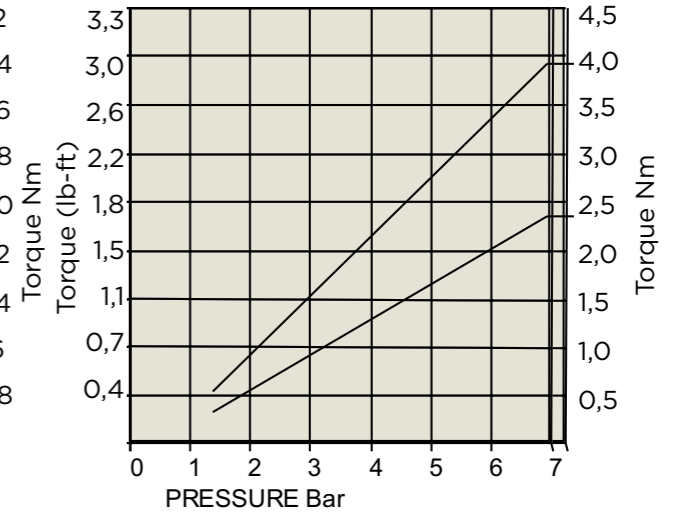
MODEL VS4C D71 configuration



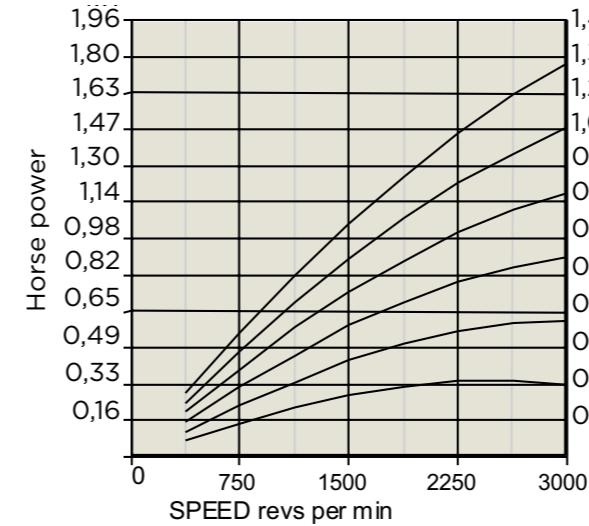
TORQUE - SPEED



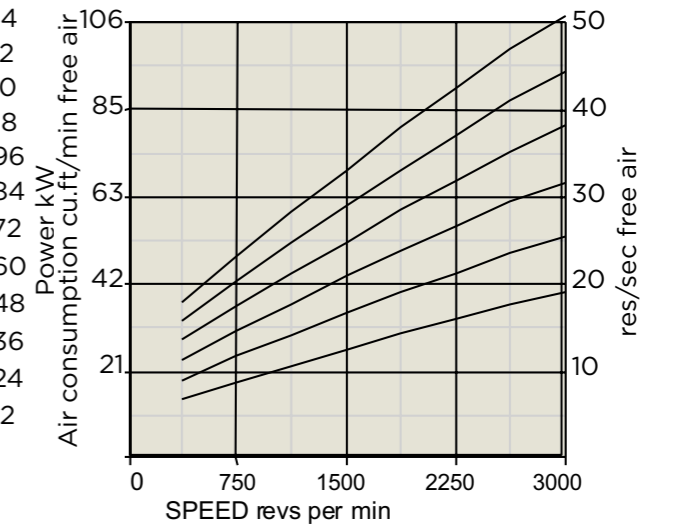
TORQUE - PRESSURE



POWER - SPEED



AIR CONSUMPTION - SPEED



Muffler supplied with motor.

Motor is reversible.

ATTITUDE

The motor can be operated in all positions.

MAXIMUM TEMPERATURE

-20°C to +60°C

(-4°F to +140°F).

AIRLINE FILTRATION

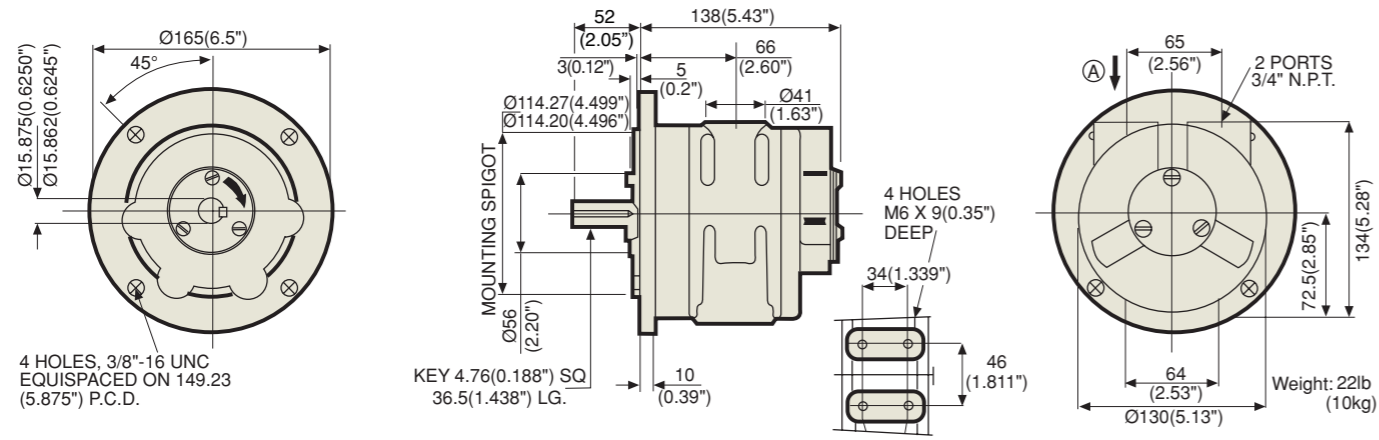
Use 5 micron filtration or better.

MAXIMUM SPEED 3000 RPM

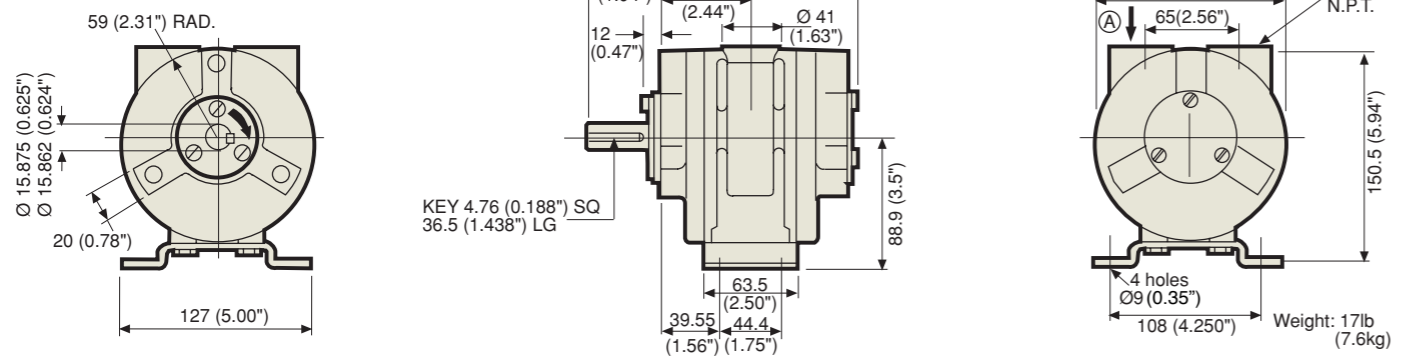
When operating above 50% of the maximum speed please consult your supplier.

DIMENSIONS V6-NL

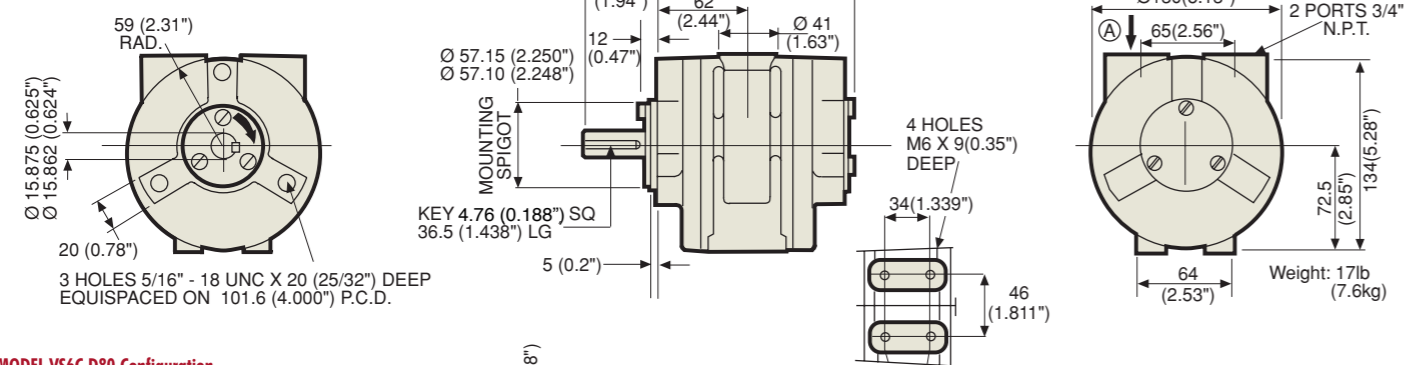
MODEL VA6C Nema 56C Configuration



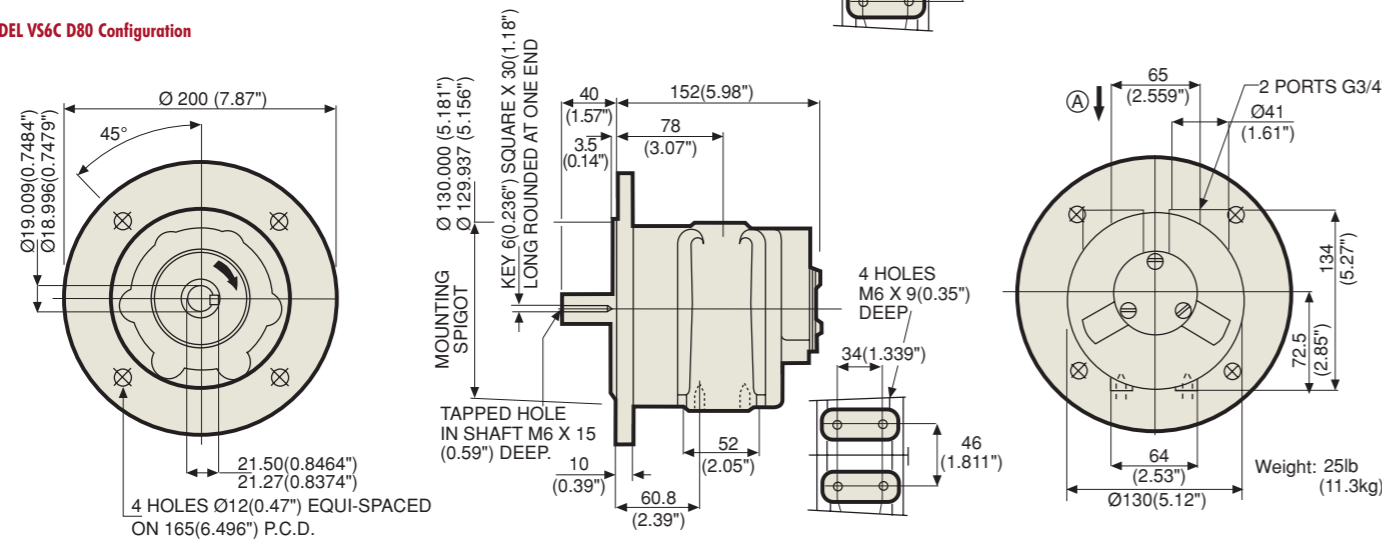
MODEL VA6J Foot Mounting Configuration



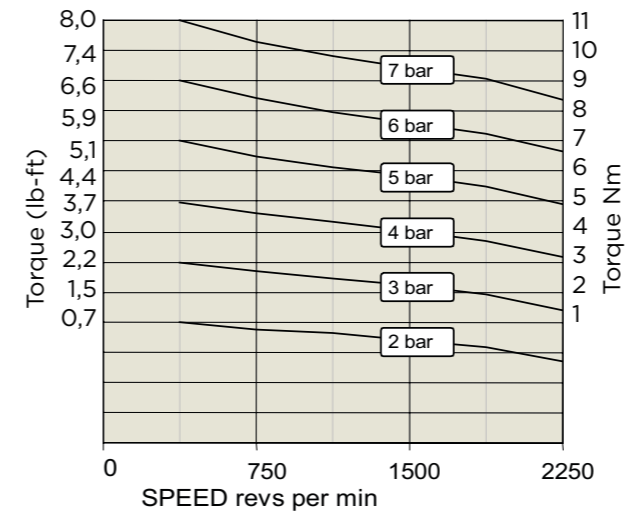
MODEL VA6X Face Mounting Configuration



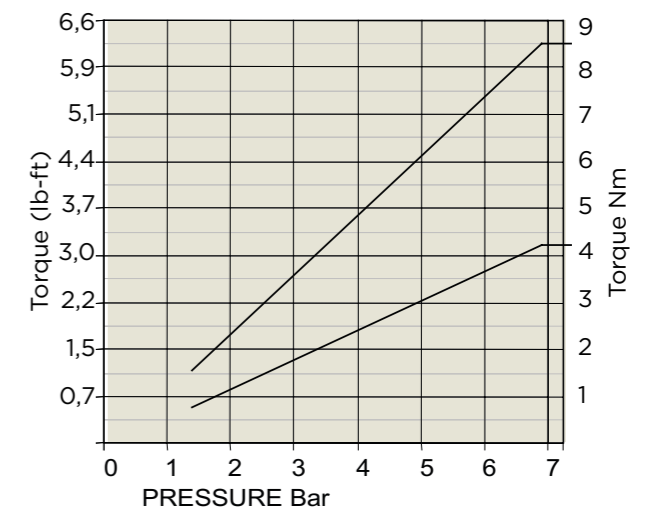
MODEL VS6C D80 Configuration



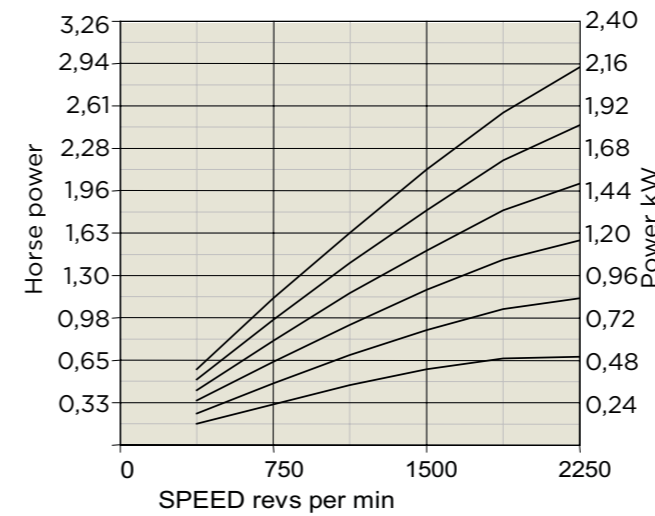
TORQUE - SPEED



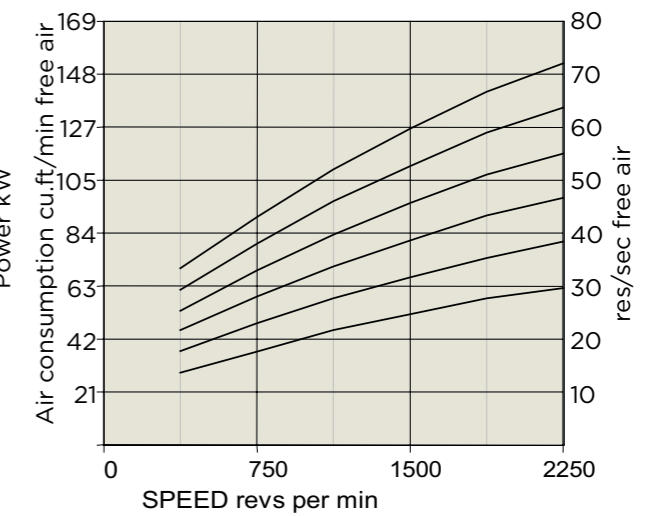
TORQUE - PRESSURE



POWER - SPEED



AIR CONSUMPTION - SF



Muffler supplied with motor.

Motor is reversible.

ATTITUDE

The motor can be operated in all positions.

MAXIMUM TEMPERATURE

-20°C to +60°C

(-4°F to -140°F).

AIRLINE FILTRATION

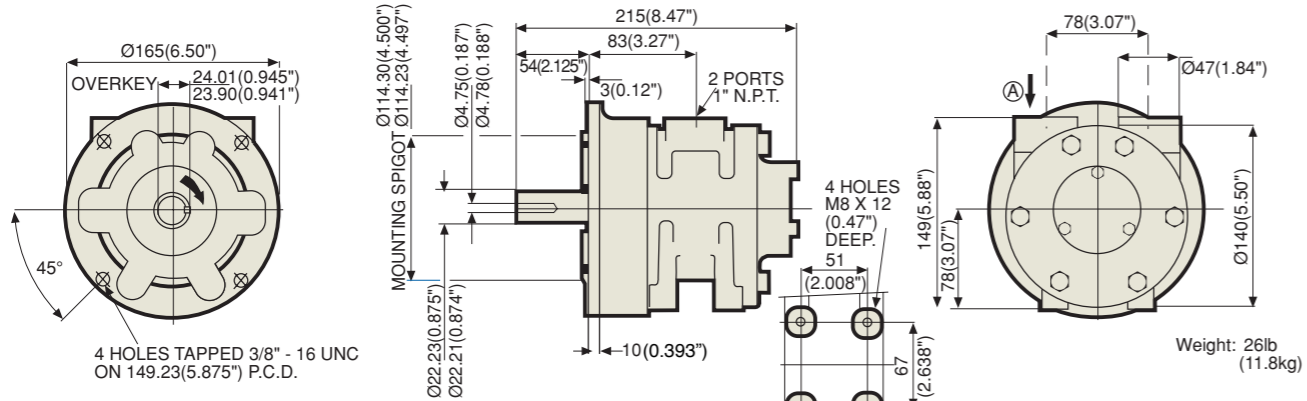
Use 64 micron filtration or better.

MAXIMUM SPEED 2000 RPM

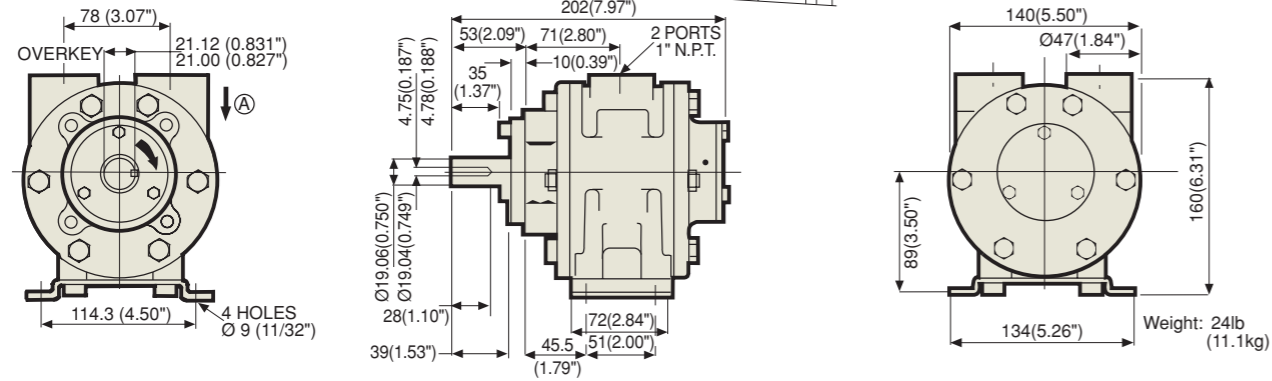
When operating above 50% of the maximum speed please consult your supplier.

DIMENSIONS V8-NL

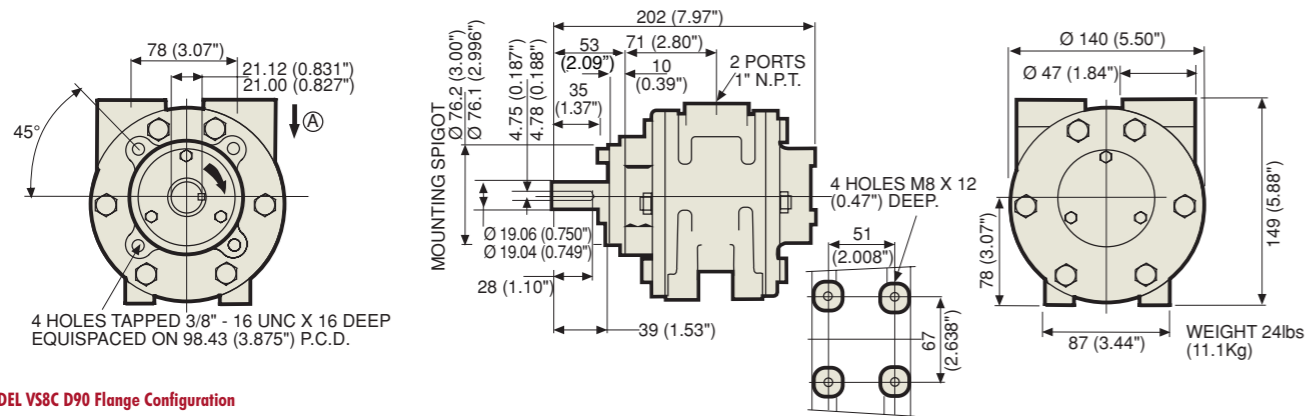
MODEL VA8C I45 TC Configuration



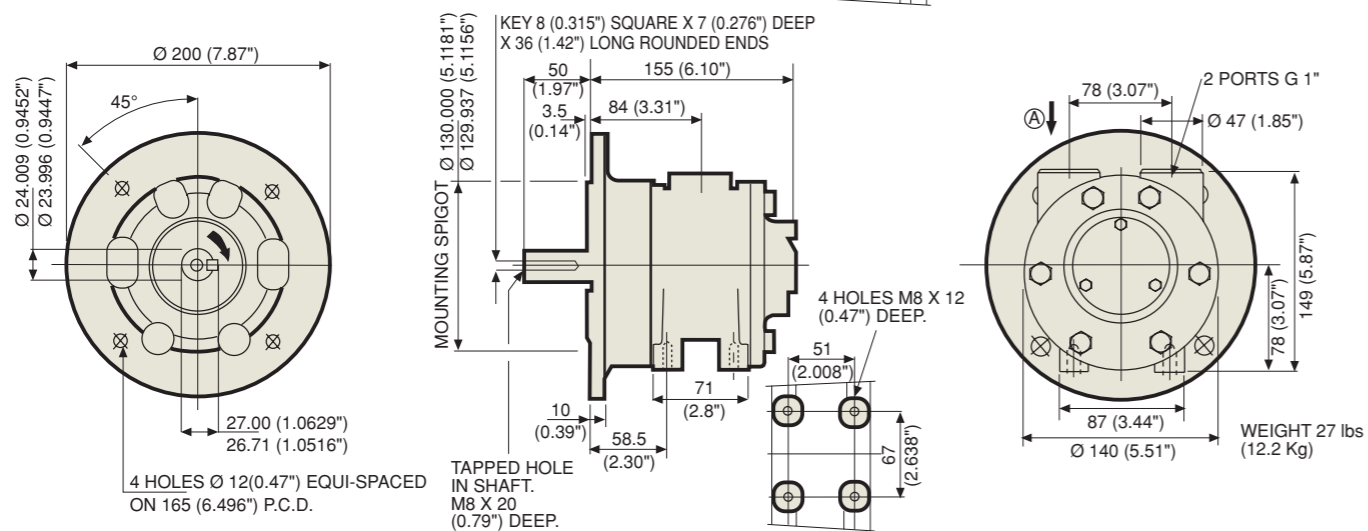
MODEL VA8J Foot Mounting Configuration



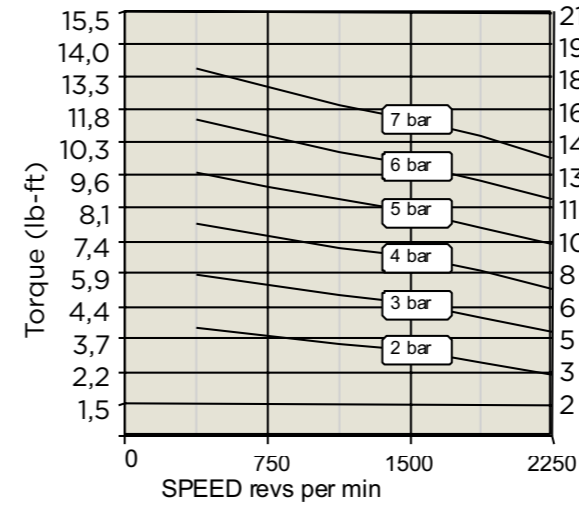
MODEL VA8X Face Mounting Configuration



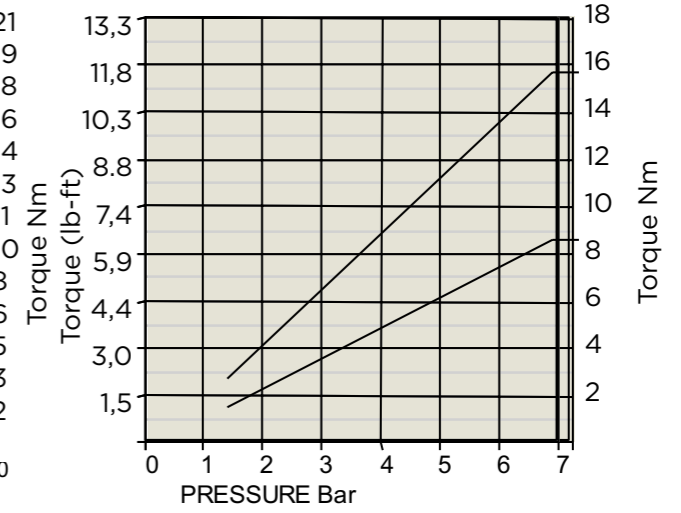
MODEL VS8C D90 Flange Configuration



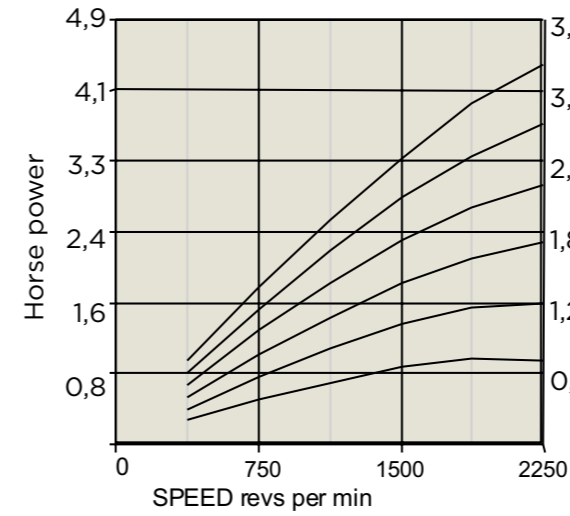
TORQUE - SPEED



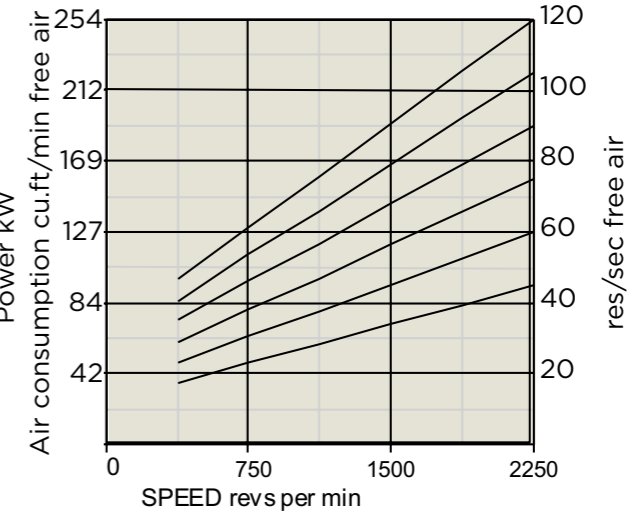
TORQUE - PRESSURE



POWER - SPEED



AIR CONSUMPTION - SPEED



Muffler supplied with motor.

Motor is reversible.

ATTITUDE

The motor can be operated in all positions.

MAXIMUM TEMPERATURE

-20°C to +60°C

(-4°F to +140°F).

AIRLINE FILTRATION

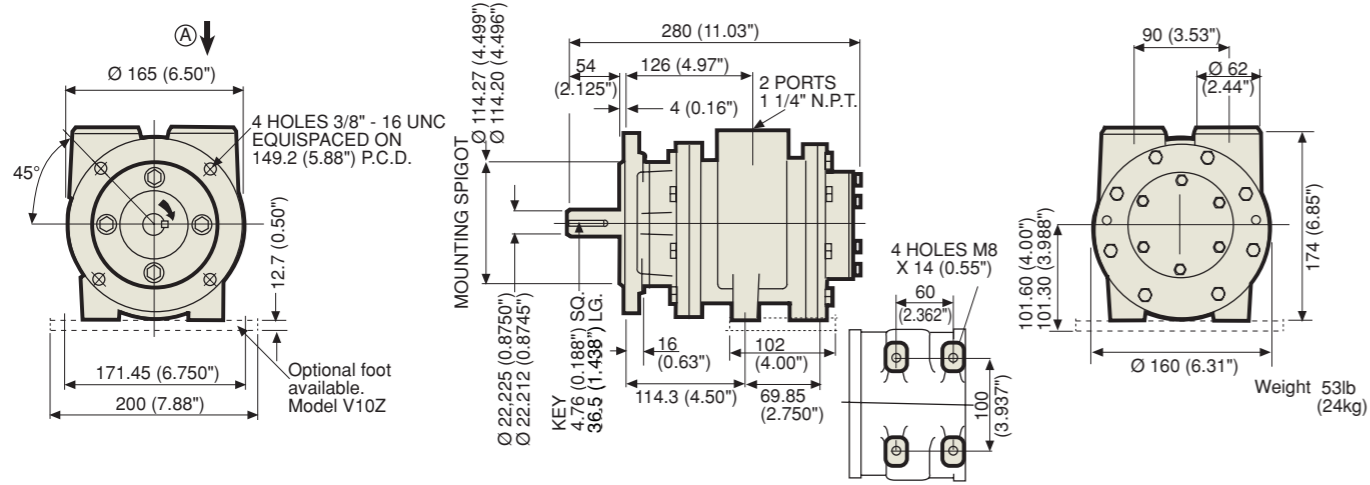
Use 64 micron filtration or better.

MAXIMUM SPEED 2000 RPM

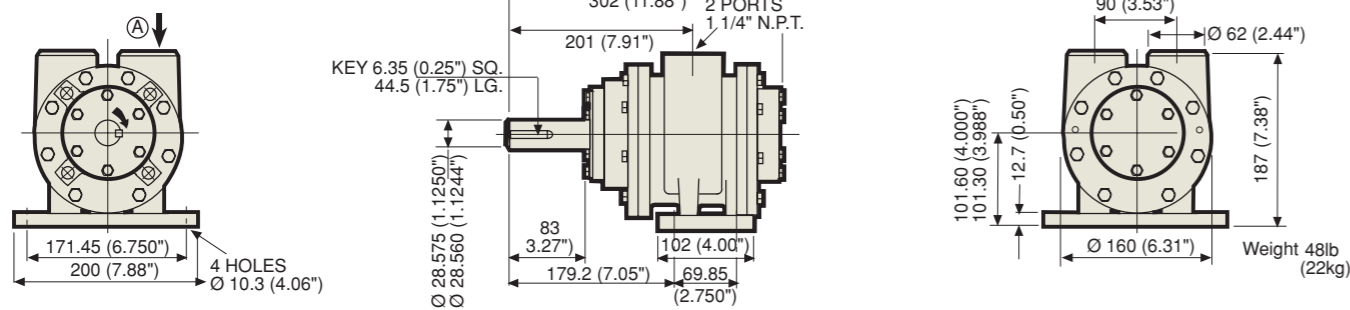
When operating above 50% of the maximum speed please consult your supplier.

DIMENSIONS V10-NL

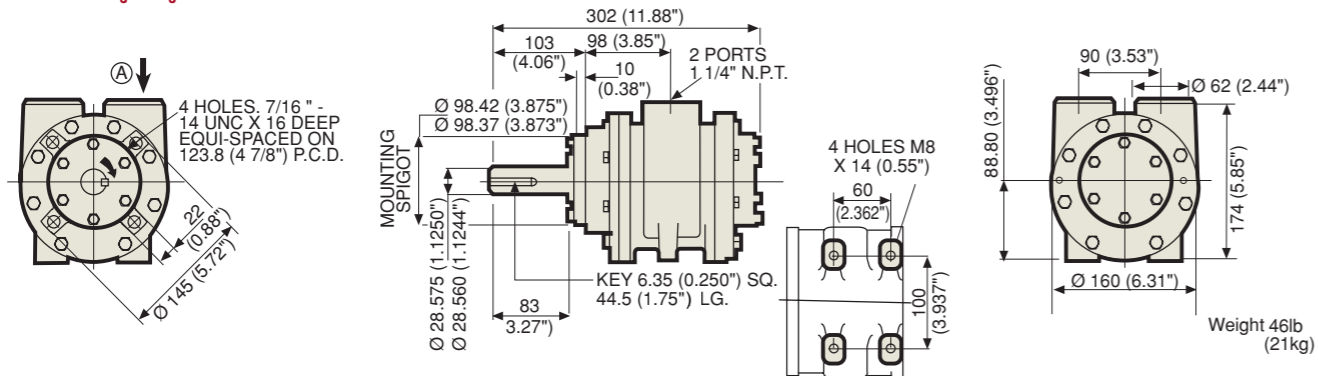
MODEL VA10C 145 TC Configuration



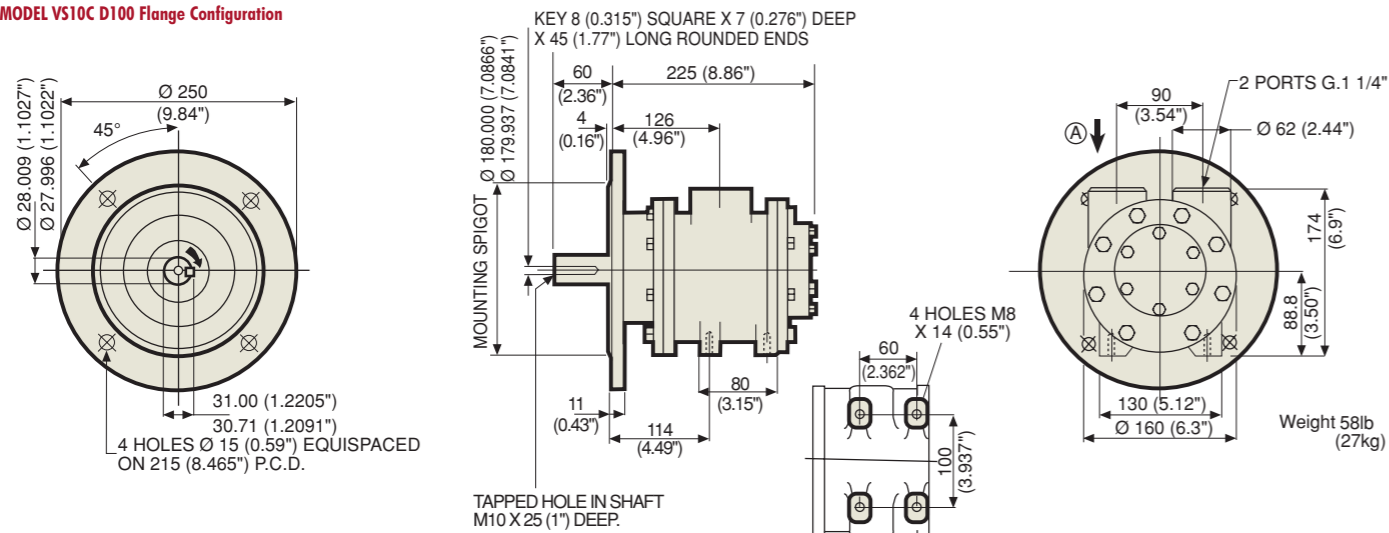
MODEL VA10J Foot Mounting Configuration



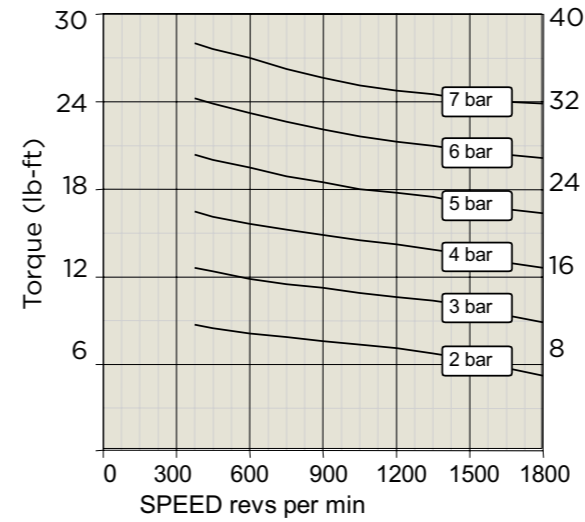
MODEL VA10X Face Mounting Configuration



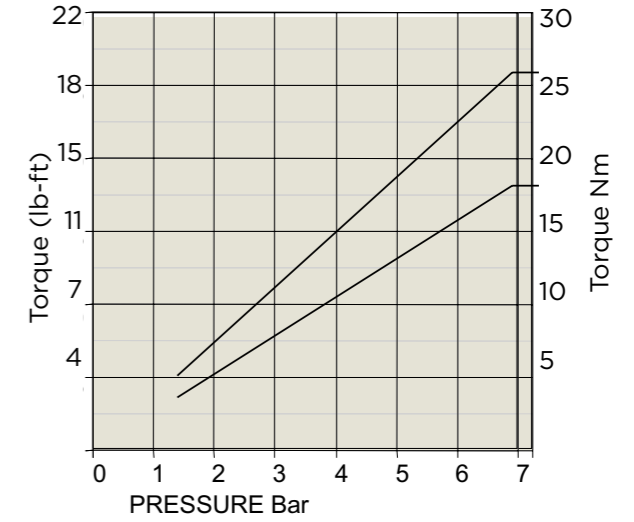
MODEL VS10C D100 Flange Configuration



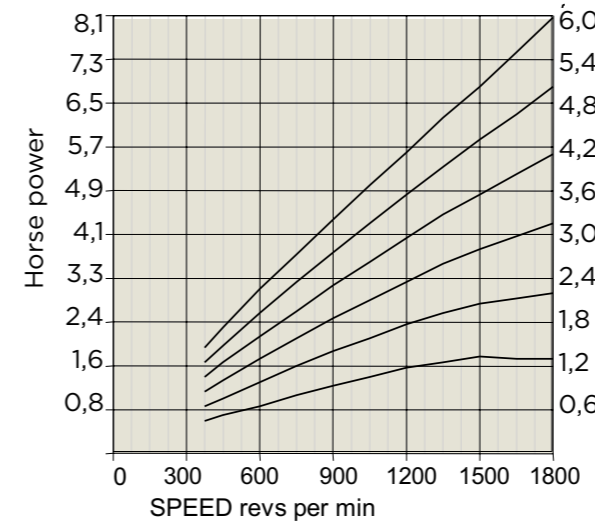
TORQUE - SPEED



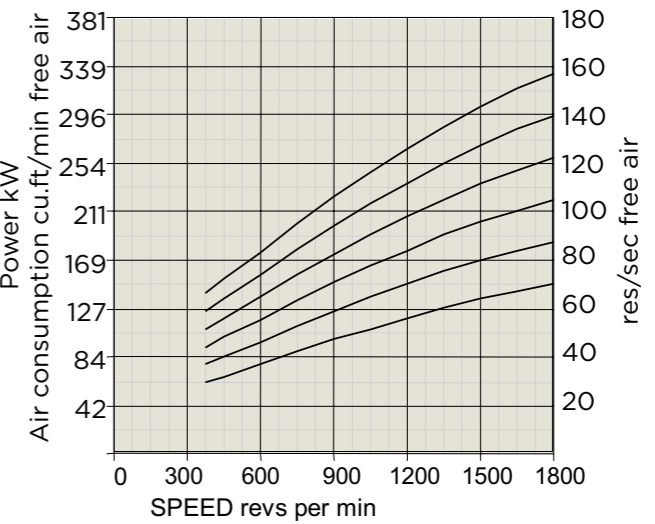
TORQUE - PRESSURE



POWER - SPEED



AIR CONSUMPTION - SPEED



Muffler supplied with motor.

Motor is reversible.

ATTITUDE

The motor can be operated in all positions.

MAXIMUM TEMPERATURE

-20°C to +60°C

(-4°F to +140°F).

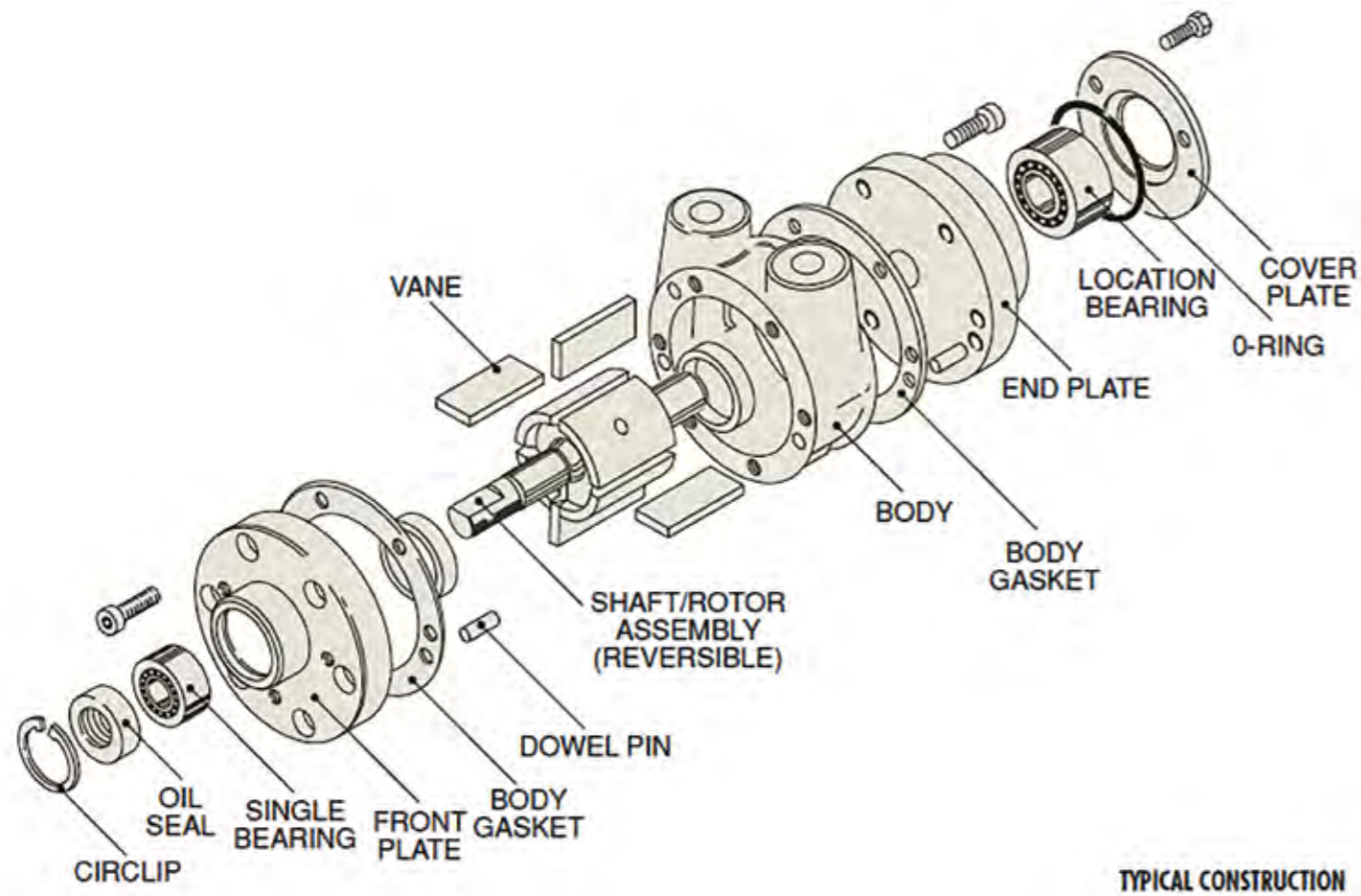
AIRLINE FILTRATION

Use 64 micron filtration or better.

MAXIMUM SPEED 1800 RPM

When operating above 50% of the maximum speed please consult your supplier.

KITS AND SPARE PARTS



Revision kits and spare parts are available on request.

Service kit per type of motor	Kit number
GLOBE V1 serie	719-910
GLOBE V2 serie	729-910
GLOBE V4 serie	749-910
GLOBE V6 serie	769-910
GLOBE V8 serie	789-910
GLOBE V10 serie	799-910
GLOBE V12 serie	712-910



STAINLESS STEEL VANE AIR MOTORS

GLOBE Airmotors has developed a stainless steel addition to the standard and non lubricated vane air motors. These stainless steel vane air motors have the same dimensions and performances as the standard edition.

These stainless steel vane air motors are perfect for use in aggressive environments and food processing industry.

Please consult GLOBE Airmotors BV about the possibilities regarding the stainless steel vane air motors.





GLOBE GEARED VANE AIR MOTORS

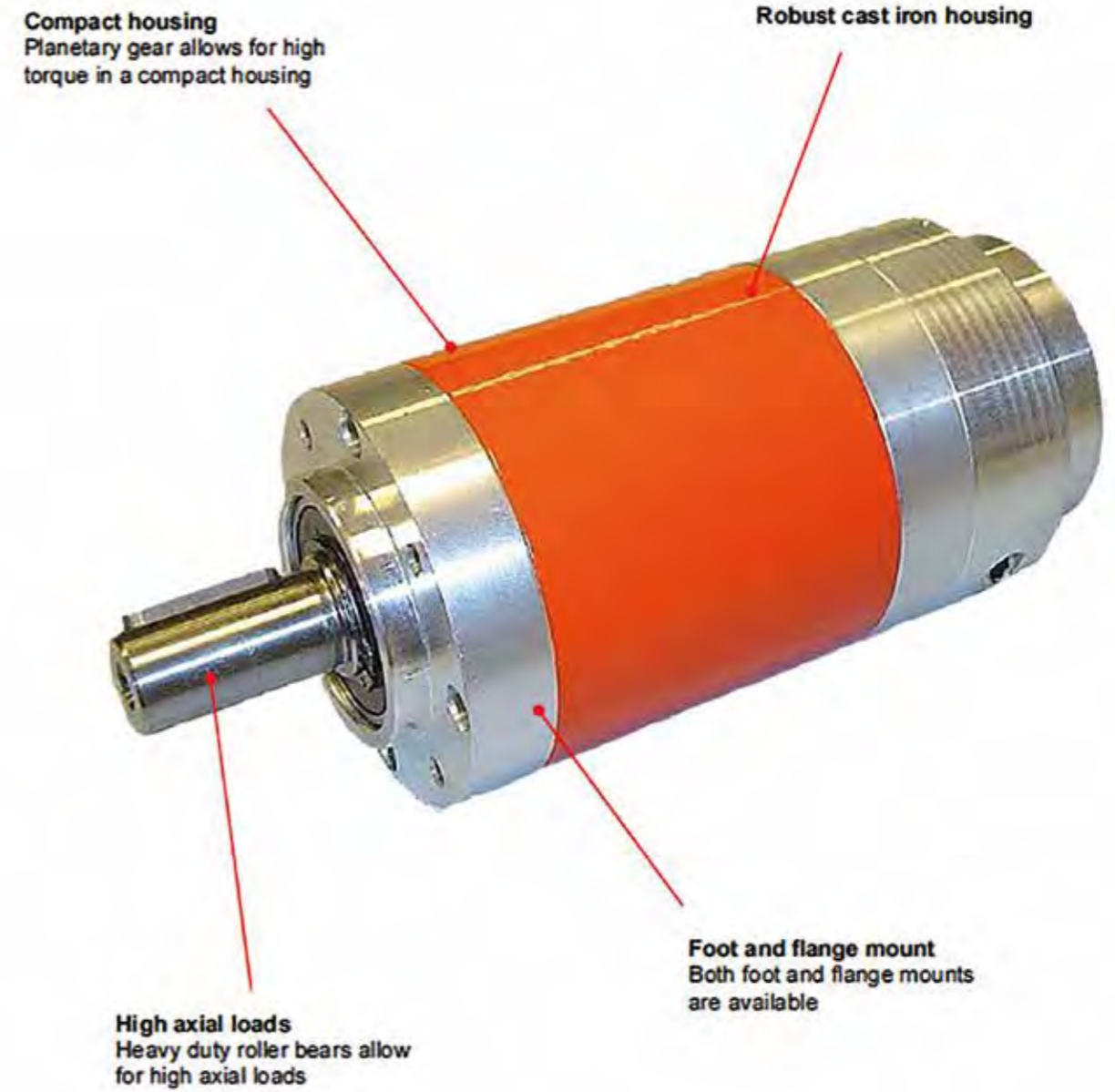
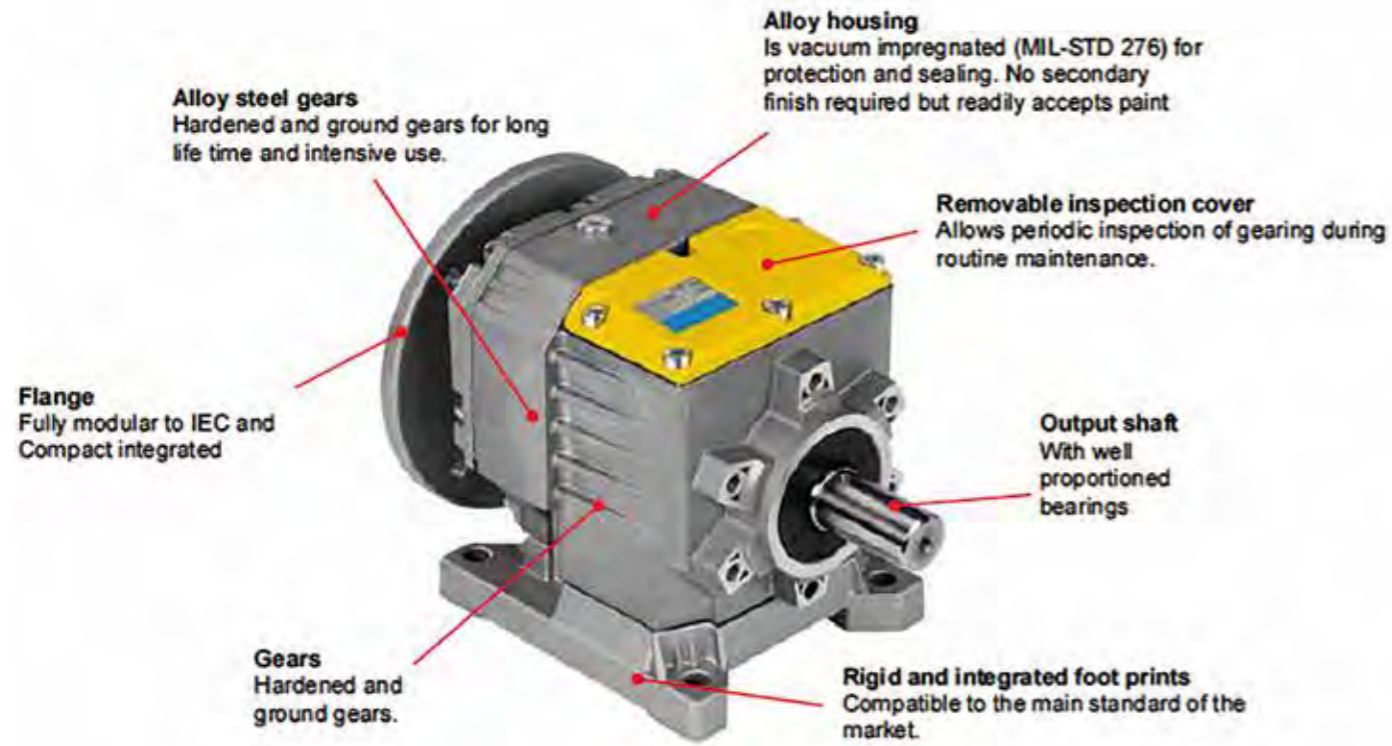
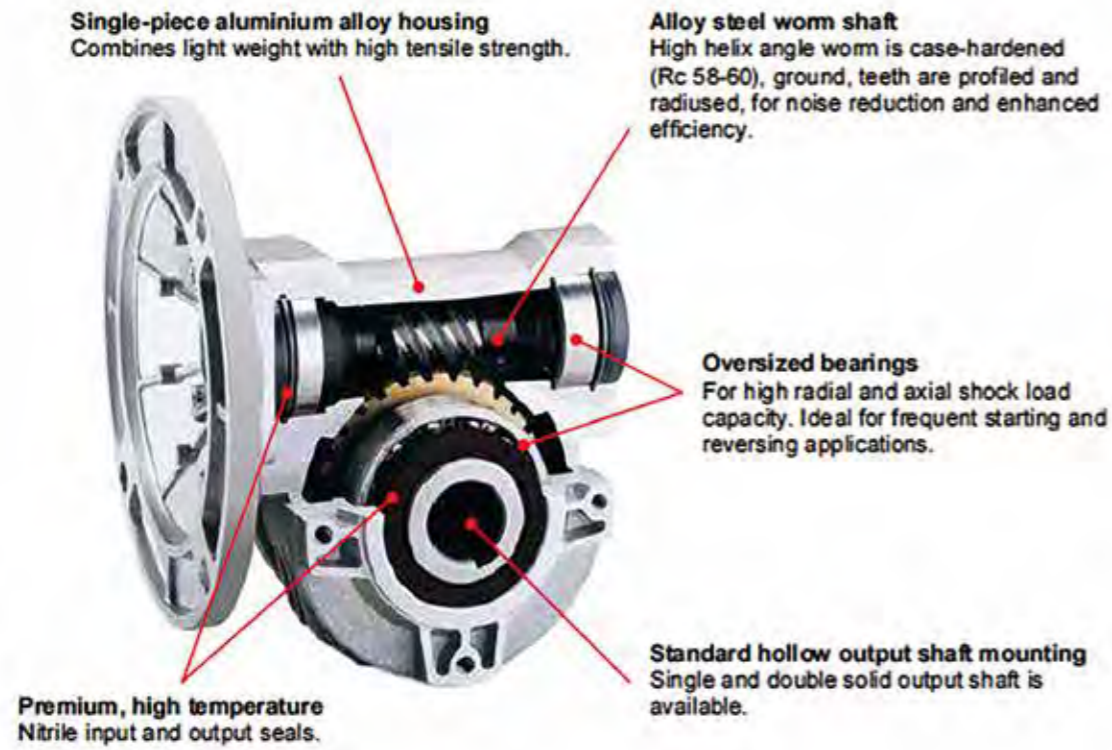
The GLOBE geared vane air motors are available with a standard range of worm and coaxial gearboxes. They generate high torques and low speeds of rotation required in many applications. Power ranges up to 8.3kW/11,1HP at 6 bar/90psi air pressure.

The motor and gearbox are directly mounted onto each other, making them compact and resistant against the environment. GLOBE geared vane air motors are designed for smooth operation and are commonly used in mixing equipment, conveyor belts, hoists and winches, hose reels and turntables.

GLOBE geared vane air motors have many advantages including:

- Power ranges up to 8.3kW/11,1HP at 6 bar/90psi air pressure
- High nominal torque up to 1650Nm/1216 lbs.ft
- Speed of rotation as low as 7 rpm
- Easily variable and controllable speed and torque
- Perfect for applications in hazardous and aggressive environments
- ATEX certification ATEX II cat. 2 G&D T5 on request
- No damage by overload or repeated starting
- Can be used in stall conditions
- Superior power to weight ratio
- Instantly reversible
- Minimum maintenance
- High radial and axial loads permitted
- Oil free possible

Please contact GLOBE for special requests. We are known for our custom solutions.



PERFORMANCES GLOBE VANE AIR MOTORS WORM GEARBOX

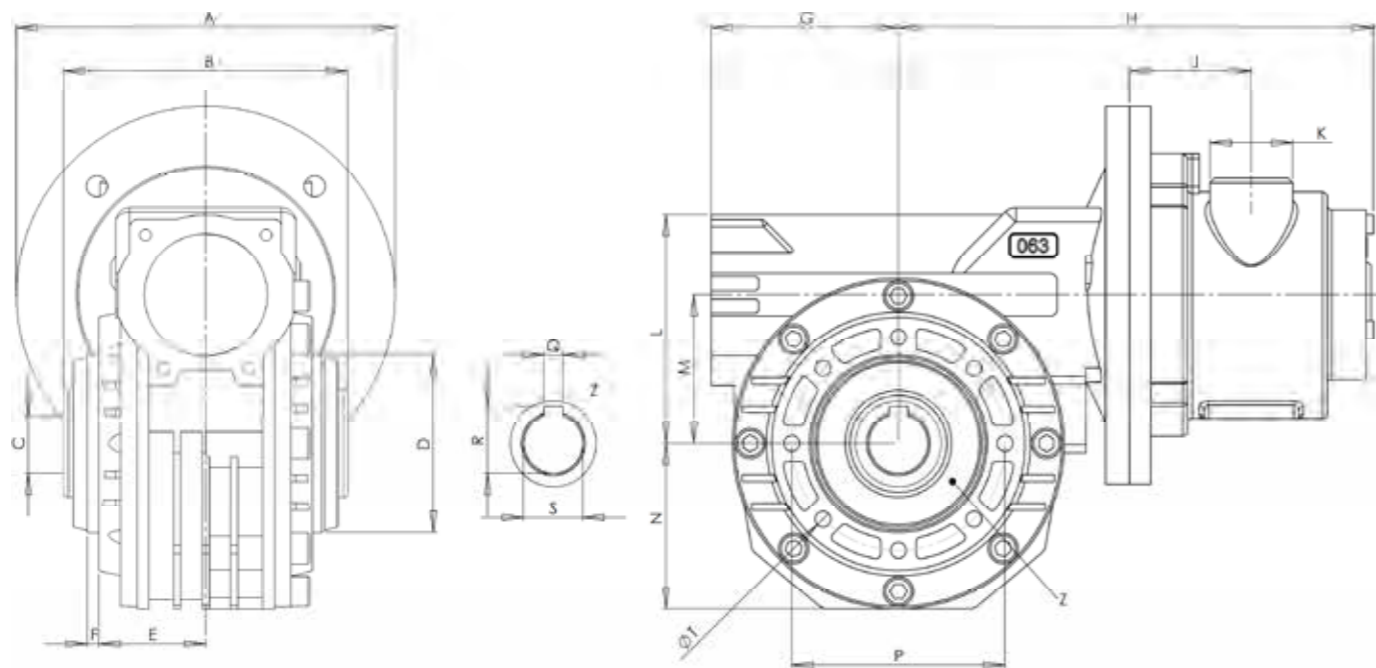
Ordering code flange model	Ordering code foot model	i	Power* (kW / hp)	Max. rpm**	Nominal torque* (Nm / lb-ft)	Min. starting torque (Nm / lb-ft)	Weight flange model (Kg / lb)	Weight foot model (Kg / lb)
GLOBE V4 + worm gear								
VS4DW63FG7	VS4DW63BG7	7	1.3kW / 1.8hp	430	30Nm / 22lb-ft	20Nm / 15lb-ft	11Kg / 24.2lb	12Kg / 26.4lb
VS4DW63FG15	VS4DW63BG15	15	1.3kW / 1.8hp	200	61Nm / 45lb-ft	35Nm / 26lb-ft	11Kg / 24.2lb	12Kg / 26.4lb
VS4DW63FG30	VS4DW63BG30	30	1.2kW / 1.6hp	100	110Nm / 81lb-ft	53Nm / 39lb-ft	11Kg / 24.2lb	12Kg / 26.4lb
VS4DW63FG45	VS4DW63BG45	45	1.1kW / 1.5hp	65	155Nm / 114lb-ft	67Nm / 49lb-ft	11Kg / 24.2lb	12Kg / 26.4lb
VS4DW85FG67	VS4DW85BG67	67	1kW / 1.3hp	45	210Nm / 155lb-ft	80Nm / 59lb-ft	17Kg / 37.4lb	19Kg / 41.8lb
VS4DW85FG74	VS4DW85BG74	74	0.9kW / 1.2hp	40	220Nm / 162lb-ft	83Nm / 61lb-ft	17Kg / 37.4lb	19Kg / 41.8lb
GLOBE V6 + worm gear								
VS6DW63FG7	VS6DW63BG7	7	2.7kW / 3.7hp	430	60Nm / 44lb-ft	40Nm / 29lb-ft	17Kg / 37.4lb	18Kg / 39.6lb
VS6DW63FG15	VS6DW63BG15	15	2.6kW / 3.5hp	200	120Nm / 88lb-ft	70Nm / 52lb-ft	17Kg / 37.4lb	18Kg / 39.6lb
VS6DW85FG28	VS6DW85BG28	28	2.5kW / 3.4hp	105	220Nm / 162lb-ft	110Nm / 81lb-ft	23Kg / 50.6lb	25Kg / 55lb
VS6DW85FG46	VS6DW85BG46	46	2.3kW / 3.1hp	65	330Nm / 243lb-ft	160Nm / 118lb-ft	23Kg / 50.6lb	25Kg / 55lb
VS6DW110FG64	VS6DW110BG64	64	2.3kW / 3.1hp	47	460Nm / 339lb-ft	195Nm / 144lb-ft	39Kg / 85.8lb	44Kg / 96.8lb
VS6DW110FG84	VS6DW110BG84	84	2.2kW / 3.0hp	35	575Nm / 424lb-ft	220Nm / 162lb-ft	39Kg / 85.8lb	44Kg / 96.8lb
GLOBE V8 + worm gear								
VS8DW85FG7	VS8DW85BG7	7	4kW / 5.4hp	430	90Nm / 66lb-ft	75Nm / 55lb-ft	24Kg / 52.8lb	26Kg / 57.2lb
VS8DW85FG14	VS8DW85BG14	14	3.9kW / 5.3hp	215	175Nm / 129lb-ft	125Nm / 92lb-ft	24Kg / 52.8lb	26Kg / 57.2lb
VS8DW110FG30	VS8DW110BG30	30	3.7kW / 5.0hp	100	350Nm / 258lb-ft	200Nm / 147lb-ft	40Kg / 88lb	45Kg / 99lb
VS8DW110FG45	VS8DW110BG45	45	3.6kW / 4.9hp	65	515Nm / 380lb-ft	295Nm / 217lb-ft	40Kg / 88lb	45Kg / 99lb
VS8DW110FG64	VS8DW110BG64	64	3.3kW / 4.5hp	47	690Nm / 508lb-ft	365Nm / 269lb-ft	40Kg / 88lb	45Kg / 99lb
GLOBE V10 + worm gear								
VS10DW85FG7	VS10DW85BG7	7	7.2kW / 9.8hp	340	210Nm / 155lb-ft	150Nm / 111lb-ft	39Kg / 85.8lb	41Kg / 90.2lb
VS10DW110FG16	VS10DW110BG16	16	7kW / 9.5hp	150	460Nm / 339lb-ft	290Nm / 214lb-ft	55Kg / 121lb	60Kg / 132lb
VS10DW110FG23	VS10DW110BG23	23	6.9kW / 9.4hp	105	650Nm / 479lb-ft	405Nm / 298lb-ft	55Kg / 121lb	60Kg / 132lb

* Power and nominal torque at 6 bar and motor input speed of 3000 rpm (V4, V6, V8) and 2400 rpm (V10).

** In applications where the motor input speed exceeds 2200 rpm, only intermittent use is tolerated.



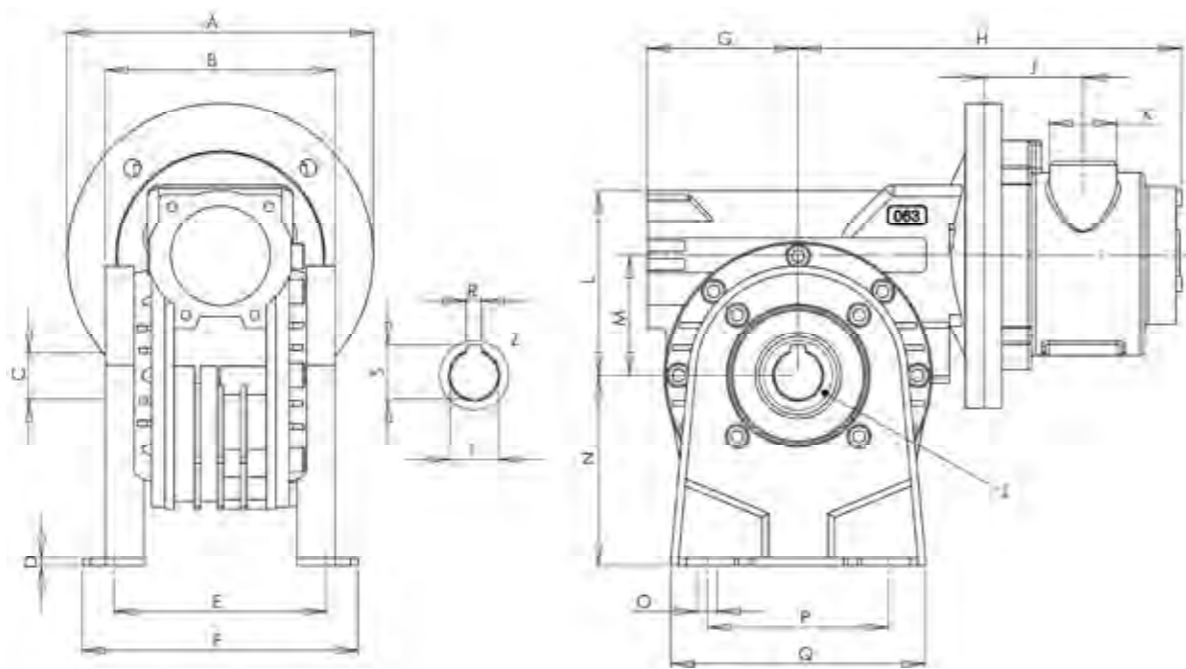
DIMENSIONS GLOBE VANE AIR MOTORS WORM GEARBOX - FLANGE MODEL



Ordering code	A	B	C	D	E	F	G	H	J
VS4DW63FG7	160 (6.29")	120 (4.72")	25H8 (0.98")	75h8 (2.95")	45 (1.77")	5 (0.19")	79 (3.11")	203 (7.99")	55 (2.16")
VS4DW63FG15	160 (6.29")	120 (4.72")	25H8 (0.98")	75h8 (2.95")	45 (1.77")	5 (0.19")	79 (3.11")	203 (7.99")	55 (2.16")
VS4DW63FG30	160 (6.29")	120 (4.72")	25H8 (0.98")	75h8 (2.95")	45 (1.77")	5 (0.19")	79 (3.11")	203 (7.99")	55 (2.16")
VS4DW63FG45	160 (6.29")	120 (4.72")	25H8 (0.98")	75h8 (2.95")	45 (1.77")	5 (0.19")	79 (3.11")	203 (7.99")	55 (2.16")
VS4DW85FG67	160 (6.29")	135 (5.31")	35H8 (1.37")	110h8 (4.33")	64 (2.52")	3.5 (0.14")	98 (3.86")	227 (8.94")	55 (2.16")
VS4DW85FG74	160 (6.29")	135 (5.31")	35H8 (1.37")	110h8 (4.33")	64 (2.52")	3.5 (0.14")	98 (3.86")	227 (8.94")	55 (2.16")
VS6DW63FG7	200 (7.87")	120 (4.72")	25H8 (0.98")	75h8 (2.95")	45 (1.77")	5 (0.19")	79 (3.11")	252 (9.92")	78 (3.07")
VS6DW63FG15	200 (7.87")	120 (4.72")	25H8 (0.98")	75h8 (2.95")	45 (1.77")	5 (0.19")	79 (3.11")	252 (9.92")	78 (3.07")
VS6DW85FG28	200 (7.87")	135 (5.31")	35H8 (1.37")	110h8 (4.33")	64 (2.52")	3.5 (0.14")	98 (3.86")	276 (10.86")	78 (3.07")
VS6DW85FG46	200 (7.87")	135 (5.31")	35H8 (1.37")	110h8 (4.33")	64 (2.52")	3.5 (0.14")	98 (3.86")	276 (10.86")	78 (3.07")
VS6DW110FG64	200 (7.87")	155 (6.10")	42H8 (1.65")	130h8 (5.12")	74 (2.91")	3.5 (0.14")	118 (4.64")	296 (11.65")	78 (3.07")
VS6DW110FG84	200 (7.87")	155 (6.10")	42H8 (1.65")	130h8 (5.12")	74 (2.91")	3.5 (0.14")	118 (4.64")	296 (11.65")	78 (3.07")
VS8DW85FG7	200 (7.87")	135 (5.31")	35H8 (1.37")	110h8 (4.33")	64 (2.52")	3.5 (0.14")	98 (3.86")	279 (10.98")	84 (3.31")
VS8DW85FG14	200 (7.87")	135 (5.31")	35H8 (1.37")	110h8 (4.33")	64 (2.52")	3.5 (0.14")	98 (3.86")	279 (10.98")	84 (3.31")
VS8DW110FG30	200 (7.87")	155 (6.10")	42H8 (1.65")	130h8 (5.12")	74 (2.91")	3.5 (0.14")	118 (4.64")	299 (11.77")	84 (3.31")
VS8DW110FG45	200 (7.87")	155 (6.10")	42H8 (1.65")	130h8 (5.12")	74 (2.91")	3.5 (0.14")	118 (4.64")	299 (11.77")	84 (3.31")
VS8DW110FG64	200 (7.87")	155 (6.10")	42H8 (1.65")	130h8 (5.12")	74 (2.91")	3.5 (0.14")	118 (4.64")	299 (11.77")	84 (3.31")
VS10DW85FG7	250 (9.84")	135 (5.31")	35H8 (1.37")	110h8 (4.33")	64 (2.52")	3.5 (0.14")	98 (3.86")	349 (13.74")	126 (4.96")
VS10DW110FG16	250 (9.84")	155 (6.10")	42H8 (1.65")	130h8 (5.12")	74 (2.91")	3.5 (0.14")	118 (4.64")	369 (14.53")	126 (4.96")
VS10DW110FG23	250 (9.84")	155 (6.10")	42H8 (1.65")	130h8 (5.12")	74 (2.91")	3.5 (0.14")	118 (4.64")	369 (14.53")	126 (4.96")

Ordering code	K	L	M	N	P	Q	R	S	T
VS4DW63FG7	G1/2"	100 (3.94")	63 (2.48")	70 (2.75")	90 (3.54")	8 (0.31")	28.3 (1.11")	25H8 (0.98")	8xM8x17 (0.31"xM8x0.67")
VS4DW63FG15	G1/2"	100 (3.94")	63 (2.48")	70 (2.75")	90 (3.54")	8 (0.31")	28.3 (1.11")	25H8 (0.98")	8xM8x17 (0.31"xM8x0.67")
VS4DW63FG30	G1/2"	100 (3.94")	63 (2.48")	70 (2.75")	90 (3.54")	8 (0.31")	28.3 (1.11")	25H8 (0.98")	8xM8x17 (0.31"xM8x0.67")
VS4DW63FG45	G1/2"	100 (3.94")	63 (2.48")	70 (2.75")	90 (3.54")	8 (0.31")	28.3 (1.11")	25H8 (0.98")	8xM8x17 (0.31"xM8x0.67")
VS4DW85FG67	G1/2"	138 (5.43")	85 (3.34")	94.5 (3.72")	130 (5.12")	10 (0.39")	38.3 (1.51")	35H8 (1.37")	4xM10x18 (0.16"xM10x0.71")
VS4DW85FG74	G1/2"	138 (5.43")	85 (3.34")	94.5 (3.72")	130 (5.12")	10 (0.39")	38.3 (1.51")	35H8 (1.37")	4xM10x18 (0.16"xM10x0.71")
VS6DW63FG7	G3/4"	100 (3.94")	63 (2.48")	70 (2.75")	90 (3.54")	8 (0.31")	28.3 (1.11")	25H8 (0.98")	8xM8x17 (0.31"xM8x0.67")
VS6DW63FG15	G3/4"	100 (3.94")	63 (2.48")	70 (2.75")	90 (3.54")	8 (0.31")	28.3 (1.11")	25H8 (0.98")	8xM8x17 (0.31"xM8x0.67")
VS6DW85FG28	G3/4"	138 (5.43")	85 (3.34")	94.5 (3.72")	130 (5.12")	10 (0.39")	38.3 (1.51")	35H8 (1.37")	4xM10x18 (0.16"xM10x0.71")
VS6DW85FG46	G3/4"	138 (5.43")	85 (3.34")	94.5 (3.72")	130 (5.12")	10 (0.39")	38.3 (1.51")	35H8 (1.37")	4xM10x18 (0.16"xM10x0.71")
VS6DW110FG64	G3/4"	163 (6.42")	110 (4.33")	116 (4.56")	165 (6.49")	12 (0.47")	45.3 (1.78")	42H8 (1.65")	8xM12x30 (0.31"xM12x1.18")
VS6DW110FG84	G3/4"	163 (6.42")	110 (4.33")	116 (4.56")	165 (6.49")	12 (0.47")	45.3 (1.78")	42H8 (1.65")	8xM12x30 (0.31"xM12x1.18")
VS8DW85FG7	G1"	138 (5.43")	85 (3.34")	94.5 (3.72")	130 (5.12")	10 (0.39")	38.3 (1.51")	35H8 (1.37")	4xM10x18 (0.16"xM10x0.71")
VS8DW85FG14	G1"	138 (5.43")	85 (3.34")	94.5 (3.72")	130 (5.12")	10 (0.39")	38.3 (1.51")	35H8 (1.37")	4xM10x18 (0.16"xM10x0.71")
VS8DW110FG30	G1"	163 (6.42")	110 (4.33")	116 (4.56")	165 (6.49")	12 (0.47")	45.3 (1.78")	42H8 (1.65")	8xM12x30 (0.31"xM12x1.18")
VS8DW110FG45	G1"	163 (6.42")	110 (4.33")	116 (4.56")	165 (6.49")	12 (0.47")	45.3 (1.78")	42H8 (1.65")	8xM12x30 (0.31"xM12x1.18")
VS8DW110FG64	G1"	163 (6.42")	110 (4.33")	116 (4.56")	165 (6.49")	12 (0.47")	45.3 (1.78")	42H8 (1.65")	8xM12x30 (0.31"xM12x1.18")
VS10DW85FG7	G 1 1/4"	138 (5.43")	85 (3.34")	94.5 (3.72")	130 (5.12")	10 (0.39")	38.3 (1.51")	35H8 (1.37")	4xM10x18 (0.16"xM10x0.71")
VS10DW110FG16	G 1 1/4"	163 (6.42")	110 (4.33")	116 (4.56")	165 (6.49")	12 (0.47")	45.3 (1.78")	42H8 (1.65")	8xM12x30 (0.31"xM12x1.18")
VS10DW110FG23	G 1 1/4"	163 (6.42")	110 (4.33")	116 (4.56")	165 (6.49")	12 (0.47")	45.3 (1.78")	42H8 (1.65")	8xM12x30 (0.31"xM12x0.67")

DIMENSIONS GLOBE VANE AIR MOTORS WORM GEARBOX - FOOT MODEL

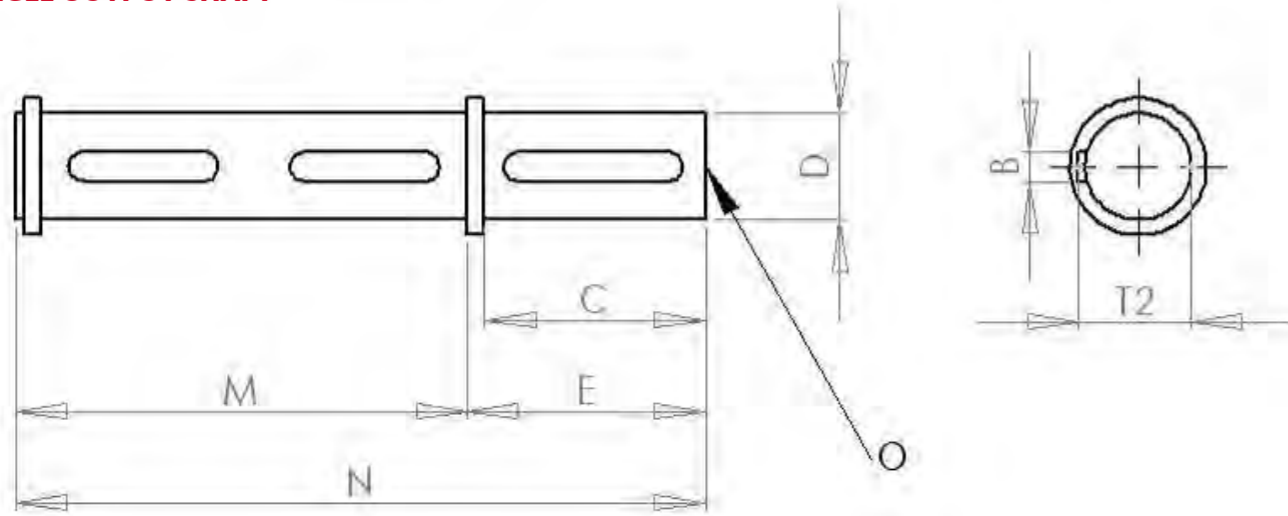


Ordering Code	A	B	C	D	E	F	G	H	J
VS4DW63BG7	160 (6.29")	120 (4.72")	25H8 (0.98")	4 (0.16")	110 (4.33")	5 (0.19")	79 (3.11")	203 (7.99")	55 (2.16")
VS4DW63BG15	160 (6.29")	120 (4.72")	25H8 (0.98")	4 (0.16")	110 (4.33")	5 (0.19")	79 (3.11")	203 (7.99")	55 (2.16")
VS4DW63BG30	160 (6.29")	120 (4.72")	25H8 (0.98")	4 (0.16")	110 (4.33")	5 (0.19")	79 (3.11")	203 (7.99")	55 (2.16")
VS4DW63BG45	160 (6.29")	120 (4.72")	25H8 (0.98")	4 (0.16")	110 (4.33")	5 (0.19")	79 (3.11")	203 (7.99")	55 (2.16")
VS4DW85BG67	160 (6.29")	135 (5.31")	35H8 (1.37")	5 (0.19")	145 (5.71")	3.5 (0.14")	98 (3.86")	227 (8.94")	55 (2.16")
VS4DW85BG74	160 (6.29")	135 (5.31")	35H8 (1.37")	5 (0.19")	145 (5.71")	3.5 (0.14")	98 (3.86")	227 (8.94")	55 (2.16")
VS6DW63BG7	200 (7.87")	120 (4.72")	25H8 (0.98")	4 (0.16")	110 (4.33")	5 (0.19")	79 (3.11")	252 (9.92")	78 (3.07")
VS6DW63BG15	200 (7.87")	120 (4.72")	25H8 (0.98")	4 (0.16")	110 (4.33")	5 (0.19")	79 (3.11")	252 (9.92")	78 (3.07")
VS6DW85BG28	200 (7.87")	135 (5.31")	35H8 (1.37")	5 (0.19")	145 (5.71")	3.5 (0.14")	98 (3.86")	276 (10.86")	78 (3.07")
VS6DW85BG46	200 (7.87")	135 (5.31")	35H8 (1.37")	5 (0.19")	145 (5.71")	3.5 (0.14")	98 (3.86")	276 (10.86")	78 (3.07")
VS6DW110BG64	200 (7.87")	155 (6.10")	42H8 (1.65")	22 (0.86")	180 (7.10")	3.5 (0.14")	118 (4.64")	296 (11.65")	78 (3.07")
VS6DW110BG84	200 (7.87")	155 (6.10")	42H8 (1.65")	22 (0.86")	180 (7.10")	3.5 (0.14")	118 (4.64")	296 (11.65")	78 (3.07")
VS8DW85BG7	200 (7.87")	135 (5.31")	35H8 (1.37")	5 (0.19")	145 (5.71")	3.5 (0.14")	98 (3.86")	279 (10.98")	84 (3.31")
VS8DW85BG14	200 (7.87")	135 (5.31")	35H8 (1.37")	5 (0.19")	145 (5.71")	3.5 (0.14")	98 (3.86")	279 (10.98")	84 (3.31")
VS8DW110BG30	200 (7.87")	155 (6.10")	42H8 (1.65")	22 (0.86")	180 (7.10")	3.5 (0.14")	118 (4.64")	299 (11.77")	84 (3.31")
VS8DW110BG45	200 (7.87")	155 (6.10")	42H8 (1.65")	22 (0.86")	180 (7.10")	3.5 (0.14")	118 (4.64")	299 (11.77")	84 (3.31")
VS8DW110BG64	200 (7.87")	155 (6.10")	42H8 (1.65")	22 (0.86")	180 (7.10")	3.5 (0.14")	118 (4.64")	299 (11.77")	84 (3.31")
VS10DW85BG7	250 (9.84")	135 (5.31")	35H8 (1.37")	5 (0.19")	145 (5.71")	3.5 (0.14")	98 (3.86")	349 (13.74")	126 (4.96")
VS10DW110BG16	250 (9.84")	155 (6.10")	42H8 (1.65")	22 (0.86")	180 (7.10")	3.5 (0.14")	118 (4.64")	369 (14.53")	126 (4.96")
VS10DW110BG23	250 (9.84")	155 (6.10")	42H8 (1.65")	22 (0.86")	180 (7.10")	3.5 (0.14")	118 (4.64")	369 (14.53")	126 (4.96")

Ordering Code	K	L	M	N	O	P	Q	R	S	T
VS4DW63FG7	G1/2"	100 (3.94")	63 (2.48")	100 (3.94")	10,5 (0.41")	95 (3.74")	133 (5.23")	8 (0.31")	28.3 (1.11")	25H8 (0.98")
VS4DW63FG15	G1/2"	100 (3.94")	63 (2.48")	100 (3.94")	10,5 (0.41")	95 (3.74")	133 (5.23")	8 (0.31")	28.3 (1.11")	25H8 (0.98")
VS4DW63FG30	G1/2"	100 (3.94")	63 (2.48")	100 (3.94")	10,5 (0.41")	95 (3.74")	133 (5.23")	8 (0.31")	28.3 (1.11")	25H8 (0.98")
VS4DW63FG45	G1/2"	100 (3.94")	63 (2.48")	100 (3.94")	10,5 (0.41")	95 (3.74")	133 (5.23")	8 (0.31")	28.3 (1.11")	25H8 (0.98")
VS4DW85FG67	G1/2"	138 (5.43")	85 (3.34")	142 (5.60")	10,5 (0.41")	140 (5.51")	180 (7.10")	10 (0.39")	38.3 (1.51")	35H8 (1.37")
VS4DW85FG74	G1/2"	138 (5.43")	85 (3.34")	142 (5.60")	10,5 (0.41")	140 (5.51")	180 (7.10")	10 (0.39")	38.3 (1.51")	35H8 (1.37")
VS6DW63FG7	G3/4"	100 (3.94")	63 (2.48")	100 (3.94")	10,5 (0.41")	95 (3.74")	133 (5.23")	8 (0.31")	28.3 (1.11")	25H8 (0.98")
VS6DW63FG15	G3/4"	100 (3.94")	63 (2.48")	100 (3.94")	10,5 (0.41")	95 (3.74")	133 (5.23")	8 (0.31")	28.3 (1.11")	25H8 (0.98")
VS6DW85FG28	G3/4"	138 (5.43")	85 (3.34")	142 (5.60")	10,5 (0.41")	140 (5.51")	180 (7.10")	10 (0.39")	38.3 (1.51")	35H8 (1.37")
VS6DW85FG46	G3/4"	138 (5.43")	85 (3.34")	142 (5.60")	10,5 (0.41")	140 (5.51")	180 (7.10")	10 (0.39")	38.3 (1.51")	35H8 (1.37")
VS6DW110FG64	G3/4"	163 (6.42")	110 (4.33")	170 (6.70")	13 (0.51")	200 (7.87")	240 (9.45")	12 (0.47")	45.3 (1.78")	42H8 (1.65")
VS6DW110FG84	G3/4"	163 (6.42")	110 (4.33")	170 (6.70")	13 (0.51")	200 (7.87")	240 (9.45")	12 (0.47")	45.3 (1.78")	42H8 (1.65")
VS8DW85FG7	G1"	138 (5.43")	85 (3.34")	142 (5.60")	10,5 (0.41")	140 (5.51")	180 (7.10")	10 (0.39")	38.3 (1.51")	35H8 (1.37")
VS8DW85FG14	G1"	138 (5.43")	85 (3.34")	142 (5.60")	10,5 (0.41")	140 (5.51")	180 (7.10")	10 (0.39")	38.3 (1.51")	35H8 (1.37")
VS8DW110FG30	G1"	163 (6.42")	110 (4.33")	170 (6.70")	13 (0.51")	200 (7.87")	240 (9.45")	12 (0.47")	45.3 (1.78")	42H8 (1.65")
VS8DW110FG45	G1"	163 (6.42")	110 (4.33")	170 (6.70")	13 (0.51")	200 (7.87")	240 (9.45")	12 (0.47")	45.3 (1.78")	42H8 (1.65")
VS8DW110FG64	G1"	163 (6.42")	110 (4.33")	170 (6.70")	13 (0.51")	200 (7.87")	240 (9.45")	12 (0.47")	45.3 (1.78")	42H8 (1.65")
VS10DW85FG7	G 1 1/4"	138 (5.43")	85 (3.34")	142 (5.60")	10,5 (0.41")	140 (5.51")	180 (7.10")	10 (0.39")	38.3 (1.51")	35H8 (1.37")
VS10DW110FG16	G 1 1/4"	163 (6.42")	110 (4.33")	170 (6.70")	13 (0.51")	200 (7.87")	240 (9.45")	12 (0.47")	45.3 (1.78")	42H8 (1.65")
VS10DW110FG23	G 1 1/4"	163 (6.42")	110 (4.33")	170 (6.70")	13 (0.51")	200 (7.87")	240 (9.45")	12 (0.47")	45.3 (1.78")	42H8 (1.65")

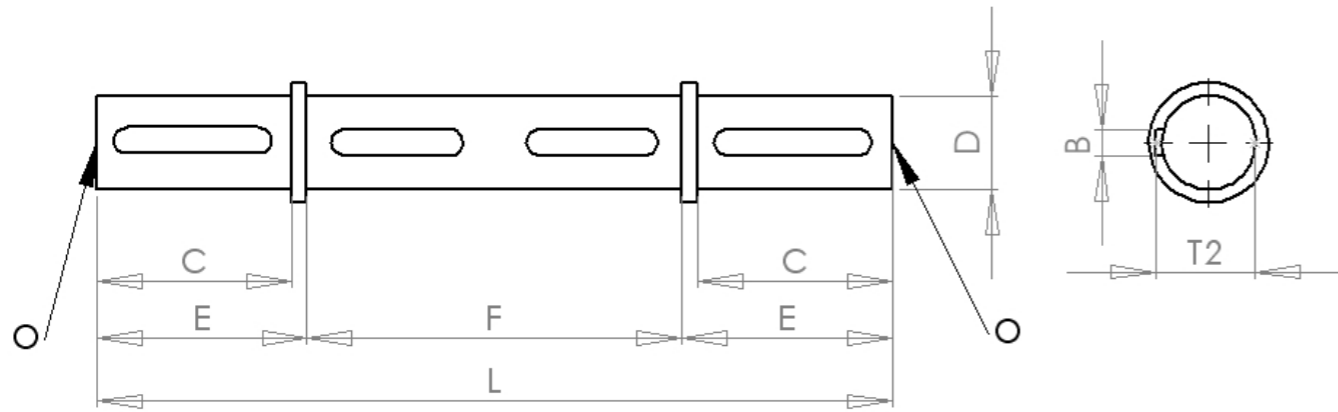
DIMENSIONS OUTPUT SHAFT FOR WORM GEARS (OPTIONAL)

SINGLE OUTPUT SHAFT



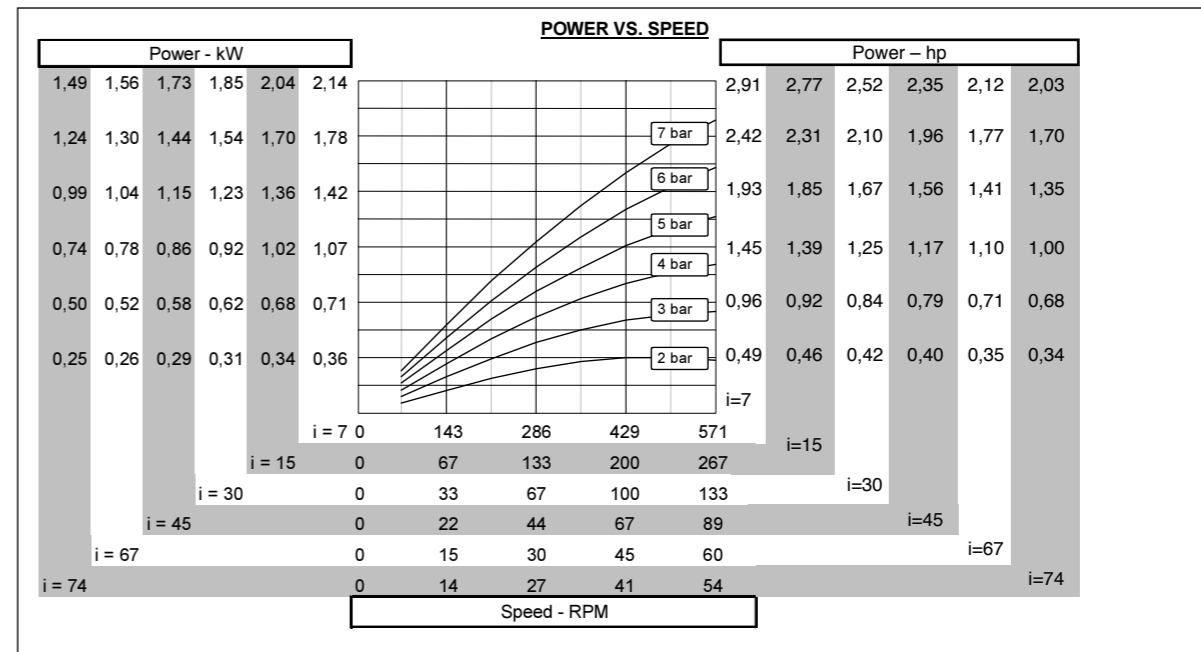
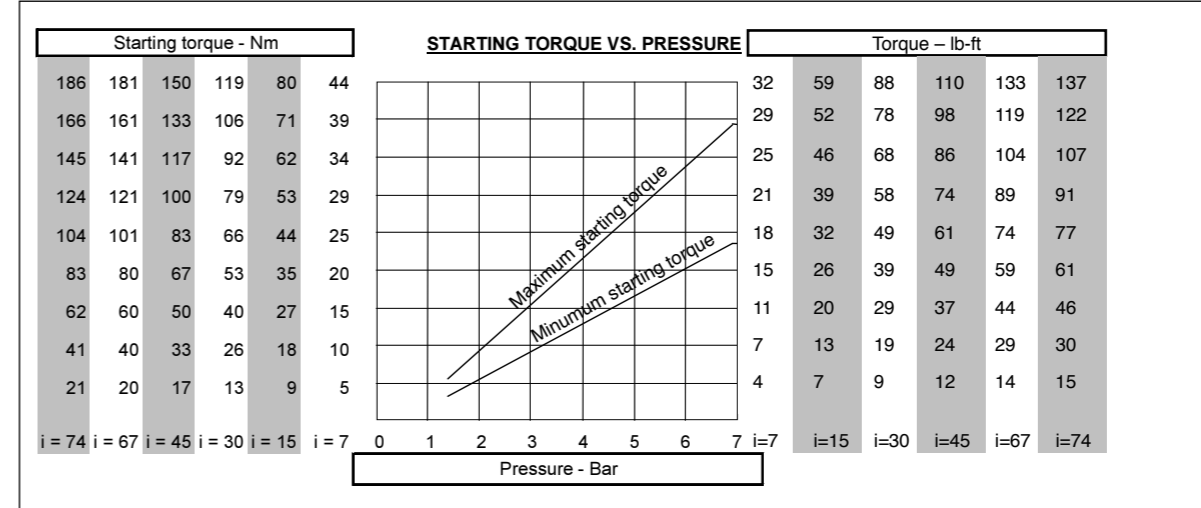
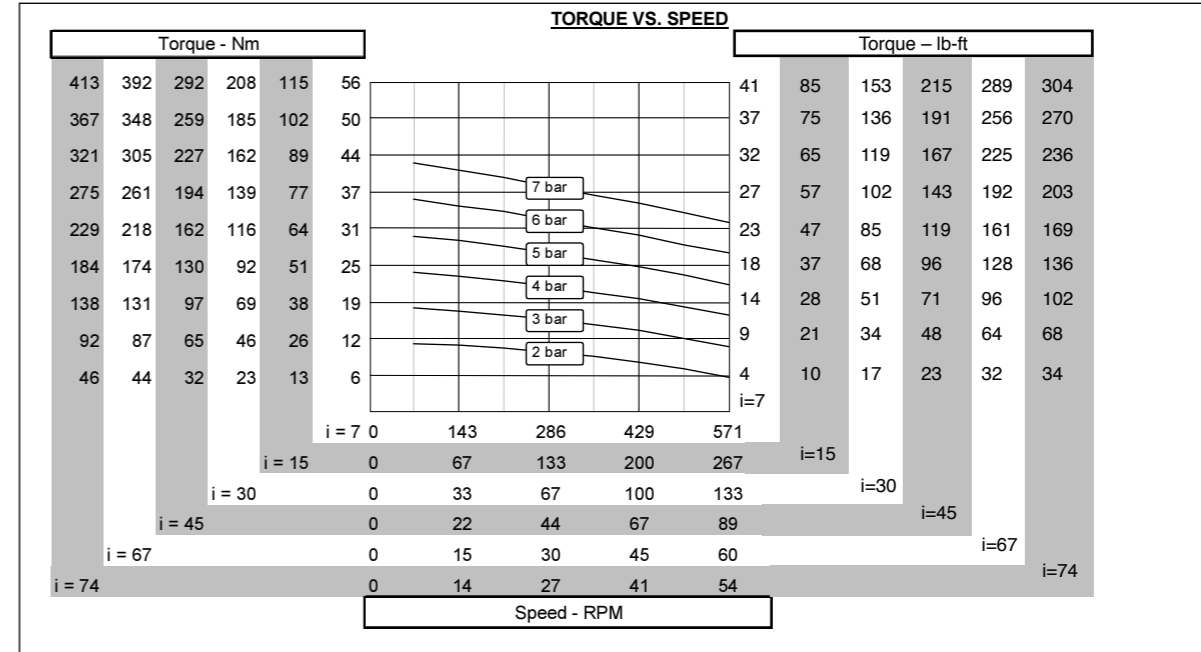
Size gearbox	B	C	D	E	M	N	O	T2
063	8 (0.31")	60 (2.36")	25 (0.98")	63 (2.48")	127 (5.00")	190 (7.48")	M8x20 (0.79")	28.3 (1.11")
085	10 (0.39")	60 (2.36")	35 (1.38")	73.5 (2.89")	140 (5.51")	214 (8.42")	M10x23 (0.90")	38.3 (1.51")
110	12 (0.47")	75 (2.95")	42 (1.65")	96.5 (3.80")	163.5 (6.43")	260 (10.23")	M12x32 (1.26")	45.3 (1.78")

DOUBLE OUTPUT SHAFT

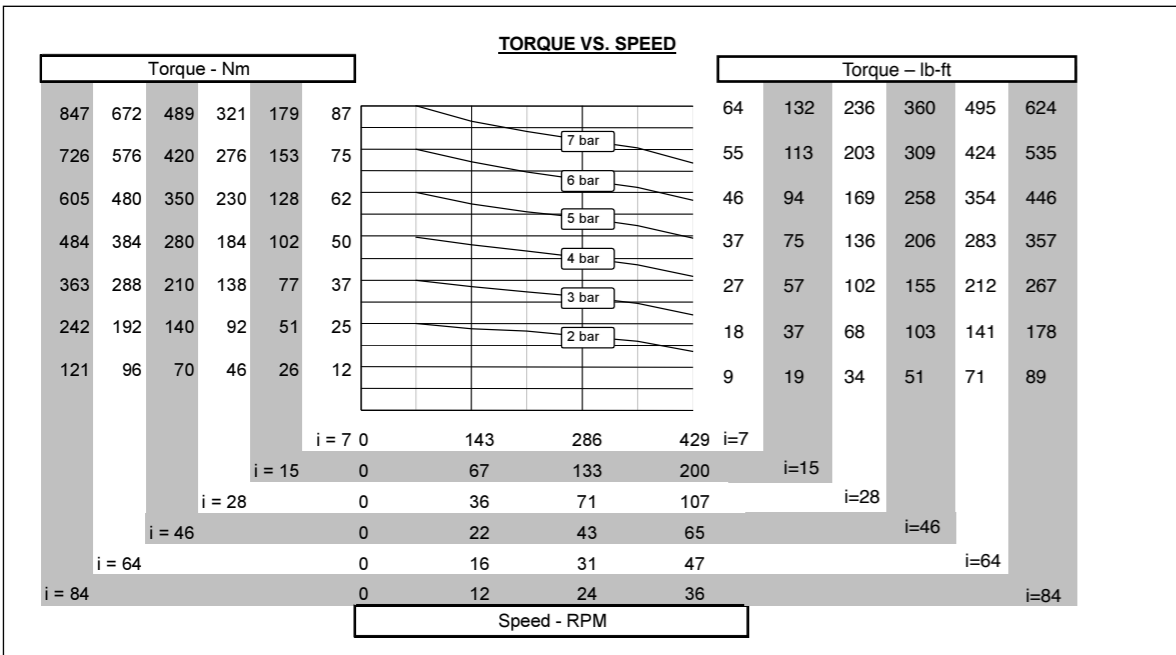


Size gearbox	B	C	D	E	F	L	O	T2
063	8 (0.31")	60 (2.36")	25 (0.98")	63 (2.48")	120 (4.72")	246,4 (9.70")	M8x20 (0.79")	28.3 (1.11")
085	10 (0.39")	60 (2.36")	35 (1.38")	73.5 (2.89")	135 (5.31")	282 (11.10")	M10x23 (0.90")	38.3 (1.51")
110	12 (0.47")	75 (2.95")	42 (1.65")	96.5 (3.80")	155 (6.10")	348 (13.70")	M12x32 (1.26")	45.3 (1.78")

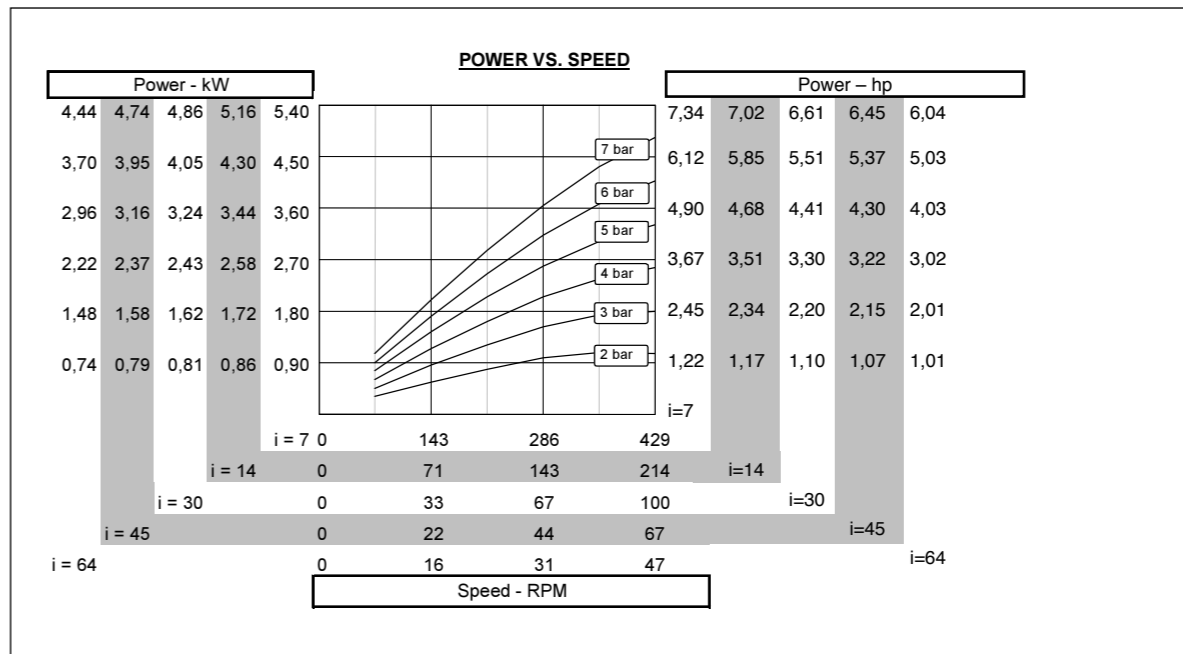
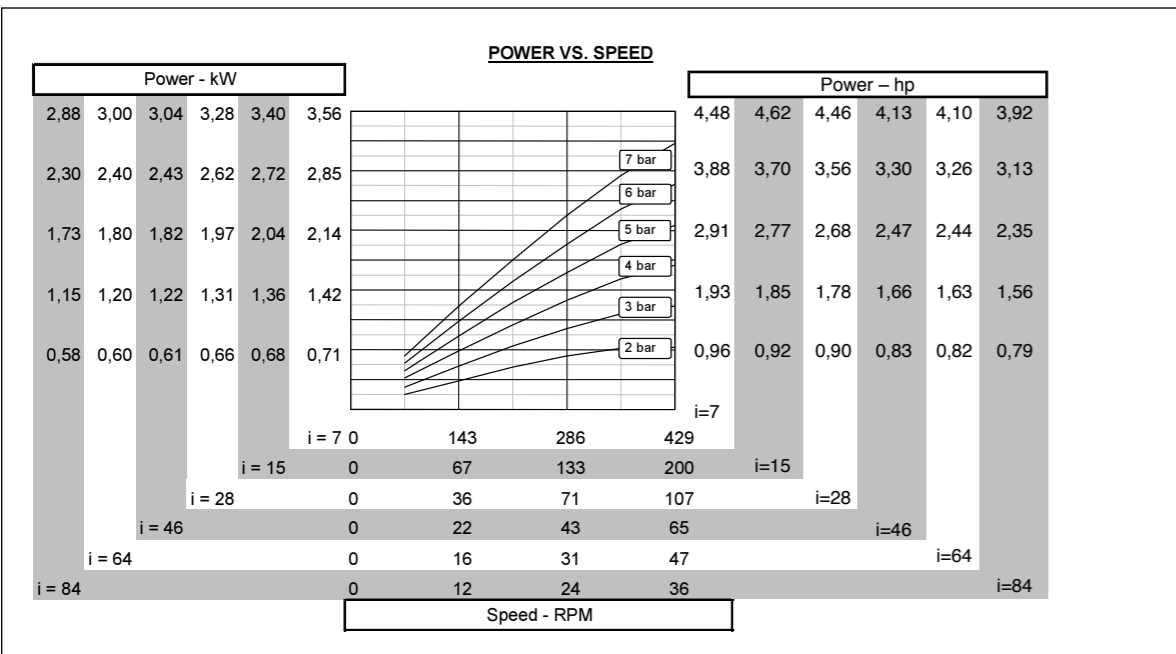
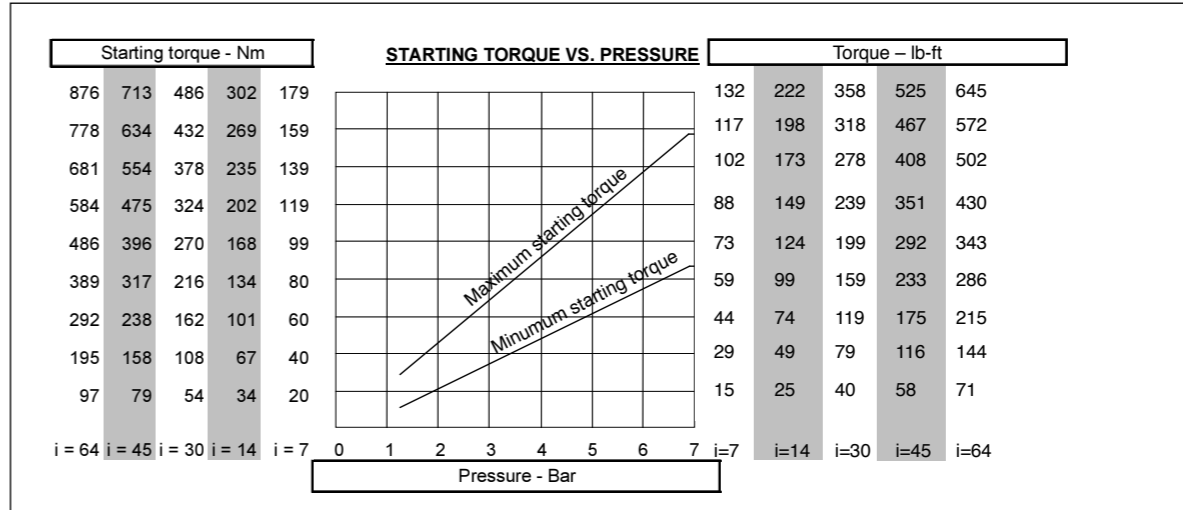
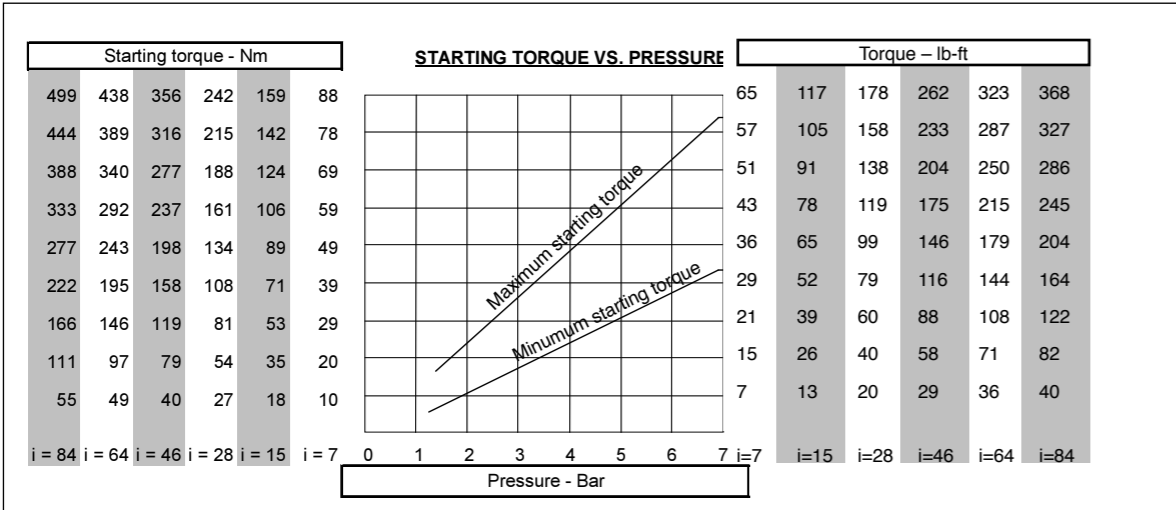
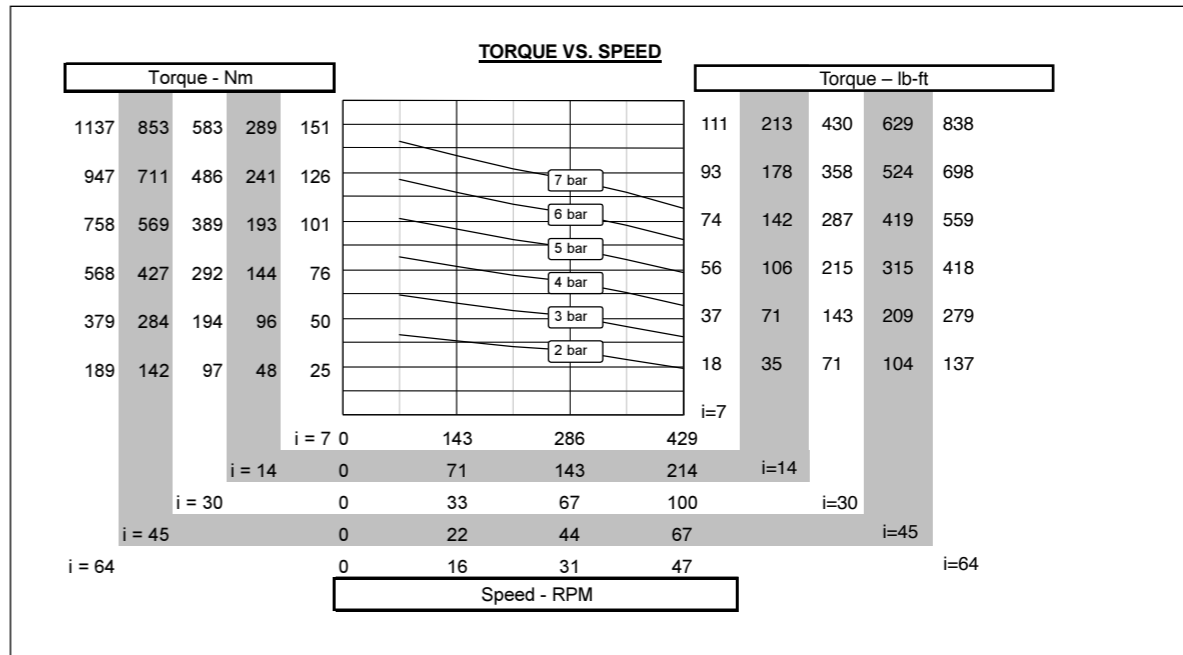
PERFORMANCES GLOBE VS4C AIR MOTOR WORM GEARBOX



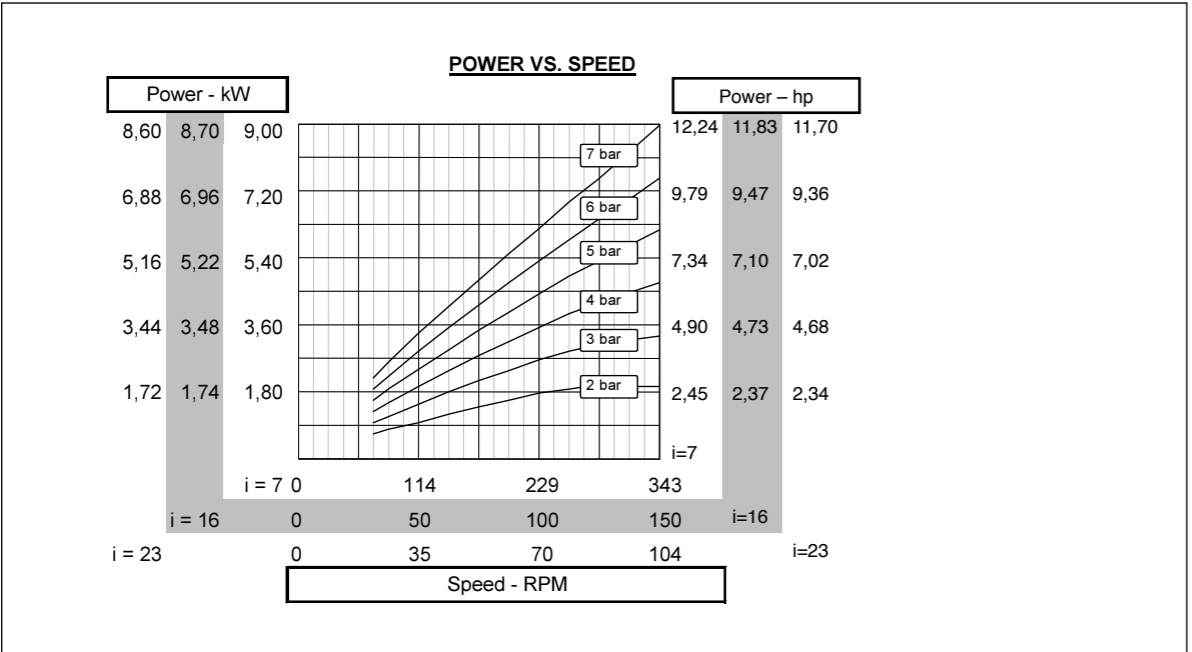
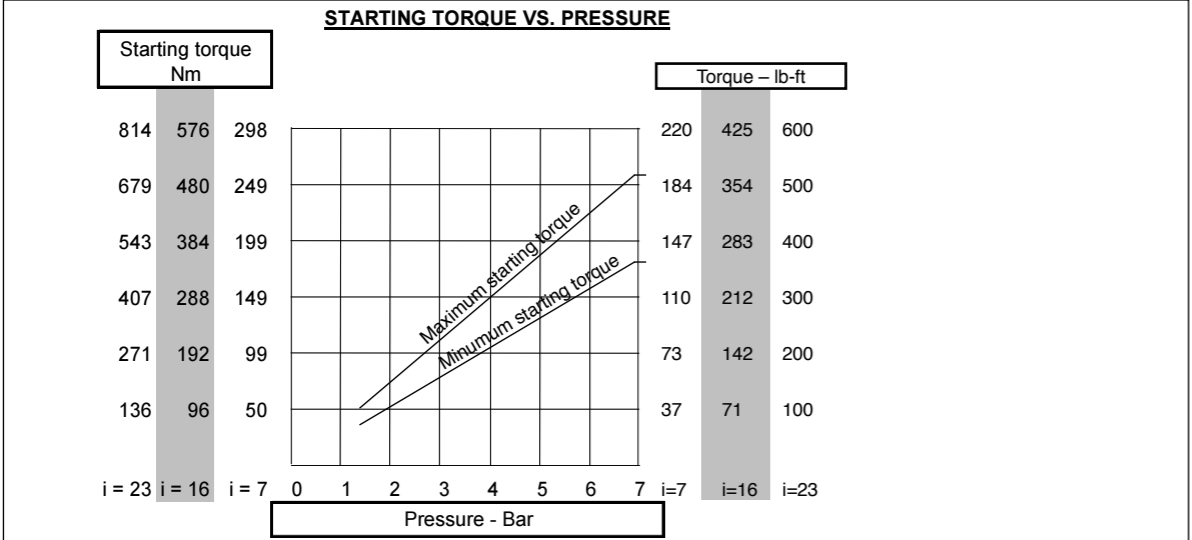
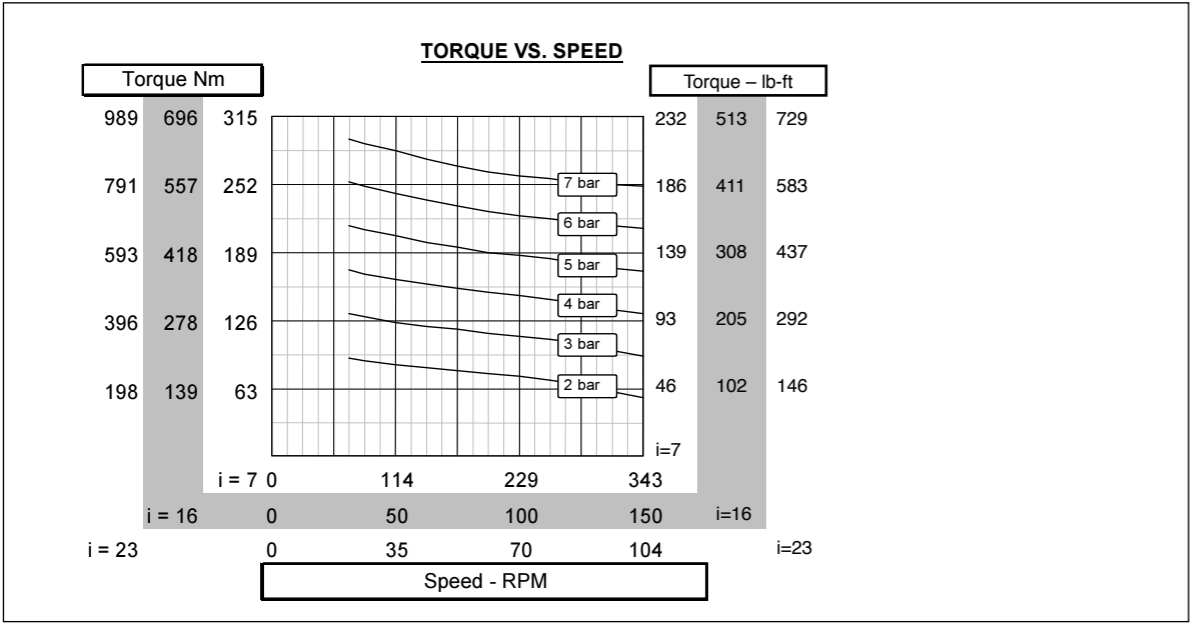
PERFORMANCES GLOBE VS6C AIR MOTOR WORM GEARBOX



PERFORMANCES GLOBE VS8C AIR MOTOR WORM GEARBOX



PERFORMANCES GLOBE VS10C AIR MOTOR WORM GEARBOX



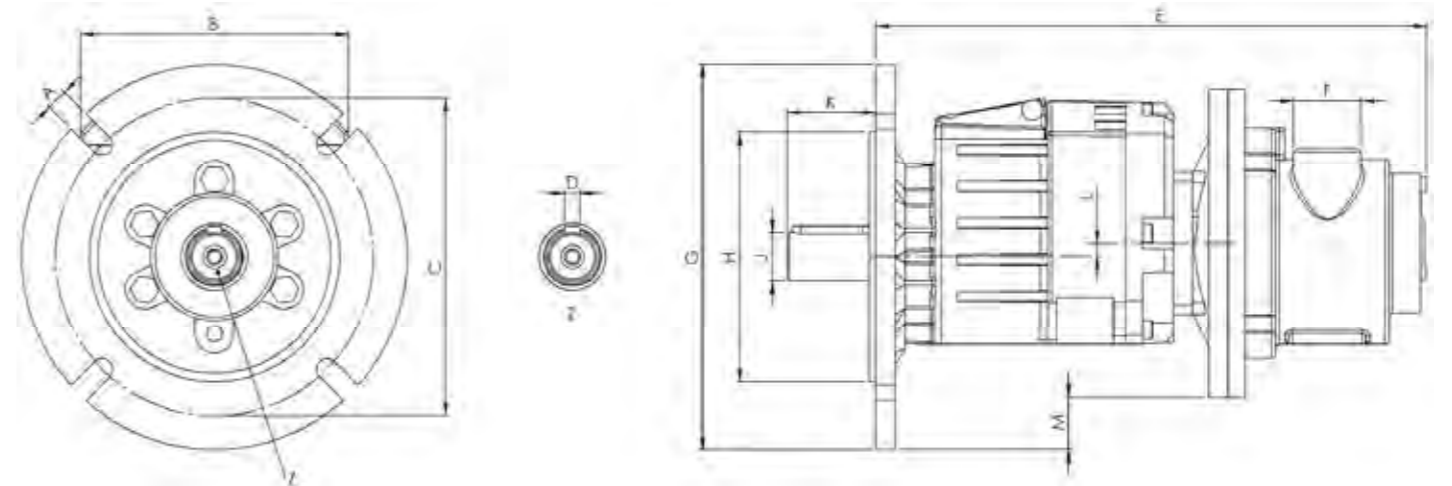
PERFORMANCE GLOBE VANE AIR MOTORS WITH COAXIAL GEARS

Ordering code flange model	Ordering code foot model	i	Power* (kW / hp)	Max. rpm**	Nominal torque (Nm / lb-ft)	Min. starting torque (Nm / lb-ft)	Weight flange model (Kg / lb)	Weight foot model (Kg / lb)
GLOBE V4 + coaxial gear								
VS4DA402FG10	VS4DA402BG10	10	1.5kW / 2.0hp	300	48Nm / 35lb-ft	42Nm / 31lb-ft	15Kg / 33lb	15Kg / 33lb
VS4DA402FG22	VS4DA402BG22	22	1.5kW / 2.0hp	136	106Nm / 78lb-ft	92Nm / 68lb-ft	15Kg / 33lb	15Kg / 33lb
VS4DC402FG29	VS4DA402BG29	29	1.5kW / 2.0hp	103	139Nm / 102lb-ft	122Nm / 90lb-ft	15Kg / 33lb	15Kg / 33lb
VS4DC402FG38	VS4DA402BG38	38	1.5kW / 2.0hp	79	182Nm / 134lb-ft	160Nm / 118lb-ft	15Kg / 33lb	15Kg / 33lb
VS4DC403FG51	VS4DA403BG51	51	1.5kW / 2.0hp	59	245Nm / 181lb-ft	214Nm / 158lb-ft	15Kg / 33lb	15Kg / 33lb
GLOBE V6 + coaxial gear								
VS6DA402FG10	VS6DA402BG10	10	2.9kW / 3.9hp	300	92Nm / 68lb-ft	75Nm / 55lb-ft	21Kg / 46lb	21Kg / 46lb
VS6DA402FG22	VS6DA402BG22	22	2.9kW / 3.9hp	136	202Nm / 149lb-ft	165Nm / 122lb-ft	21Kg / 46lb	21Kg / 46lb
VS6DA602FG29	VS6DA602BG29	29	2.9kW / 3.9hp	103	267Nm / 197lb-ft	218Nm / 161lb-ft	34Kg / 75lb	33Kg / 72,6lb
VS6DA602FG40	VS6DA602BG40	40	2.9kW / 3.9hp	75	368Nm / 271lb-ft	300Nm / 221lb-ft	34Kg / 75lb	33Kg / 72,6lb
VS6DA603FG55	VS6DA603BG55	55	2.9kW / 3.9hp	60	460Nm / 339lb-ft	375Nm / 276lb-ft	50Kg / 110lb	48Kg / 105,6lb
GLOBE V8 + coaxial gear								
VS8DA602FG10	VS8DA602BG10	10	4.5kW / 6.1hp	300	145Nm / 107lb-ft	150Nm / 111lb-ft	23Kg / 50,6lb	22Kg / 48,4lb
VS8DA602FG20	VS8DA602BG20	20	4.5kW / 6.1hp	150	290Nm / 214lb-ft	300Nm / 221lb-ft	36Kg / 79,2lb	34Kg / 74,8lb
VS8DA602FG30	VS8DA602BG30	30	4.5kW / 6.1hp	100	435Nm / 321lb-ft	450Nm / 332lb-ft	50kg / 110lb	48Kg / 105,6lb
GLOBE V8 + planetary gear								
VS8EPFG300FG42	VS8EPFG300BG42	42	4.5kW / 6.1hp	71	609Nm / 449lb-ft	630Nm / 464lb-ft	39Kg / 85,8lb	44Kg / 96,8lb
VS8EPFG300FG52	VS8EPFG300BG52	52	4.5kW / 6.1hp	55	754Nm / 556lb-ft	720Nm / 531lb-ft	39Kg / 85,8lb	44Kg / 96,8lb
GLOBE V10 + planetary gear								
VS10EPFG301FG20	VS10EPFG301BG20	20	8.3kW / 11.3hp	120	660Nm / 486lb-ft	600Nm / 442lb-ft	52Kg / 114,4lb	57Kg / 125,4lb
VS10EPFG301FG31	VS10EPFG301BG31	31	8.3kW / 11.3hp	77	1023Nm / 754lb-ft	930Nm / 685lb-ft	52Kg / 114,4lb	57Kg / 125,4lb
VS10EPFG301FG42	VS10EPFG301BG42	42	8.3kW / 11.3hp	57	1386Nm / 1021lb-ft	1260Nm / 925lb-ft	52Kg / 114,4lb	57Kg / 125,4lb
VS10EPFG301FG52	VS10EPFG301BG52	52	8.3kW / 11.3hp	46	1716Nm / 1265lb-ft	1560Nm / 1150lb-ft	52Kg / 114,4lb	57Kg / 125,4lb

* Power and nominal torque at 6 bar and motor input speed of 3000 rpm (V4, V6, V8) and 2400 rpm (V10).

** In applications where the motor input speed exceeds 2200 rpm, only intermittent use is tolerated.

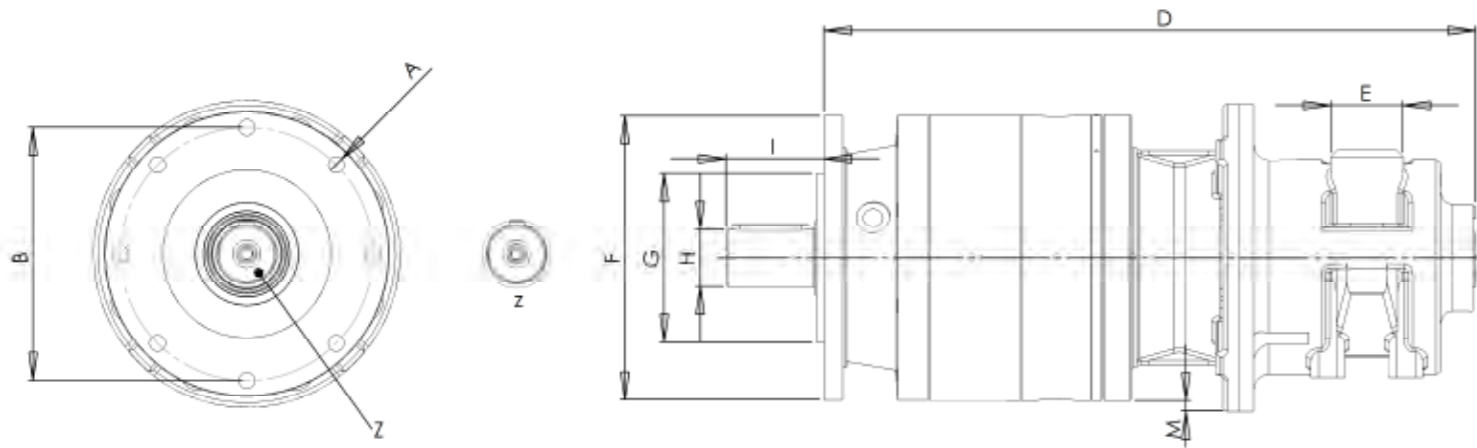
DIMENSIONS GLOBE VANE AIR MOTORS WITH COAXIAL GEARS - FLANGE MODEL



Ordering code	A	B	C	D	E	F
VS4DA402FG10	11 (0.43")	139 (5.47")	Ø165 (6.49")	8 (0.31")	283 (9.37")	G1/2"
VS4DA402FG22	11 (0.43")	139 (5.47")	Ø165 (6.49")	8 (0.31")	283 (9.37")	G1/2"
VS4DA402FG29	11 (0.43")	139 (5.47")	Ø165 (6.49")	8 (0.31")	283 (9.37")	G1/2"
VS4DA402FG38	11 (0.43")	139 (5.47")	Ø165 (6.49")	8 (0.31")	283 (9.37")	G1/2"
VS4DA403FG51	11 (0.43")	139 (5.47")	Ø165 (6.49")	8 (0.31")	288 (11.33")	G1/2"
VS6DA402FG10	Ø14 (0.55")	139 (5.47")	Ø215 (8.46")	8 (0.31")	337 (13.26")	G3/4"
VS6DA402FG22	Ø14 (0.55")	139 (5.47")	Ø215 (8.46")	8 (0.31")	337 (13.26")	G3/4"
VS6DA602FG29	Ø14 (0.55")	202 (7.95")	Ø215 (8.46")	8 (0.31")	401 (15.78")	G3/4"
VS6DA602FG40	Ø14 (0.55")	202 (7.95")	Ø215 (8.46")	8 (0.31")	401 (15.78")	G3/4"
VS6DA603FG55	Ø14 (0.55")	202 (7.95")	Ø215 (8.46")	8 (0.31")	408 (16.06")	G3/4"
VS8DA602FG10	Ø14 (0.55")	202 (7.95")	Ø164 (6.45")	8 (0.31")	404 (15.90")	G1"
VS8DA602FG20	Ø14 (0.55")	202 (7.95")	Ø164 (6.45")	8 (0.31")	404 (15.90")	G1"
VS8DA602FG30	Ø14 (0.55")	202 (7.95")	Ø164 (6.45")	8 (0.31")	404 (15.90")	G1"

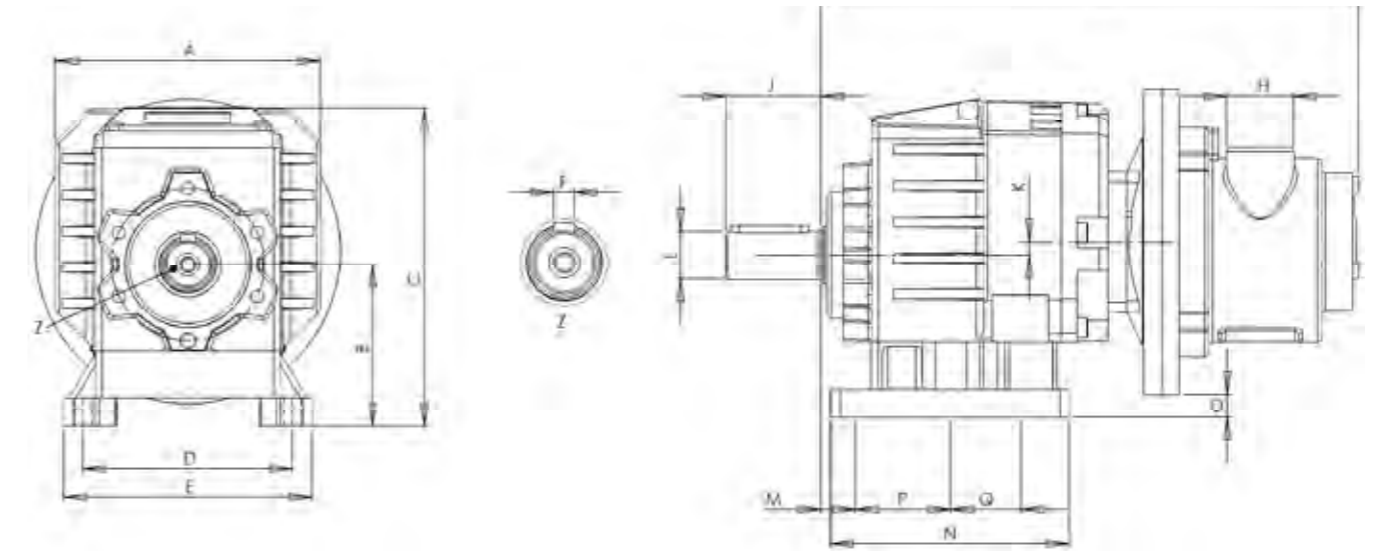
Ordering code	G	H	J	K	L	M
VS4DA402FG10	Ø200 (7.87")	Ø130 (5.12")	Ø25h6 (0.98")	46 (1.81")	7 (0.27")	27 (1.06")
VS4DA402FG22	Ø200 (7.87")	Ø130 (5.12")	Ø25h6 (0.98")	46 (1.81")	7 (0.27")	27 (1.06")
VS4DA402FG29	Ø200 (7.87")	Ø130 (5.12")	Ø25h6 (0.98")	46 (1.81")	7 (0.27")	27 (1.06")
VS4DA402FG38	Ø200 (7.87")	Ø130 (5.12")	Ø25h6 (0.98")	46 (1.81")	7 (0.27")	27 (1.06")
VS4DA403FG51	Ø200 (7.87")	Ø130 (5.12")	Ø25h6 (0.98")	46 (1.81")	3 (0.12")	23 (0.90")
VS6DA402FG10	Ø250 (9.84")	Ø180 (7.08")	Ø25h6 (0.98")	46 (1.81")	7 (0.27")	32 (1.26")
VS6DA402FG22	Ø250 (9.84")	Ø180 (7.08")	Ø25h6 (0.98")	46 (1.81")	7 (0.27")	32 (1.26")
VS6DA602FG29	Ø250 (9.84")	Ø180 (7.08")	Ø30h6 (1.18")	58 (2.28")	22 (0.86")	47 (1.85")
VS6DA602FG40	Ø250 (9.84")	Ø180 (7.08")	Ø30h6 (1.18")	58 (2.28")	22 (0.86")	47 (1.85")
VS6DA603FG55	Ø250 (9.84")	Ø180 (7.08")	Ø30h6 (1.18")	58 (2.28")	16 (0.63")	41 (1.61")
VS8DA602FG10	Ø200 (7.87")	Ø128 (5.04")	Ø30h6 (1.18")	54 (2.12")	22 (0.86")	22 (0.86")
VS8DA602FG20	Ø200 (7.87")	Ø128 (5.04")	Ø30h6 (1.18")	54 (2.12")	22 (0.86")	22 (0.86")
VS8DA602FG30	Ø200 (7.87")	Ø128 (5.04")	Ø30h6 (1.18")	54 (2.12")	22 (0.86")	22 (0.86")

DIMENSIONS GLOBE VANE AIR MOTORS WITH PLANETARY GEARS - FLANGE MODEL



Ordering code	A	B	C	D	E	F	G	H	I
VS8EPFG300FG42	Ø10,5 (0.41")	Ø165 (6.49")	10 (0.39")	426 (16.77")	G1"	Ø185 (7.28")	Ø110 (4.33")	Ø38h6 (1.49")	64 (2.52")
VS8EPFG300FG52	Ø10,5 (0.41")	Ø165 (6.49")	10 (0.39")	426 (16.77")	G1"	Ø185 (7.28")	Ø110 (4.33")	Ø38h6 (1.49")	64 (2.52")
VS10EPFG301FG20	Ø10,5 (0.41")	Ø165 (6.49")	10 (0.39")	465 (18.30")	G1¼"	Ø250 (9.84")	Ø110 (4.33")	Ø38h6 (1.49")	64 (2.52")
VS10EPFG301FG31	Ø10,5 (0.41")	Ø165 (6.49")	10 (0.39")	465 (18.30")	G1¼"	Ø250 (9.84")	Ø110 (4.33")	Ø38h6 (1.49")	64 (2.52")
VS10EPFG301FG42	Ø10,5 (0.41")	Ø165 (6.49")	10 (0.39")	465 (18.30")	G1¼"	Ø250 (9.84")	Ø110 (4.33")	Ø38h6 (1.49")	64 (2.52")
VS10EPFG301FG52	Ø10,5 (0.41")	Ø165 (6.49")	10 (0.39")	465 (18.30")	G1¼"	Ø250 (9.84")	Ø110 (4.33")	Ø38h6 (1.49")	64 (2.52")

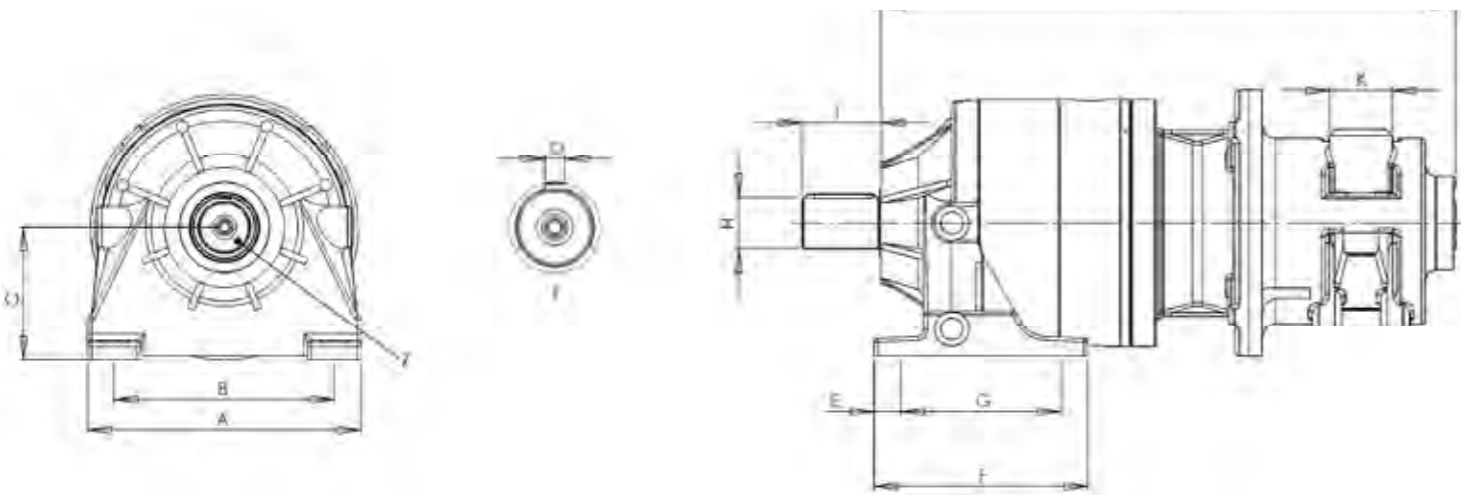
DIMENSIONS GLOBE VANE AIR MOTORS WITH COAXIAL GEARS - FOOT MODEL



Motor + gear size	A	B	C	D	E	F	G	H
VS4DA402BG10	139 (5.47")	85 (3.34")	167 (6.57")	110 (4.33")	130 (5.12")	8 (0.31")	282 (11.10")	G1/2"
VS4DA402BG22	139 (5.47")	85 (3.34")	167 (6.57")	110 (4.33")	130 (5.12")	8 (0.31")	282 (11.10")	G1/2"
VS4DA402BG29	139 (5.47")	85 (3.34")	167 (6.57")	110 (4.33")	130 (5.12")	8 (0.31")	282 (11.10")	G1/2"
VS4DA402BG38	139 (5.47")	85 (3.34")	167 (6.57")	110 (4.33")	130 (5.12")	8 (0.31")	282 (11.10")	G1/2"
VS4DA403BG51	139 (5.47")	85 (3.34")	167 (6.57")	110 (4.33")	130 (5.12")	8 (0.31")	281 (11.06")	G1/2"
VS6DA402BG10	139 (5.47")	85 (3.34")	167 (6.57")	110 (4.33")	130 (5.12")	8 (0.31")	333 (13.11")	G3/4"
VS6DA402BG22	139 (5.47")	85 (3.34")	167 (6.57")	110 (4.33")	130 (5.12")	8 (0.31")	333 (13.11")	G3/4"
VS6DA602BG29	202 (7.95")	130 (5.12")	234 (9.21")	180 (7.08")	216 (8.50")	8 (0.31")	399 (15.71")	G3/4"
VS6DA602BG40	202 (7.95")	130 (5.12")	234 (9.21")	180 (7.08")	216 (8.50")	8 (0.31")	399 (15.71")	G3/4"
VS6DA603BG55	202 (7.95")	130 (5.12")	234 (9.21")	180 (7.08")	216 (8.50")	8 (0.31")	408 (16.06")	G3/4"
VS8DA602BG10	202 (7.95")	130 (5.12")	234 (9.21")	180 (7.08")	216 (8.50")	8 (0.31")	402 (15.83")	G1"
VS8DA602BG20	202 (7.95")	130 (5.12")	234 (9.21")	180 (7.08")	216 (8.50")	8 (0.31")	402 (15.83")	G1"
VS8DA602BG30	202 (7.95")	130 (5.12")	234 (9.21")	180 (7.08")	216 (8.50")	8 (0.31")	402 (15.83")	G1"

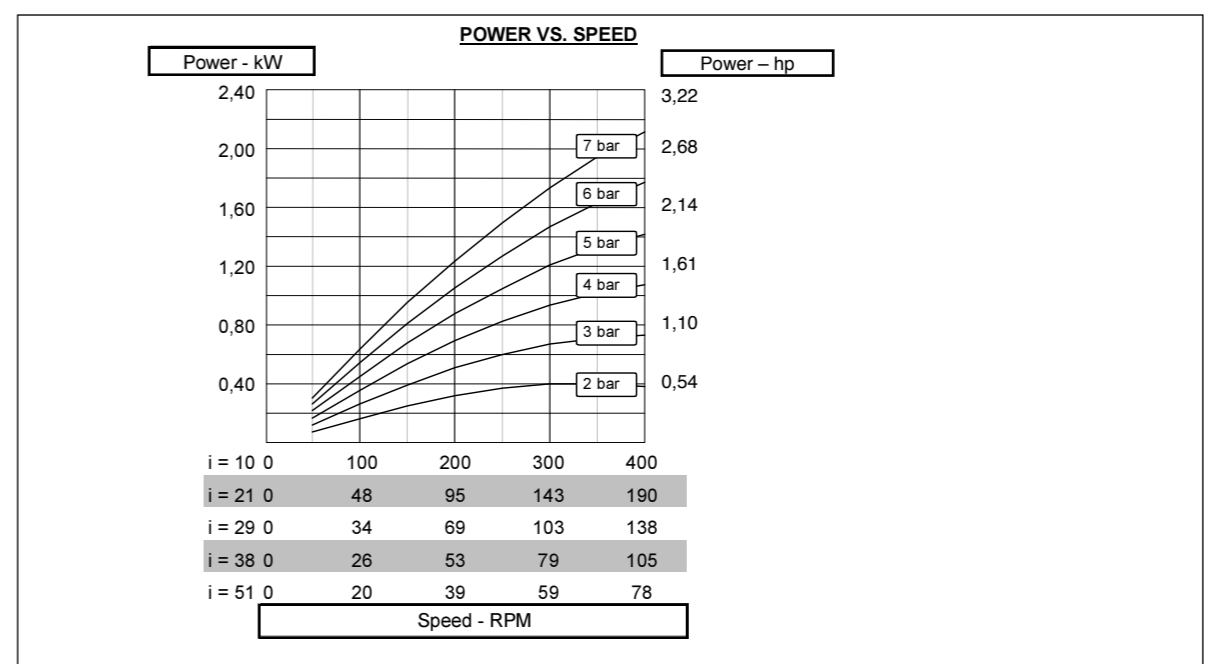
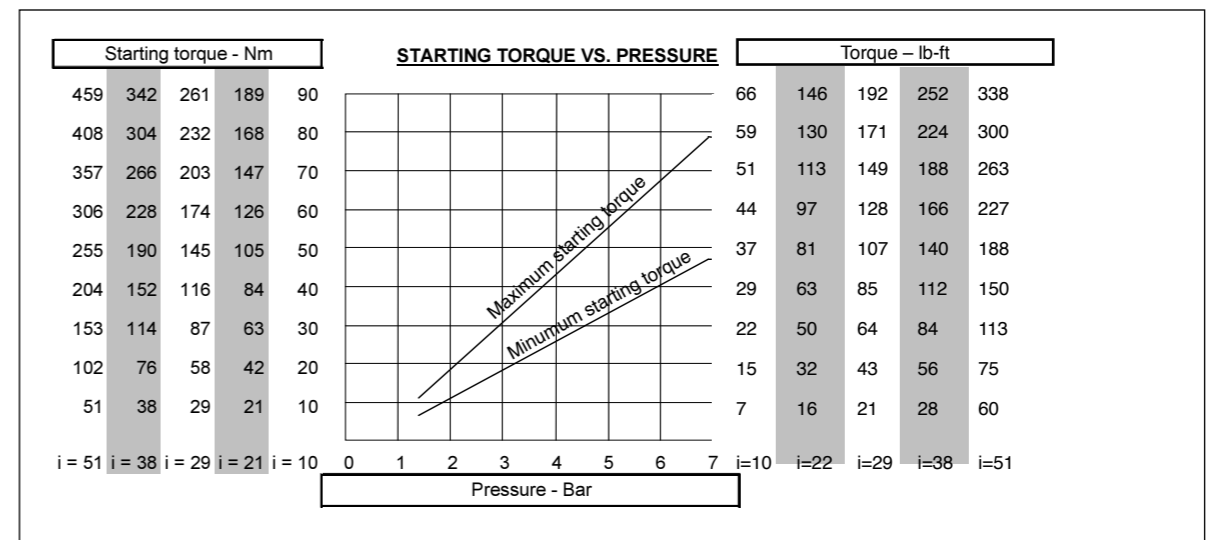
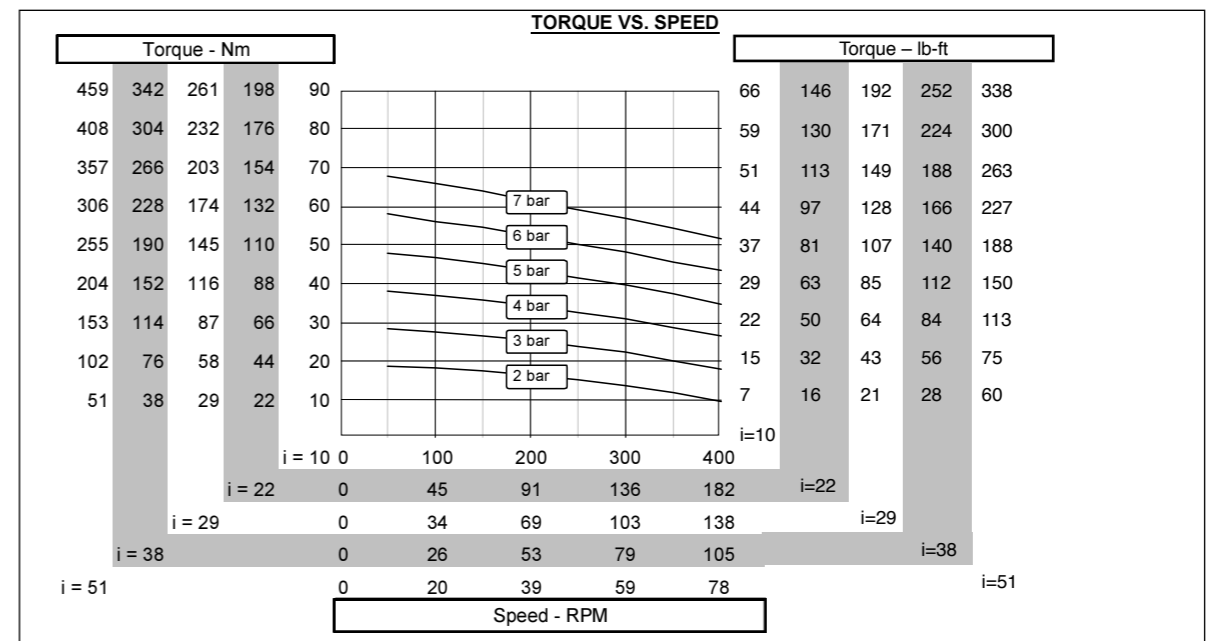
Motor + gear size	J	K	L	M	N	O	P	Q
VS4DA402BG10	53 (2.08")	7 (0.27")	Ø25h6 (0.98")	18 (0.71")	125 (4.92")	12 (0.47")	50 (1.97")	37 (1.45")
VS4DA402BG22	53 (2.08")	7 (0.27")	Ø25h6 (0.98")	18 (0.71")	125 (4.92")	12 (0.47")	50 (1.97")	37 (1.45")
VS4DA402BG29	53 (2.08")	7 (0.27")	Ø25h6 (0.98")	18 (0.71")	125 (4.92")	12 (0.47")	50 (1.97")	37 (1.45")
VS4DA402BG38	53 (2.08")	7 (0.27")	Ø25h6 (0.98")	18 (0.71")	125 (4.92")	12 (0.47")	50 (1.97")	37 (1.45")
VS4DA403BG51	50 (1.97")	3 (0.12")	Ø25h6 (0.98")	18 (0.71")	125 (4.92")	15 (0.59")	50 (1.97")	50 (1.97")
VS6DA402BG10	50 (1.97")	7 (0.27")	Ø25h6 (0.98")	18 (0.71")	125 (4.92")	8 (0.31")	50 (1.97")	37 (1.45")
VS6DA402BG22	50 (1.97")	7 (0.27")	Ø25h6 (0.98")	18 (0.71")	125 (4.92")	8 (0.31")	50 (1.97")	37 (1.45")
VS6DA602BG29	60 (2.36")	22 (0.86")	Ø30h6 (1.18")	20 (0.78")	186 (7.32")	52 (2.04")	150 (5.90")	...
VS6DA602BG40	60 (2.36")	22 (0.86")	Ø30h6 (1.18")	20 (0.78")	186 (7.32")	52 (2.04")	150 (5.90")	...
VS6DA603BG55	60 (2.36")	16 (0.63")	Ø30h6 (1.18")	20 (0.78")	186 (7.32")	46 (1.81")	150 (5.90")	...
VS8DA602BG10	60 (2.36")	22 (0.86")	Ø30h6 (1.18")	20 (0.78")	186 (7.32")	52 (2.04")	150 (5.90")	...
VS8DA602BG20	60 (2.36")	22 (0.86")	Ø30h6 (1.18")	20 (0.78")	186 (7.32")	52 (2.04")	150 (5.90")	...
VS8DA602BG30	60 (2.36")	22 (0.86")	Ø30h6 (1.18")	20 (0.78")	186 (7.32")	52 (2.04")	150 (5.90")	...

DIMENSIONS GLOBE VANE AIR MOTORS WITH PLANETARY GEARS - FOOT MODEL

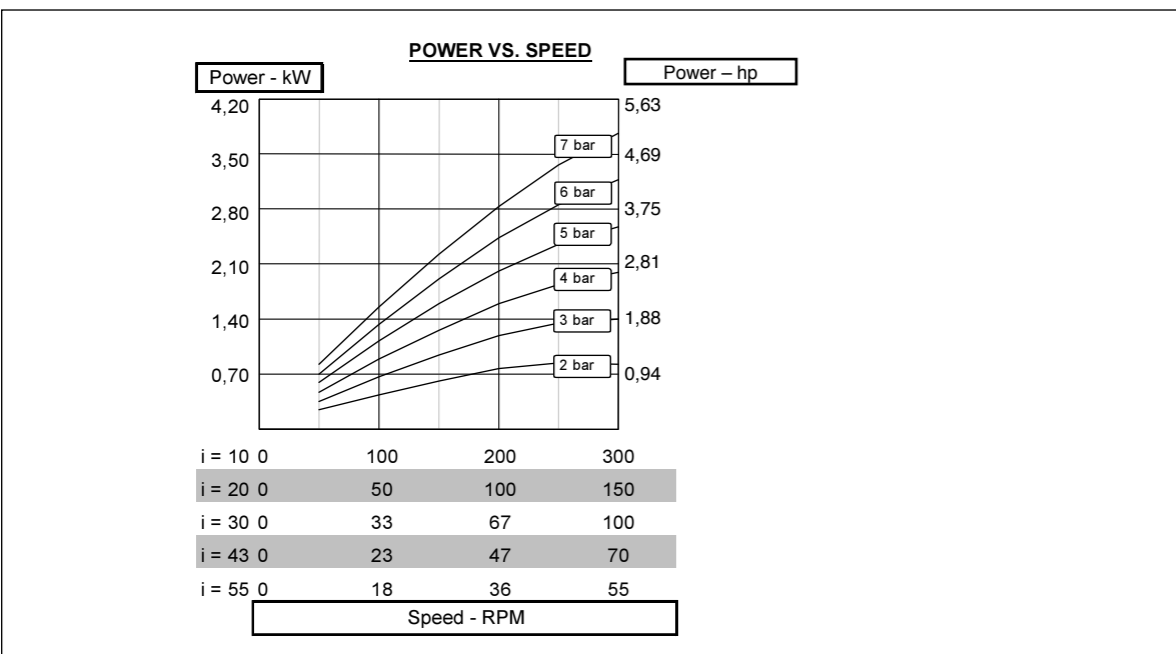
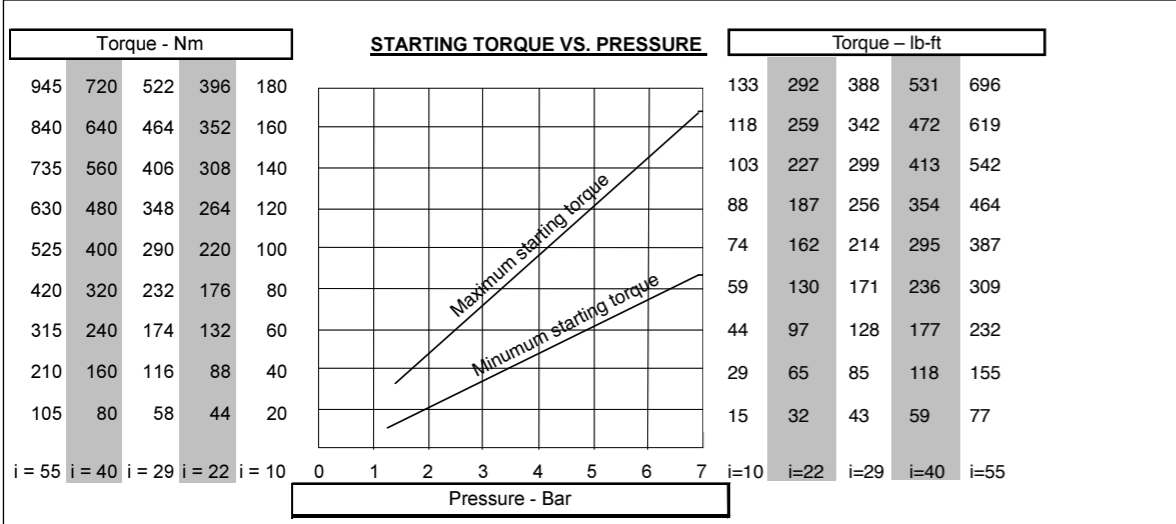
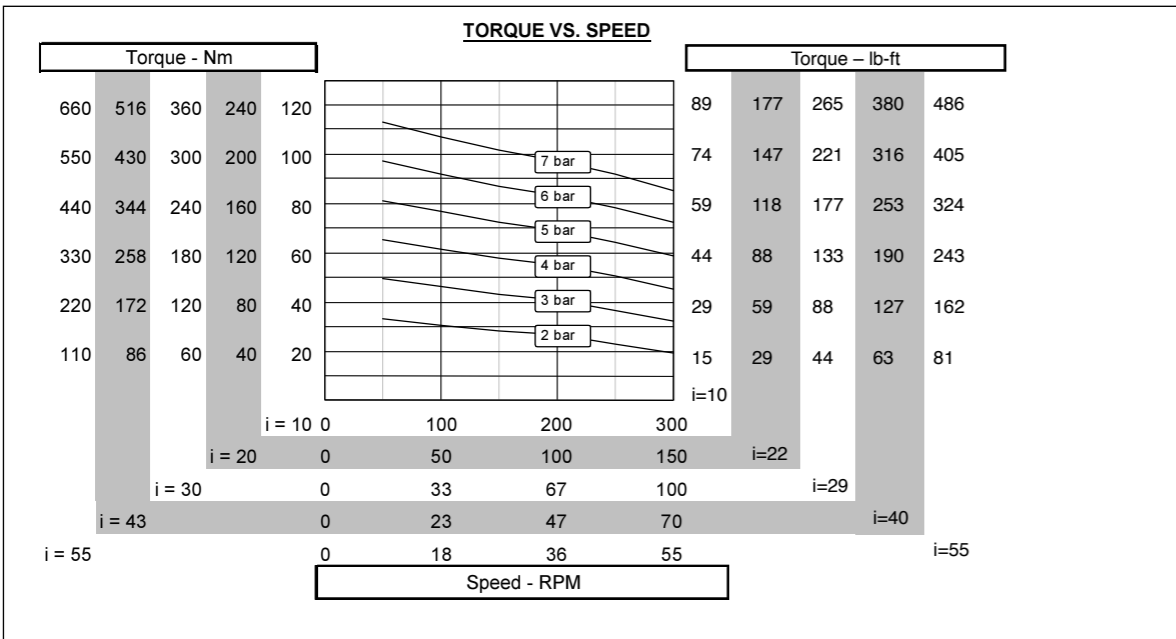


Motor + gear size	A	B	C	D	E	F	G	H	I	J	K
VS8EPFG300BG42	205 (8.07")	165 (6.49")	100 (3.93")	10 (0.39")	20	160	120	∅38h6	60	429	G1"
VS8EPFG300BG52	205 (8.07")	165 (6.49")	100 (3.93")	10 (0.39")	20	160	120	∅38h6	60	429	G1"
VS10EPFG301BG20	260 (10.23")	216 (8.50")	132 (5.19")	14 (0.55")	21	180	138	∅50h6	82	501	G1¼"
VS10EPFG301BG31	260 (10.23")	216 (8.50")	132 (5.19")	14 (0.55")	21	180	138	∅50h6	82	501	G1¼"
VS10EPFG301BG42	260 (10.23")	216 (8.50")	132 (5.19")	14 (0.55")	21	180	138	∅50h6	82	501	G1¼"
VS10EPFG301BG52	260 (10.23")	216 (8.50")	132 (5.19")	14 (0.55")	21	180	138	∅50h6	82	501	G1¼"

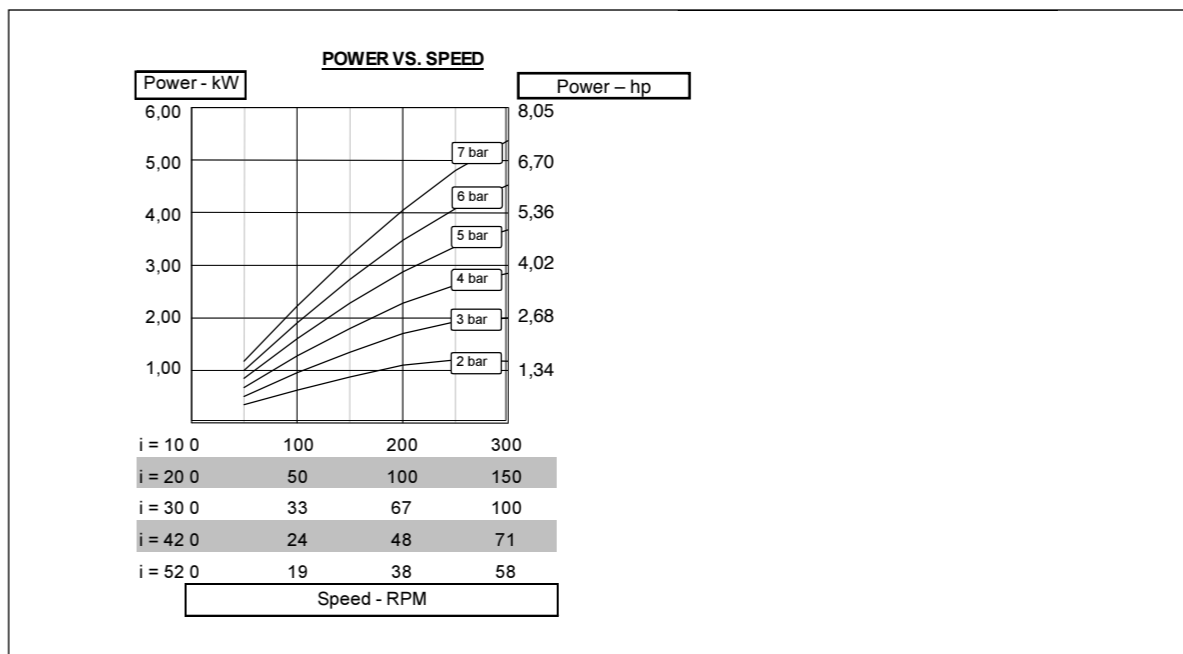
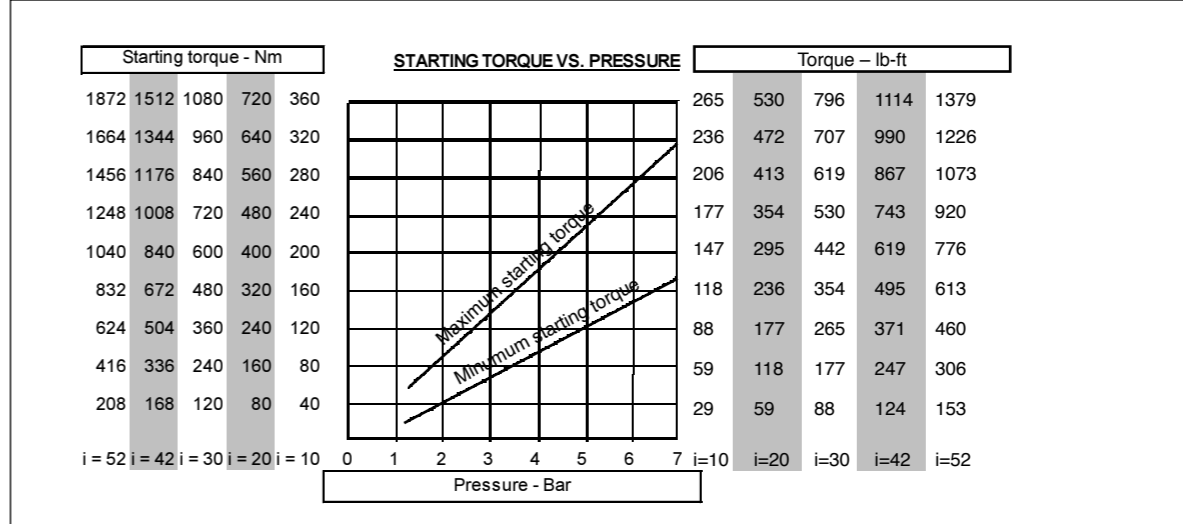
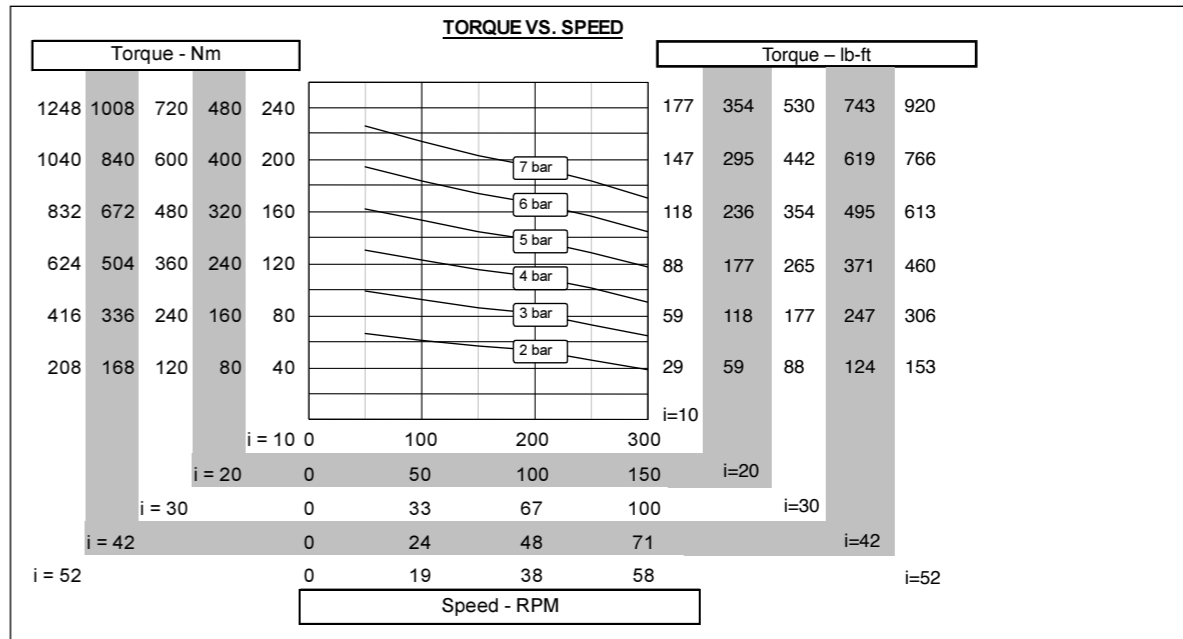
PERFORMANCES GLOBE VS4C AIR MOTOR WITH COAXIAL GEAR



PERFORMANCES GLOBE VS6C AIR MOTOR WITH COAXIAL GEAR

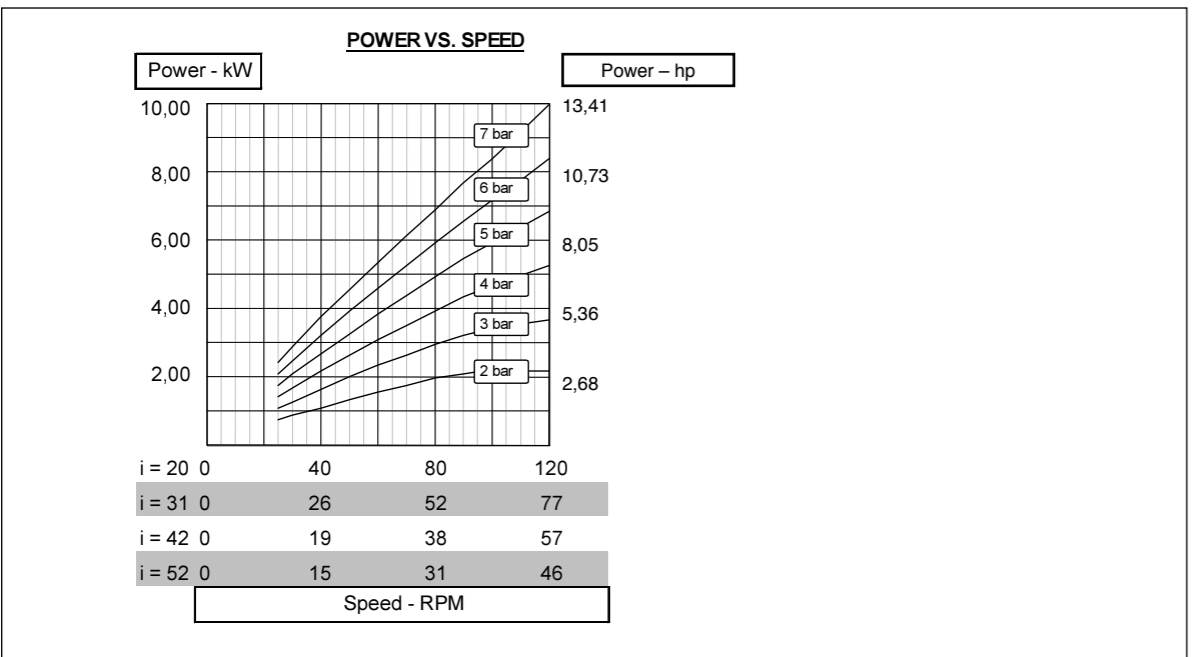
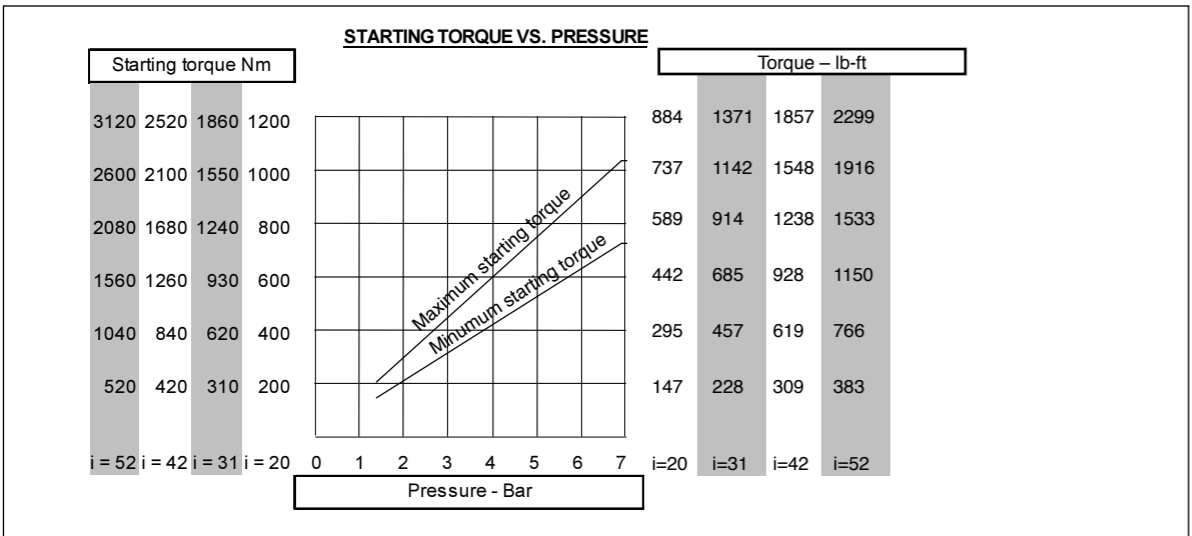
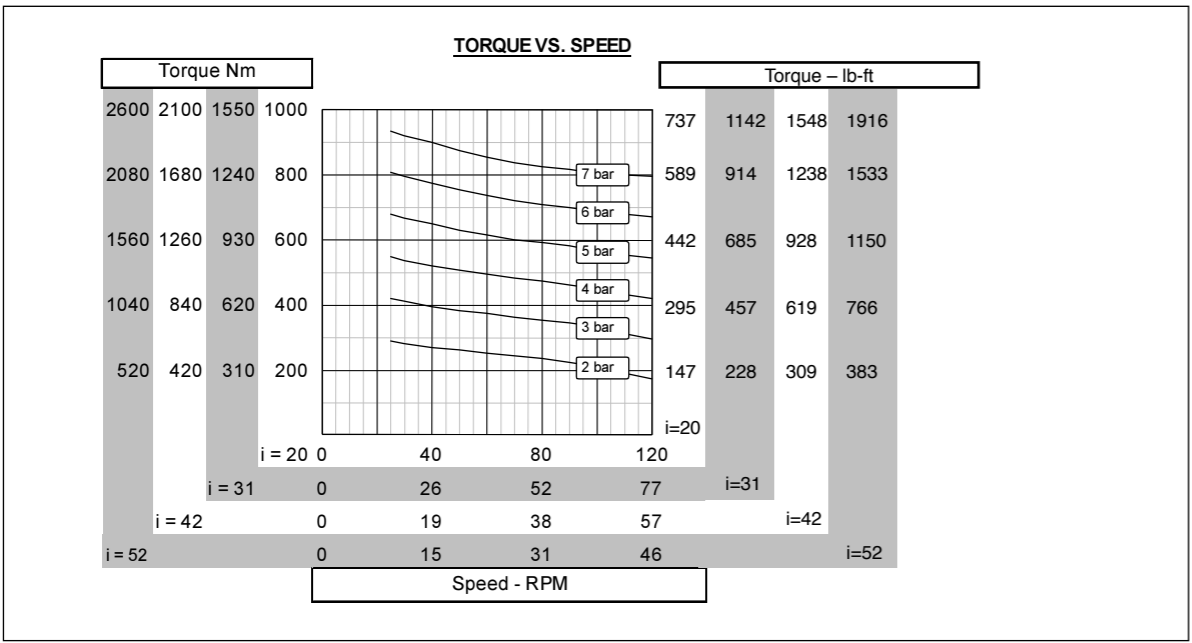


PERFORMANCES GLOBE VS8C AIR MOTOR WITH COAXIAL AND PLANETARY GEAR



PERFORMANCES GLOBE VS10C AIR MOTOR WITH COAXIAL AND PLANETARY GEAR

RECOMMENDED GEARBOX LUBRICANTS



ISO VG	Ambient temperature (°C)	Synthetic oil			Mineral oil			
		460	220 320	150	680	460	320	220
Manufacturer	-15° to 100°	-	-	-	5° to 50°	5° to 45°	0° to 40°	0° to 35°
	AGIP	-	Telium VSF 320	Telium VSF 150	Blasia 680	Blasia 460	Blasia 320	Blasia 220
	BP	Energol SGXP 460	Energol SGXP 220	Energol SGXP 150	Energol GRXP 680	Energol GRXP 460	Energol GRXP 320	Energol GRXP 220
	ESSO	-	-	-	Spartan EP 680	Spartan EP 460	Spartan EP 320	Spartan EP 220
	SHELL	Tivela Oil SD	Tivela Oil WB	-	Omala Oil 680	Omala Oil 460	Omala Oil 320	Omala Oil 220
	KLÜBER	Syntheso D460 EP	Syntheso D220 EP	Syntheso D150 EP	Lamora 680	Lamora 460	Lamora 320	Lamora 220
	MOBIL	Glygoyle HE 460	Glygoyle 30	Glygoyle 22	Mobilgear 636	Mobilgear 636	Mobilgear 632	Mobilgear 630

GLOBE PFG-RED PLANETARY GEARED VANE MOTORS

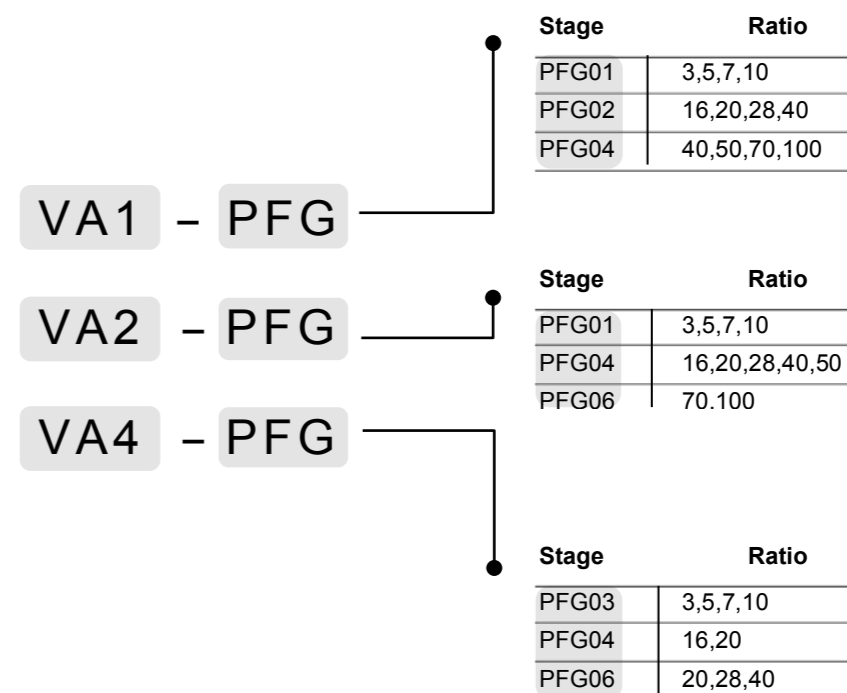
The GLOBE PFG-red motors are of the vane type and are available with a wide range of planetary reducers ranging from $i = 3:1$ to $i = 1000:1$ (reductions above $i = 100:1$ on request)

GLOBE PFG-red motors are designed for light and medium industrial applications and are used in all kinds of driving, mixing and transporting applications.

- Available from 0,44 kW to 2,1 kW. Higher powers available on request.
- Easily variable speed control
- Variable torque control
- Perfect in many applications in hazardous environments
- Explosion proof according ATEX directive EU 94/9/EC (ATEX II cat. 2 G&D T5)
- No damage by overload or repeated starting
- Cool running
- Can be used in stall conditions
- Superior power to weight ratio
- Instantly reversible
- No shock start-up
- Maintenance-free
- Suitable for oil-free operation
- Radial and axial loads permitted
- Oil free possible

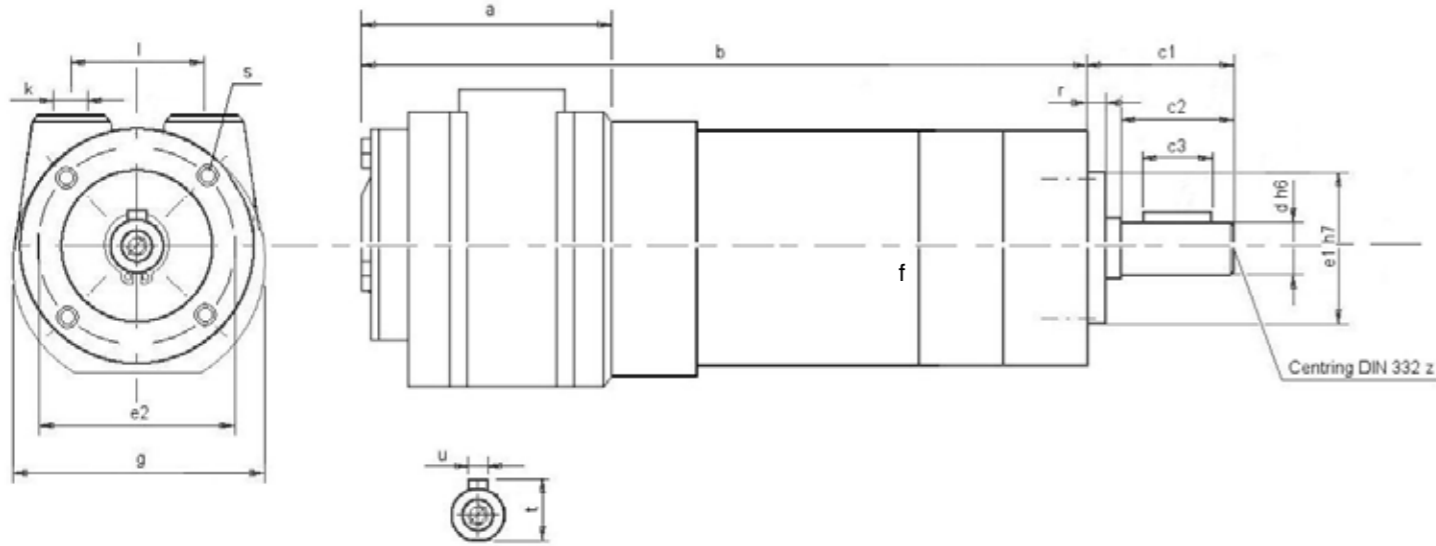


ORDERING CODES



Use the ordering codes to create the GLOBE PFG Air Motor Unit you want.

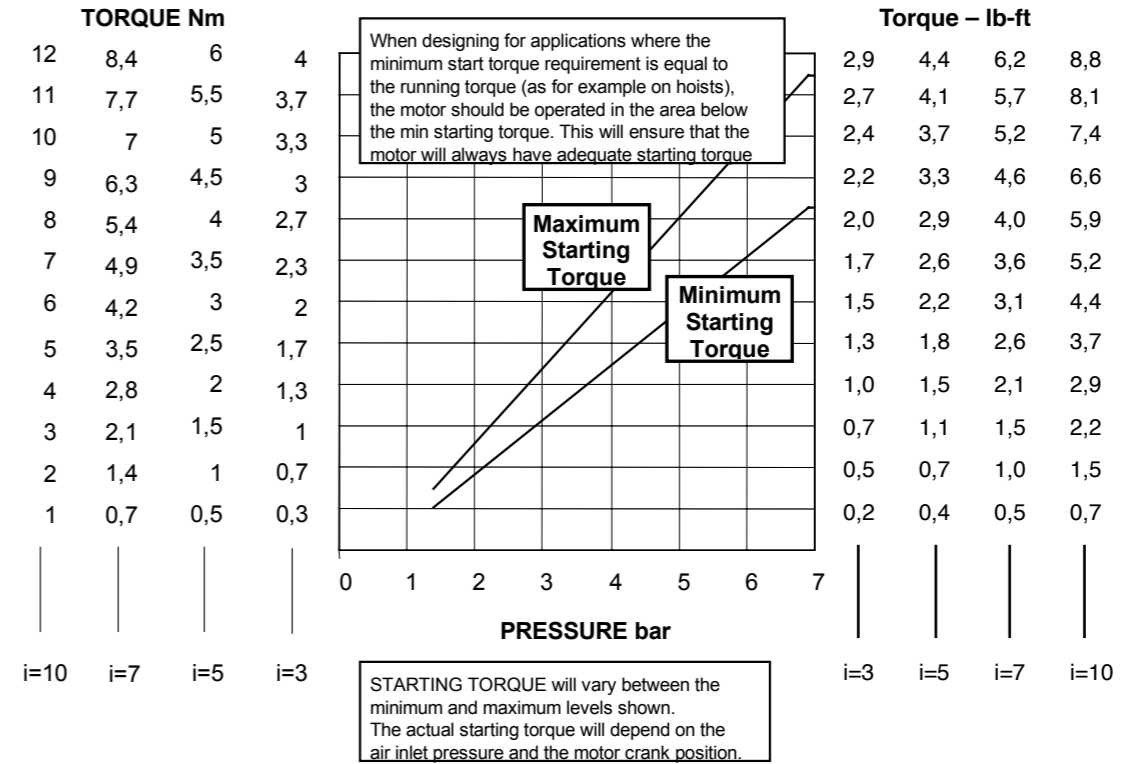
For example: VA1PFG02 $i=16$ or VA4PFG07 $i=70$



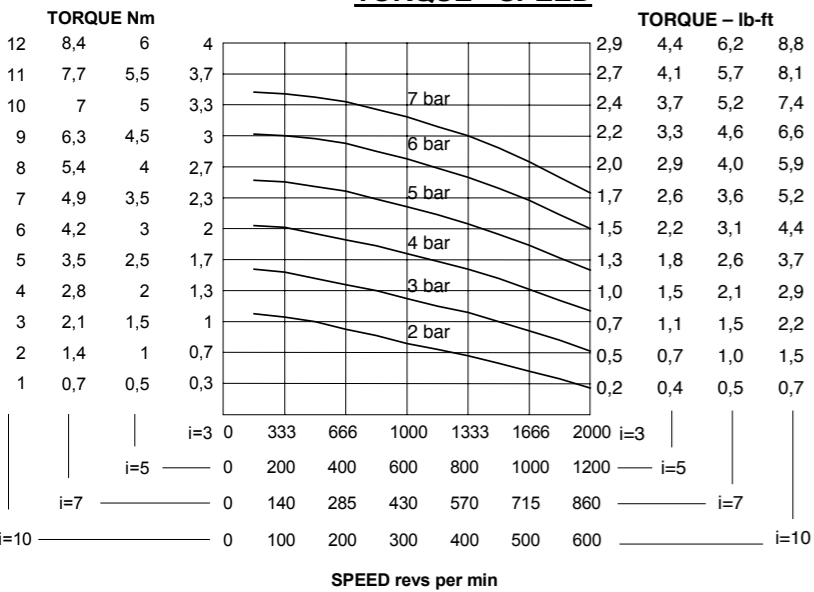
Motor	i	a	b	c1	c2	c3	d	e1	e2	f	g	k
VA1PFG01	3 5 7 10	69 (2.71")	175 (6.89")	39 (1.53")	30 (1.18")	25 (0.98")	14k6 (0.55")	40h7 (1.57")	52 (2.05")	65 (2.56")	71 (2.79")	1/4"NPT
VA1PFG02	16 20 28 40	69 (2.71")	198 (7.79")	39 (1.53")	30 (1.18")	25 (0.98")	14k6 (0.55")	40h7 (1.57")	52 (2.05")	65 (2.56")	71 (2.79")	1/4"NPT
VA1PFG04	40 50 70 100	69 (2.71")	226 (8.89")	49 (1.93")	40 (1.57")	32 (1.26")	20k6 (0.79")	55h7 (2.16")	70 (2.76")	85 (3.35")	71 (2.79")	1/4"NPT

Motor	l	r	s	t	u
VA1PFG01	36 (1.42")	8 (0.31")	M5x10 (0.39")	16 (0.63")	5 (0.19")
VA1PFG02	36 (1.42")	8 (0.31")	M5x10 (0.39")	16 (0.63")	5 (0.19")
VA1PFG04	36 (1.42")	8 (0.31")	M6x12 (0.47")	22,5 (0.88")	6 (0.23")

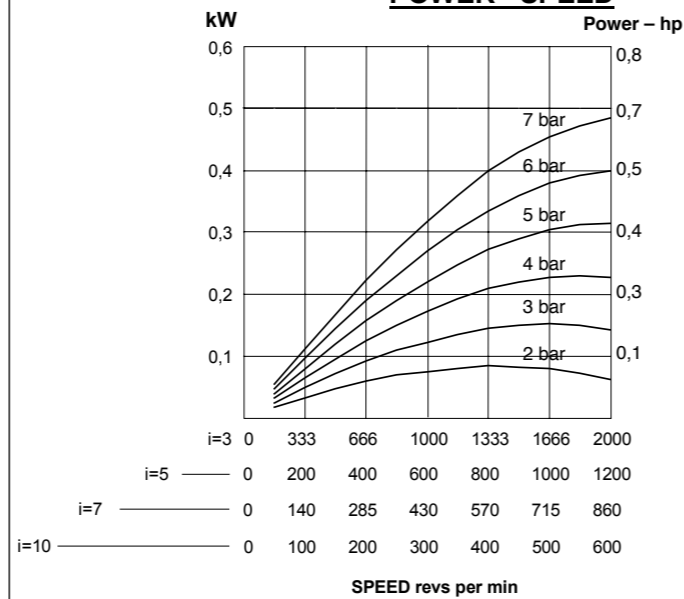
TORQUE - PRESSURE



TORQUE - SPEED



POWER - SPEED



Motor is reversible.

ATTITUDE

The motor can be operated in all positions.

Maximum temperature -20°C to +80°C

(-4°F to -176°F).

Maximum radial load: 930 N

Maximum axial load: 1080 N

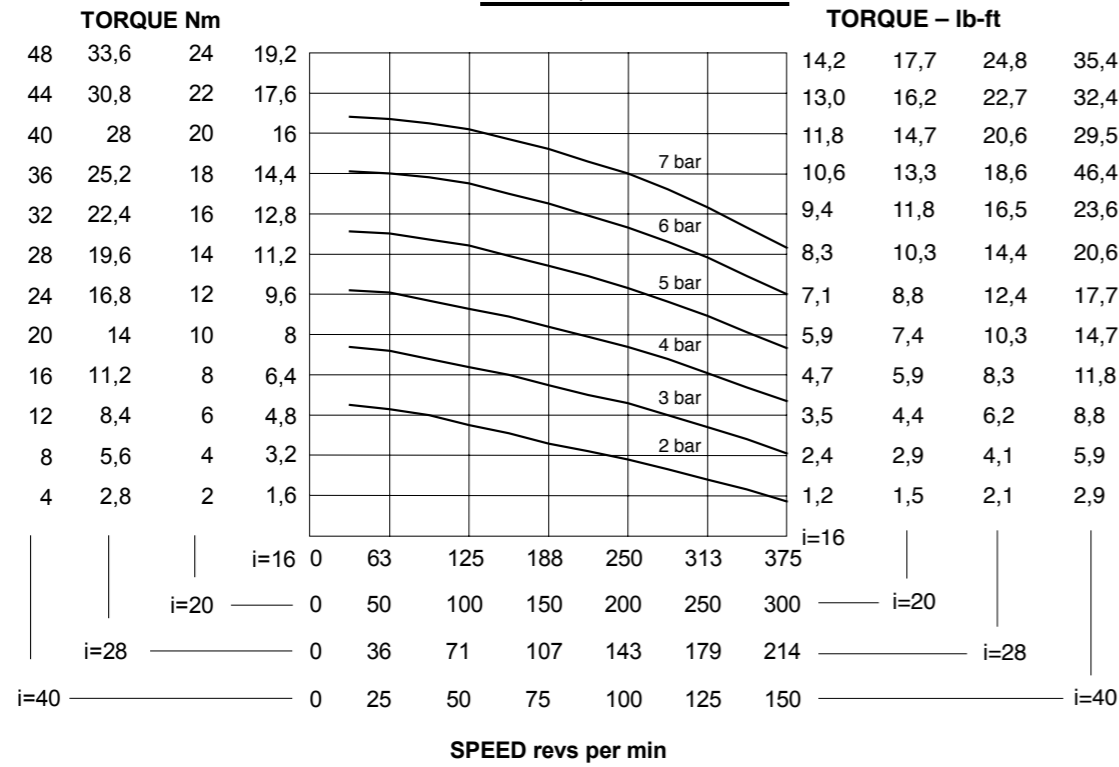
AIRLINE FILTRATION AND LUBRICATION

Use 64 micron filtration or better. Choose a lubricator suitable for the flow required. Prior to initial start-up, inject oil into the inlet port.

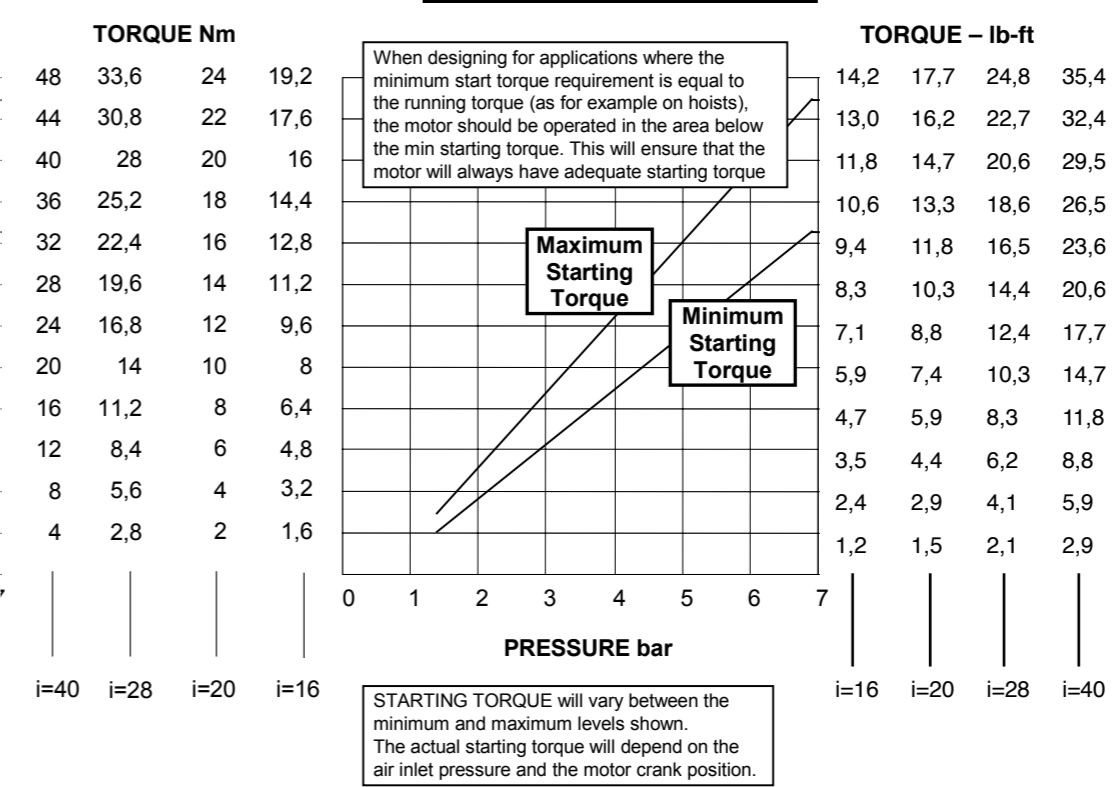
Lubricator drop rate 4-5 drops/minute continuous operation

Lubricator drop rate 9-12 drops/minute intermittent operation

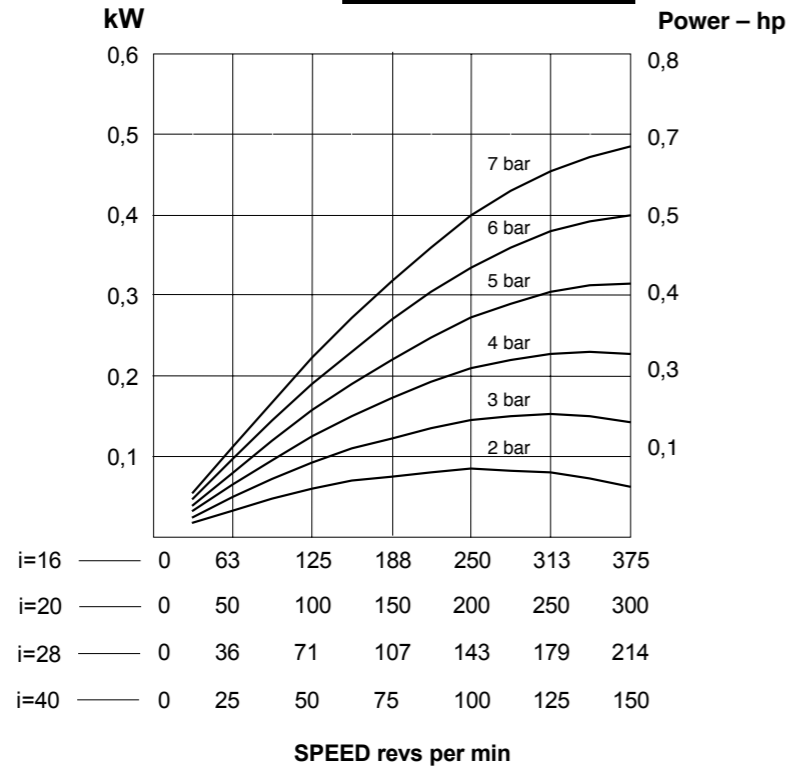
TORQUE - SPEED



TORQUE - PRESSURE



POWER - SPEED



Motor is reversible.

ATTITUDE

The motor can be operated in all positions.
 Maximum temperature -20°C to +80°C (-4°F to -176°F).

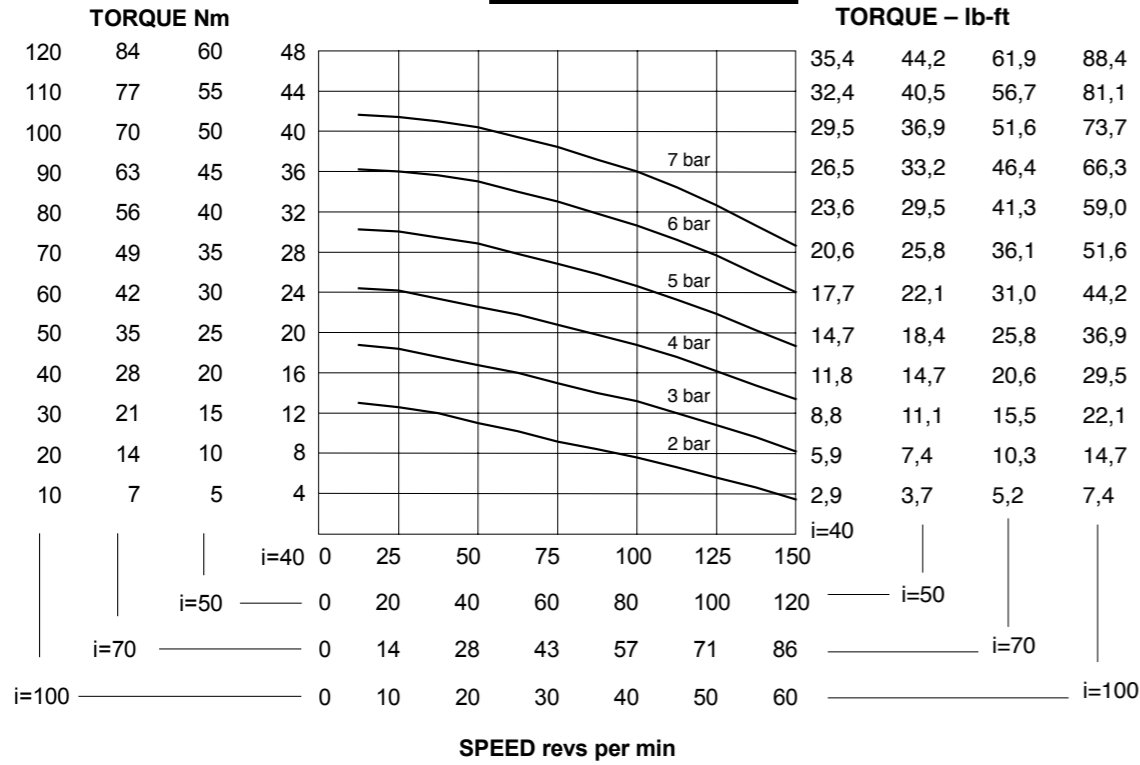
Maximum radial load: 930 N
 Maximum axial load: 1080 N

AIRLINE FILTRATION AND LUBRICATION

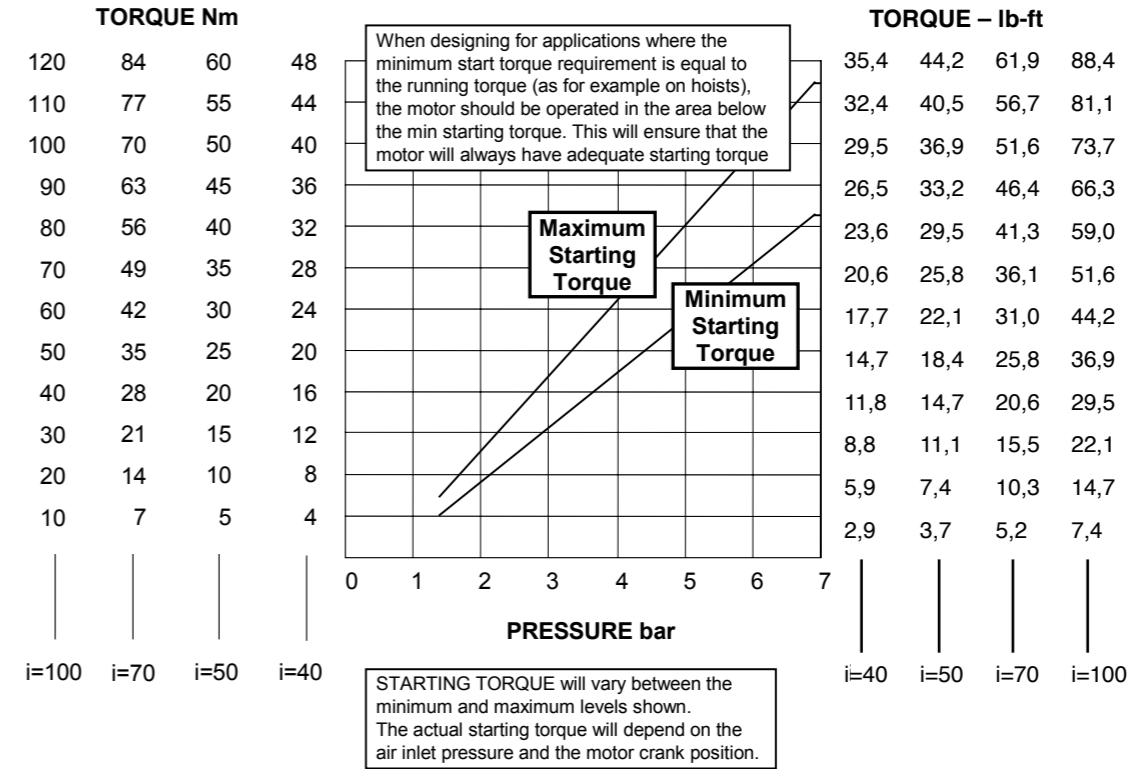
Use 64 micron filtration or better. Choose a lubricator suitable for the flow required. Prior to initial start-up, inject oil into the inlet port.

Lubricator drop rate 4-5 drops/minute continuous operation
 Lubricator drop rate 9-12 drops/minute intermittent operation

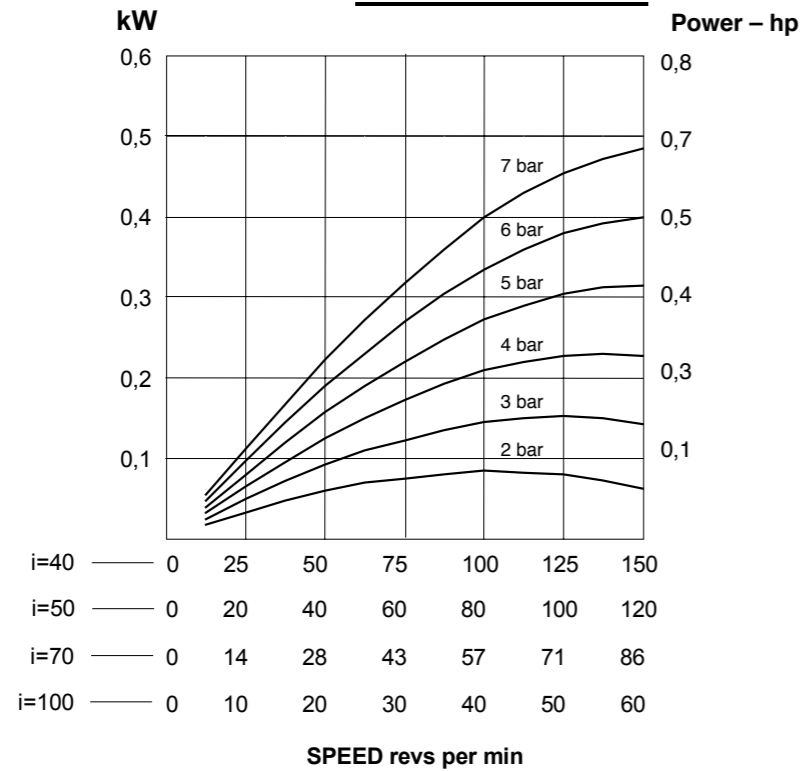
TORQUE - SPEED



TORQUE - PRESSURE



POWER - SPEED



Motor is reversible.

ATTITUDE

The motor can be operated in all positions.

Maximum temperature -20°C to +80°C

(-4°F to -176°F).

Maximum radial load: 1770 N

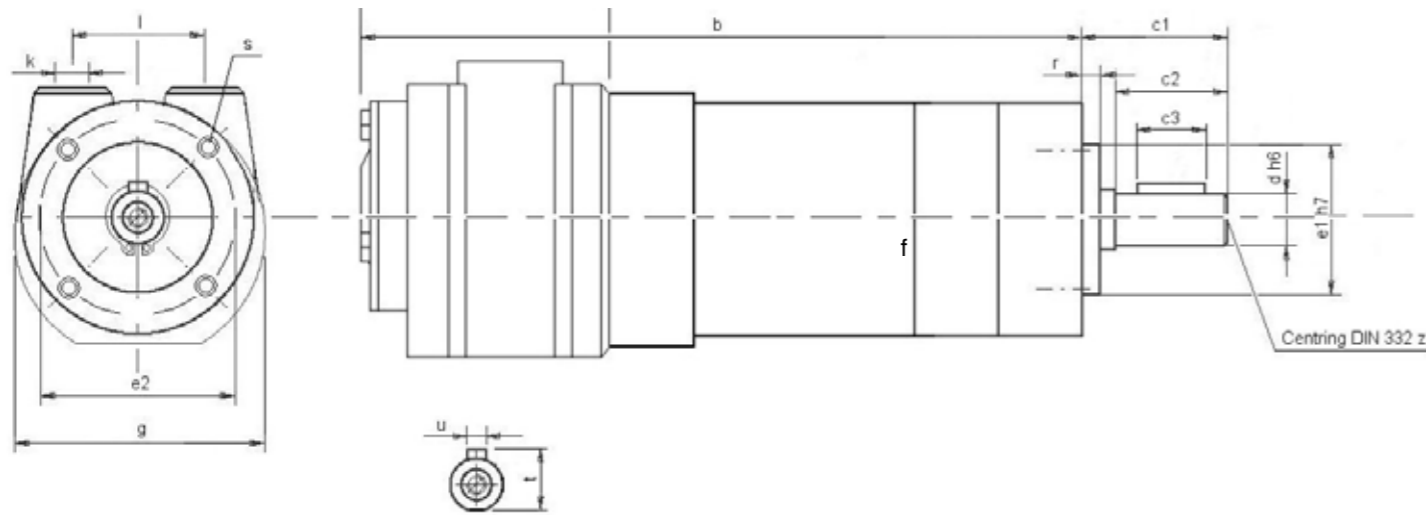
Maximum axial load: 2180 N

AIRLINE FILTRATION AND LUBRICATION

Use 64 micron filtration or better. Choose a lubricator suitable for the flow required. Prior to initial start-up, inject oil into the inlet port.

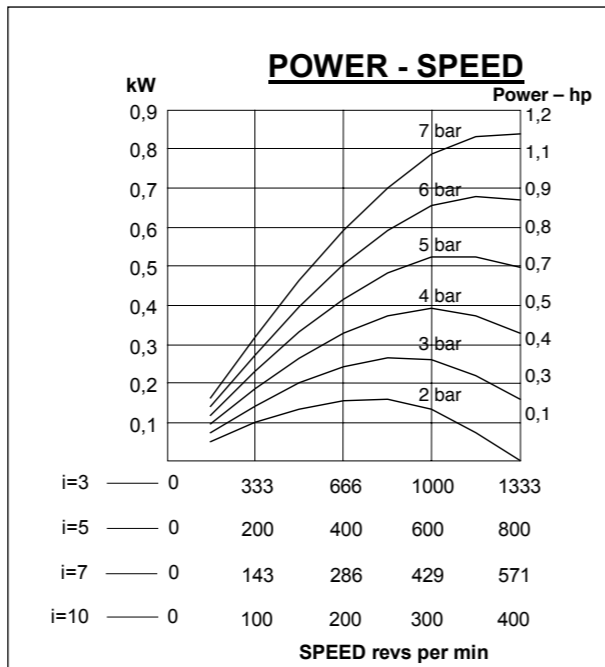
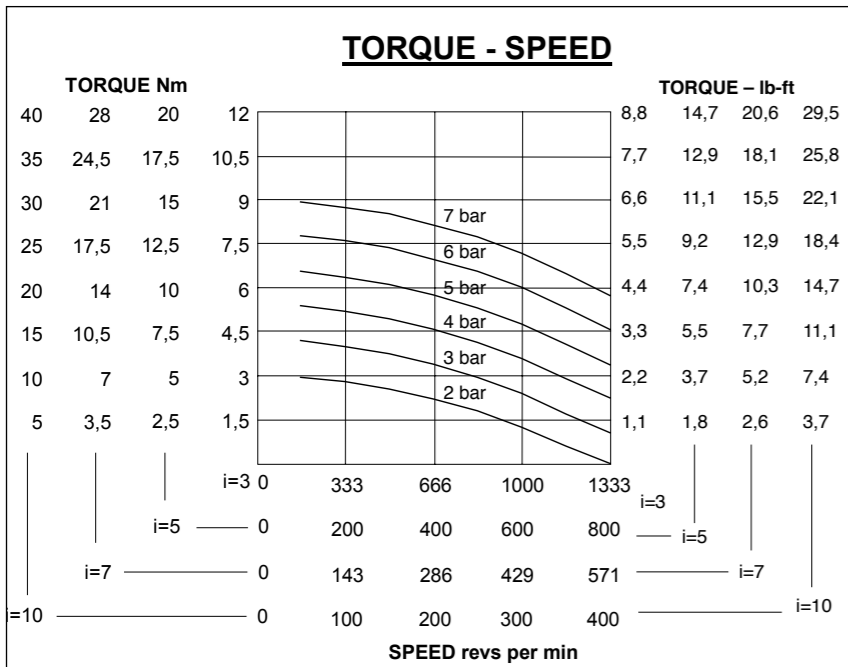
Lubricator drop rate 4-5 drops/minute continuous operation

Lubricator drop rate 9-12 drops/minute intermittent operation

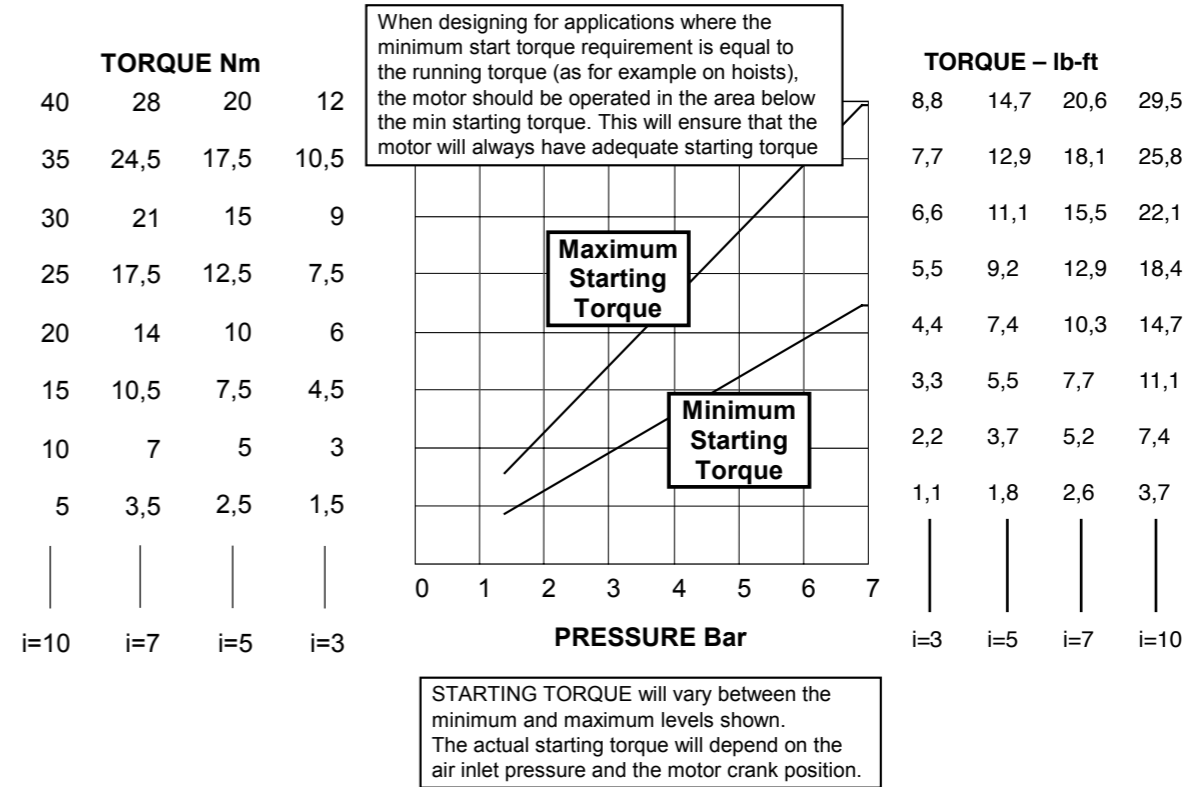


Motor	i	a	b	c1	c2	c3	d	e1	e2	f	g
VA2PFG01	3 5 7 10	72 (2.83")	174 (6.85")	39 (1.54")	30 (1.18")	25 (0.98")	14 k6 (0.55")	40 h7 (1.57")	52 (2.05")	65 (2.56")	102 (4.02")
VA2PFG04	16 20 28 40 50	72 (2.83")	227 (8.94")	49 (1.93")	40 (1.57")	32 (1.26")	20k6 (0.79")	55 h7 (2.17")	70 (2.76")	85 (3.35")	102 (4.02")
VA2PFG06	70 100	72 (2.83")	254 (10.00")	61 (2.40")	50 (1.97")	40 (1.57")	25 k6 (0.98")	80 h7 (3.15")	100 (3.94")	120 (4.72")	102 (4.02")
VA2PFG08 On request	120 160 200	72 (2.83")	308 (12.12")	95 (3.74")	80 (3.14")	70 (2.75")	40 k6 (1.57")	110 h7 (4.33")	130 (5.11")	155 (6.10")	102 (4.01")

Motor	k	l	r	s	t	u
VA2PFG01	3/8"NPT	55 (2.17")	8 (0.31")	M5x10 (0.39")	16 (0.63")	5 (0.20")
VA2PFG04	3/8"NPT	55 (2.17")	8 (0.31")	M6x12 (0.47")	22.5 (0.89")	6 (0.24")
VA2PFG06	3/8"NPT	55 (2.17")	10 (0.39")	M10x20 (0.79")	28,0 (1.10")	8 (0.31")
VA2PFG08 On request	3/8"NPT	55 (2.17")	14 (0.55")	M10x20 (0.79")	43,0 (1.69")	12 (0.47")



TORQUE - PRESSURE



Muffler supplied with motor.
Motor is reversible.

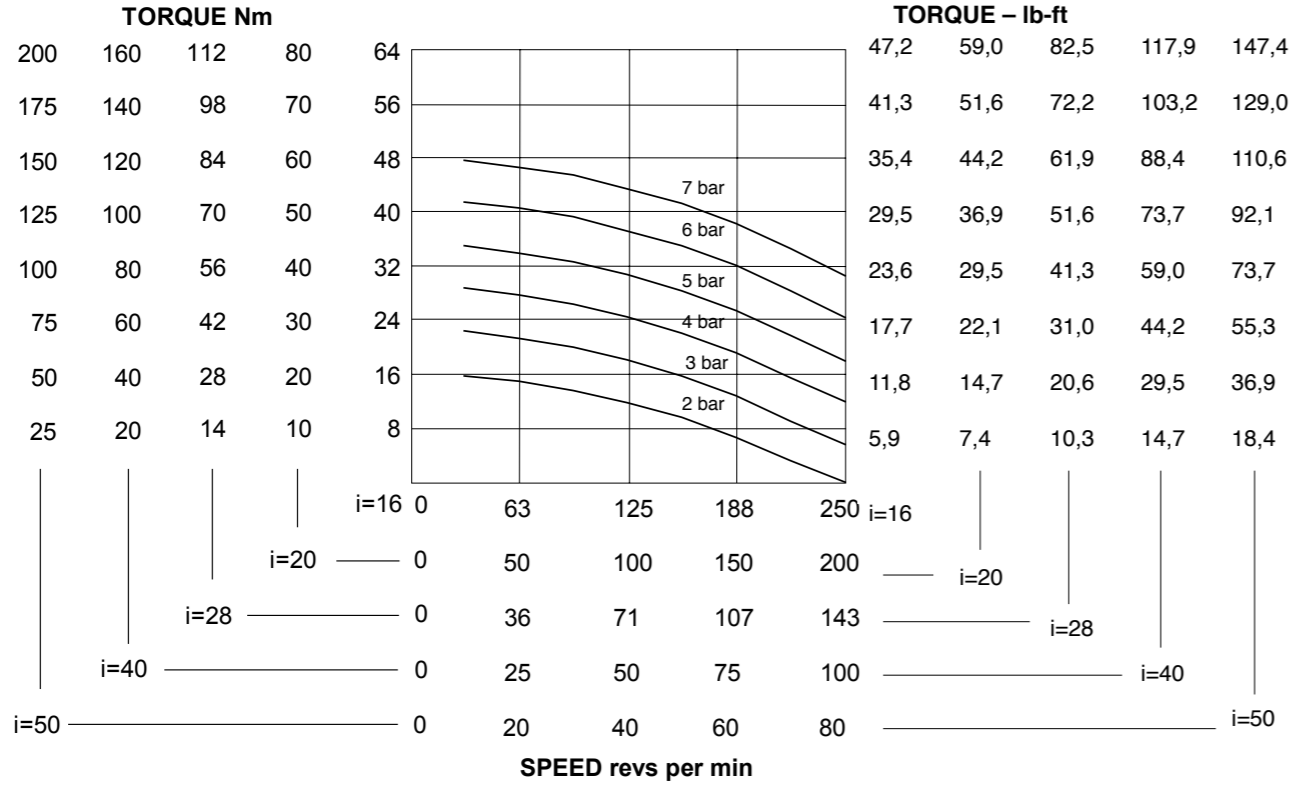
ATTITUDE

The motor can be operated in all positions.
Maximum temperature -20°C to +80°C (-4°F to +176°F).
Maximum radial load: 930 N
Maximum axial load: 1080 N

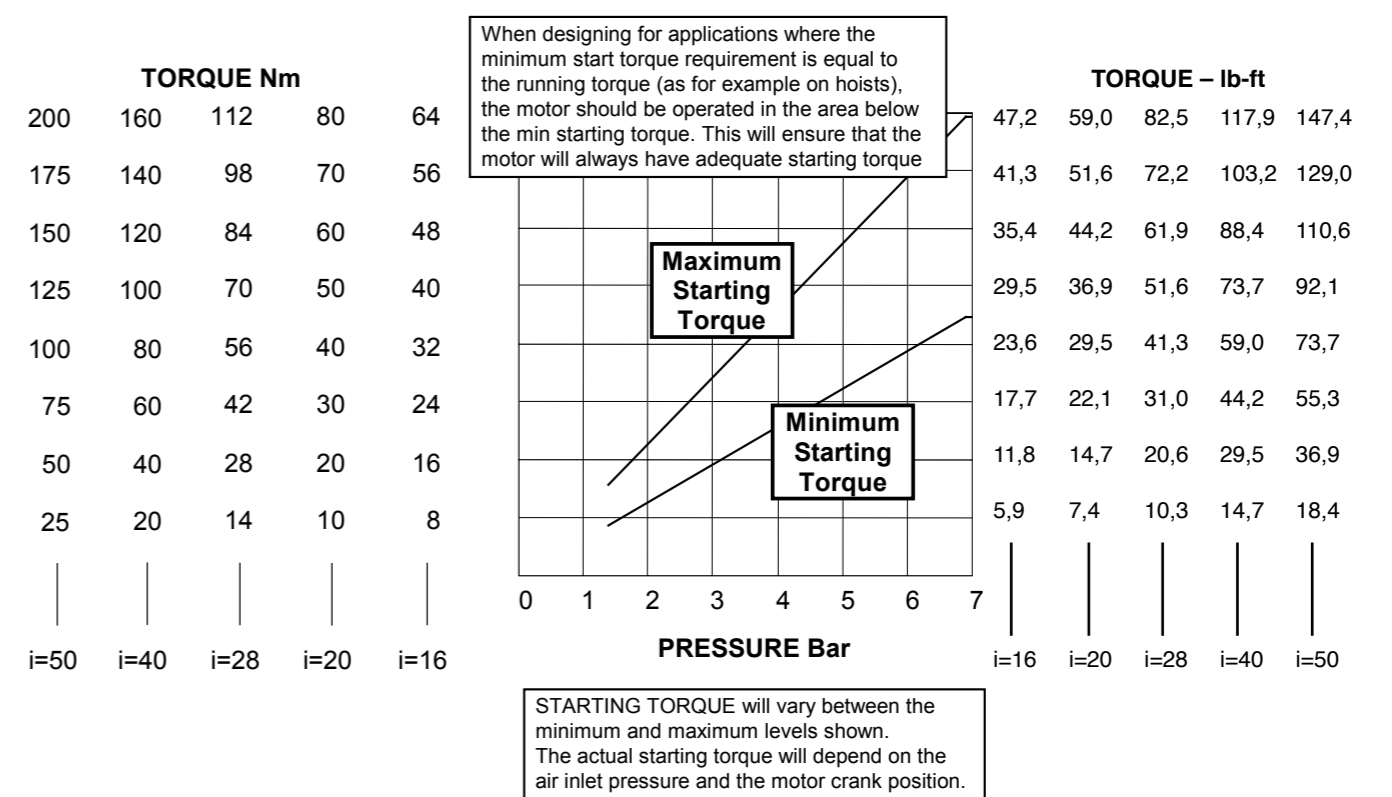
AIRLINE FILTRATION AND LUBRICATION

Use 64 micron filtration or better. Choose a lubricator suitable for the flow required. Prior to initial start-up, inject oil into the inlet port.
Lubricator drop rate 4-5 drops/minute continuous operation
Lubricator drop rate 9-12 drops/minute intermittent operation

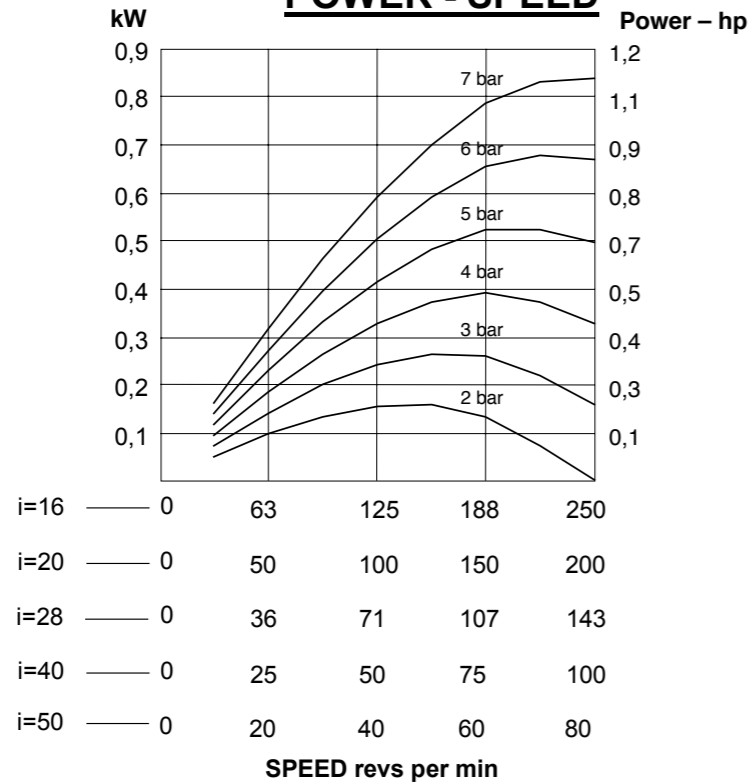
TORQUE - SPEED



TORQUE - PRESSURE



POWER - SPEED



Muffler supplied with motor.

Motor is reversible.

ATTITUDE

The motor can be operated in all positions.

Maximum temperature -20°C to +80°C (-4°F to +176°F).

Maximum radial load: 1770 N

Maximum axial load: 2180 N

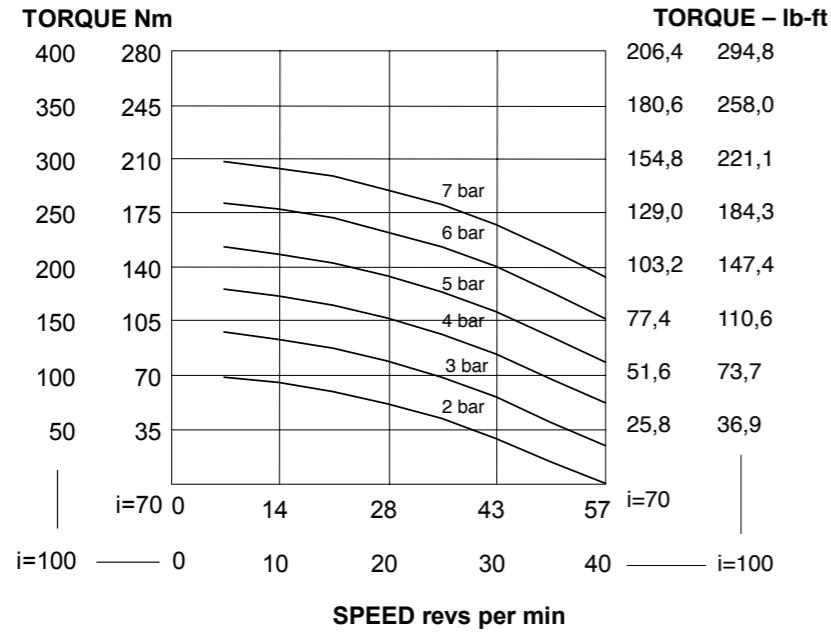
AIRLINE FILTRATION AND LUBRICATION

Use 64 micron filtration or better. Choose a lubricator suitable for the flow required. Prior to initial start-up, inject oil into the inlet port.

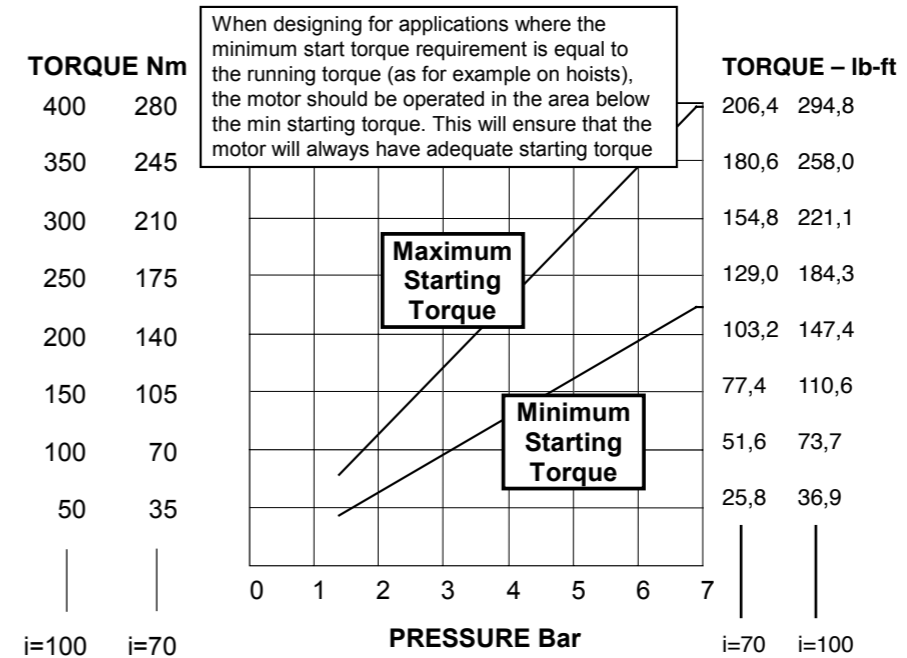
Lubricator drop rate 4-5 drops/minute continuous operation

Lubricator drop rate 9-12 drops/minute intermittent operation

TORQUE - SPEED

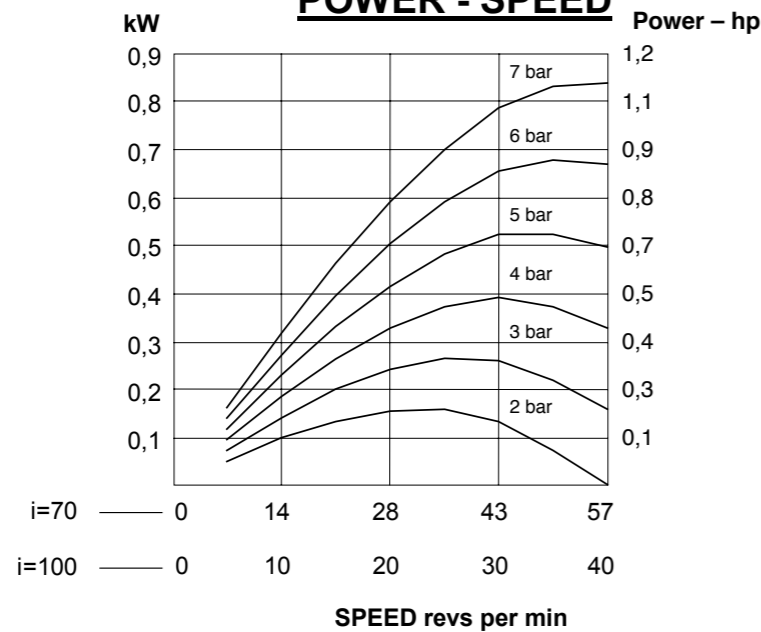


TORQUE - PRESSURE



STARTING TORQUE will vary between the minimum and maximum levels shown. The actual starting torque will depend on the air inlet pressure and the motor crank position.

POWER - SPEED



Muffler supplied with motor.

Motor is reversible.

ATTITUDE

The motor can be operated in all positions.

Maximum temperature -20°C to +80°C (-4°F to +176°F).

Maximum radial load: 3000 N

Maximum axial load: 3730 N

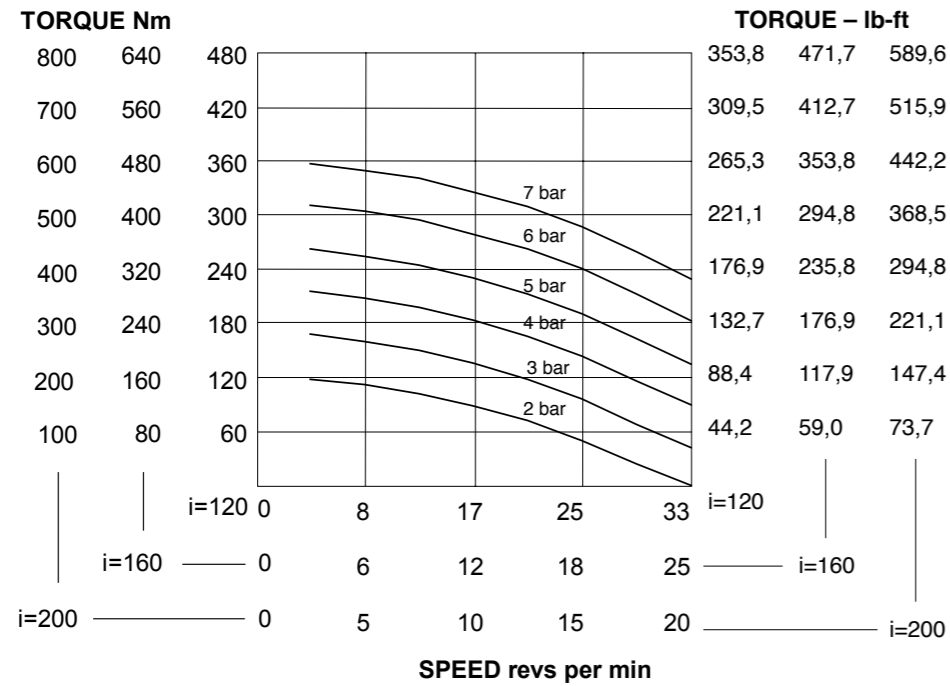
AIRLINE FILTRATION AND LUBRICATION

Use 64 micron filtration or better. Choose a lubricator suitable for the flow required. Prior to initial start-up, inject oil into the inlet port.

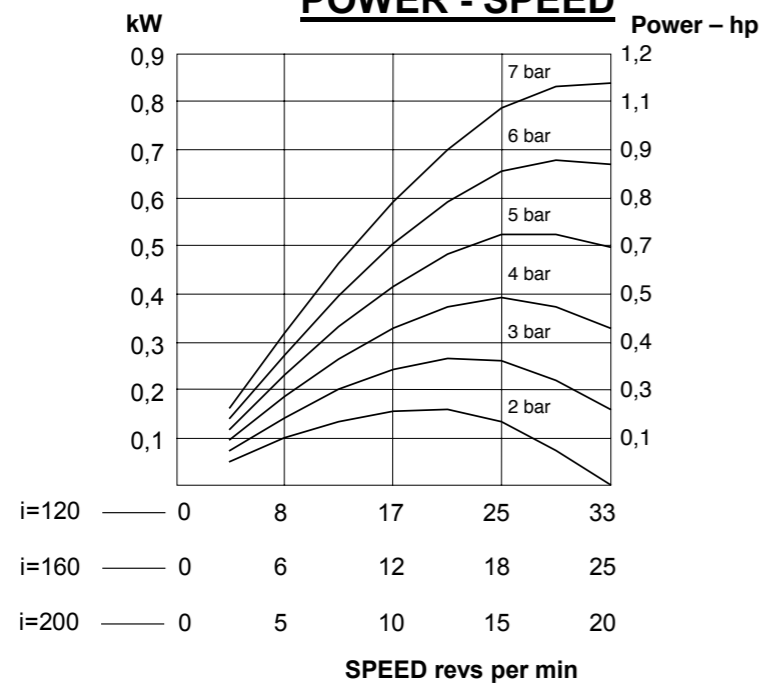
Lubricator drop rate 4-5 drops/minute continuous operation

Lubricator drop rate 9-12 drops/minute intermittent operation

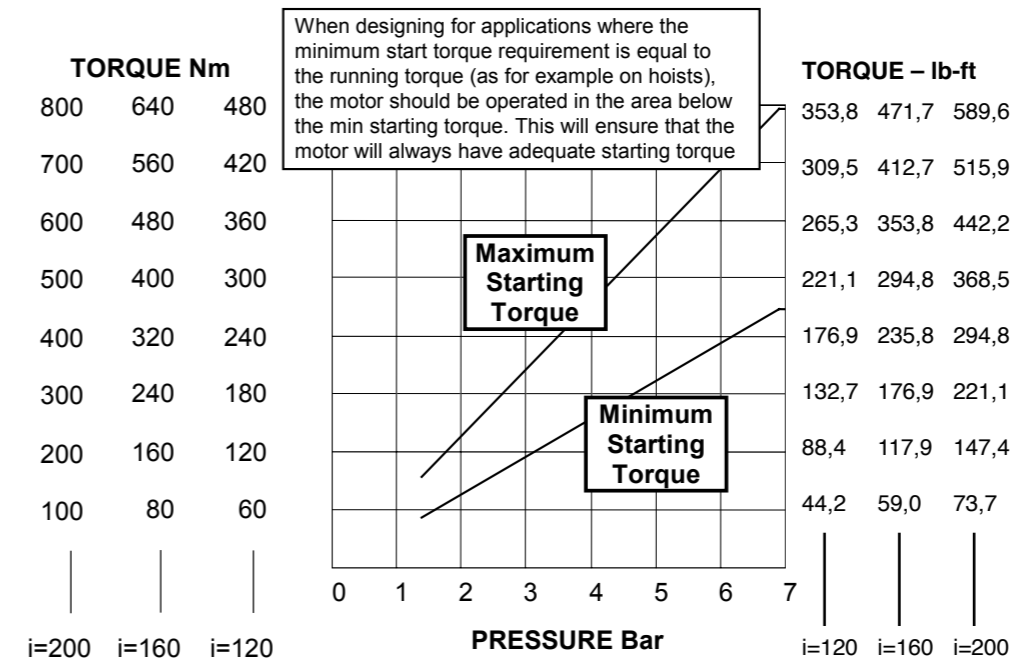
TORQUE - SPEED



POWER - SPEED



TORQUE - PRESSURE



Muffler supplied with motor.

Motor is reversible.

ATTITUDE

The motor can be operated in all positions.

Maximum temperature -20°C to +80°C
(-4°F to +176°F).

Maximum radial load: 8770 N

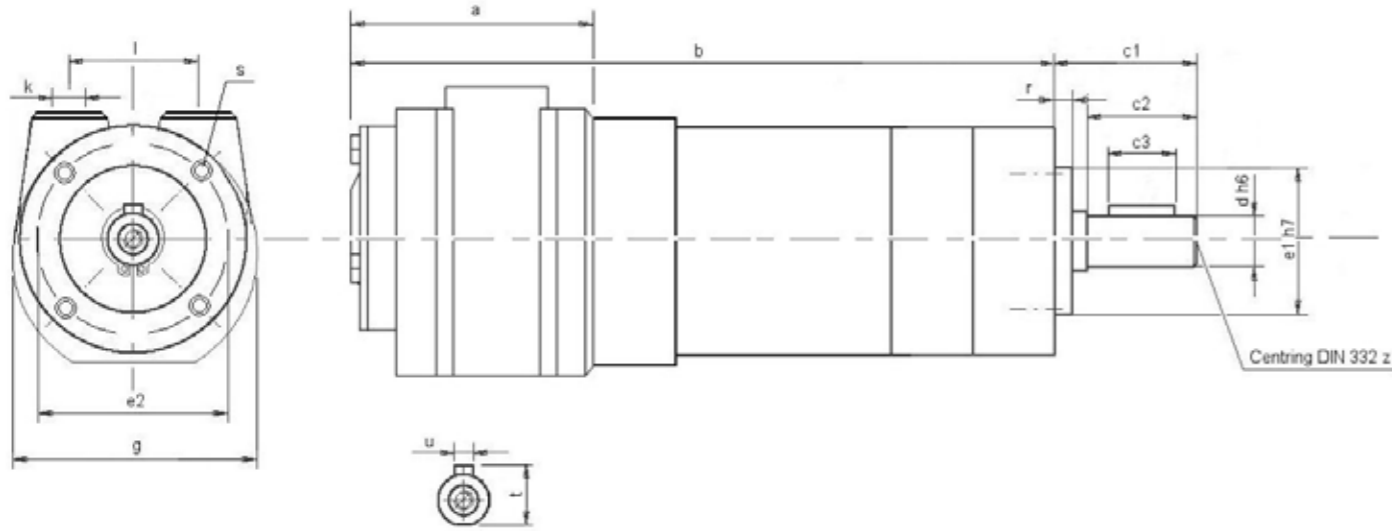
Maximum axial load: 7730 N

AIRLINE FILTRATION AND LUBRICATION

Use 64 micron filtration or better. Choose a lubricator suitable for the flow required. Prior to initial start-up, inject oil into the inlet port.

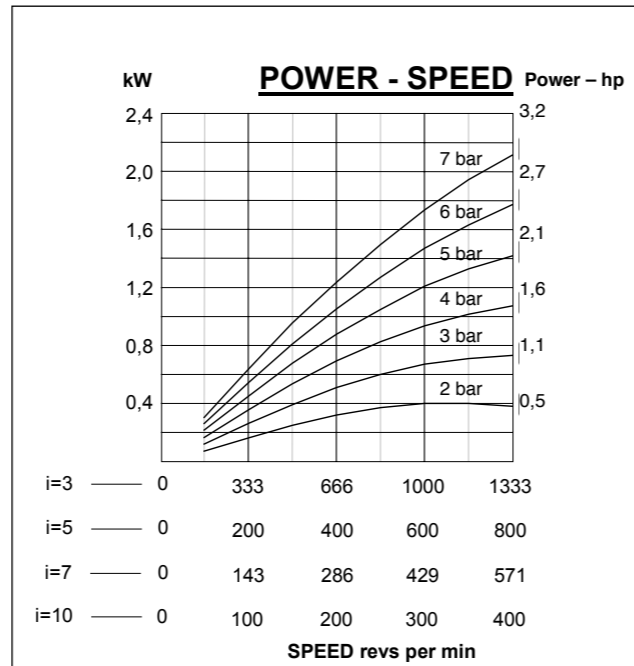
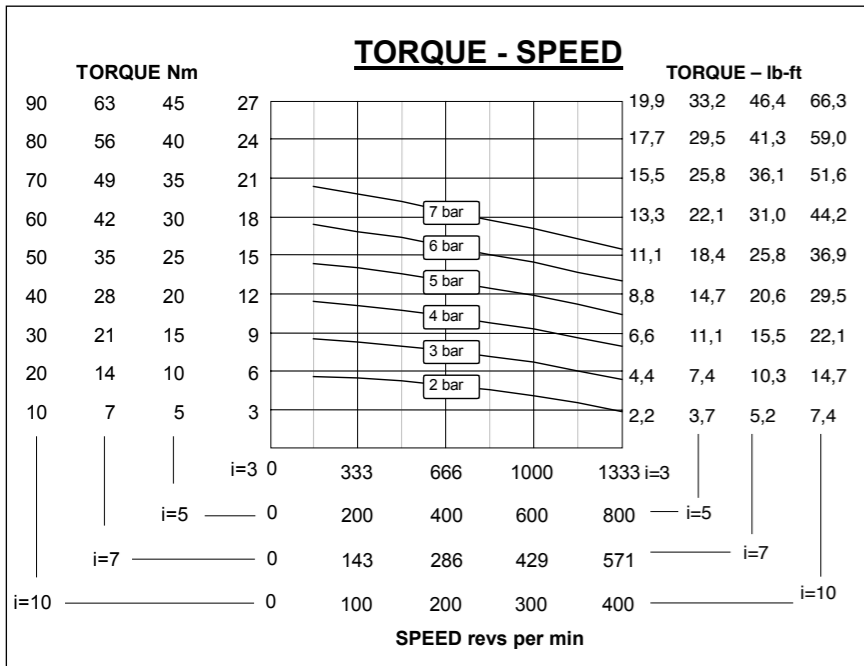
Lubricator drop rate 4-5 drops/minute continuous operation

Lubricator drop rate 9-12 drops/minute intermittent operation

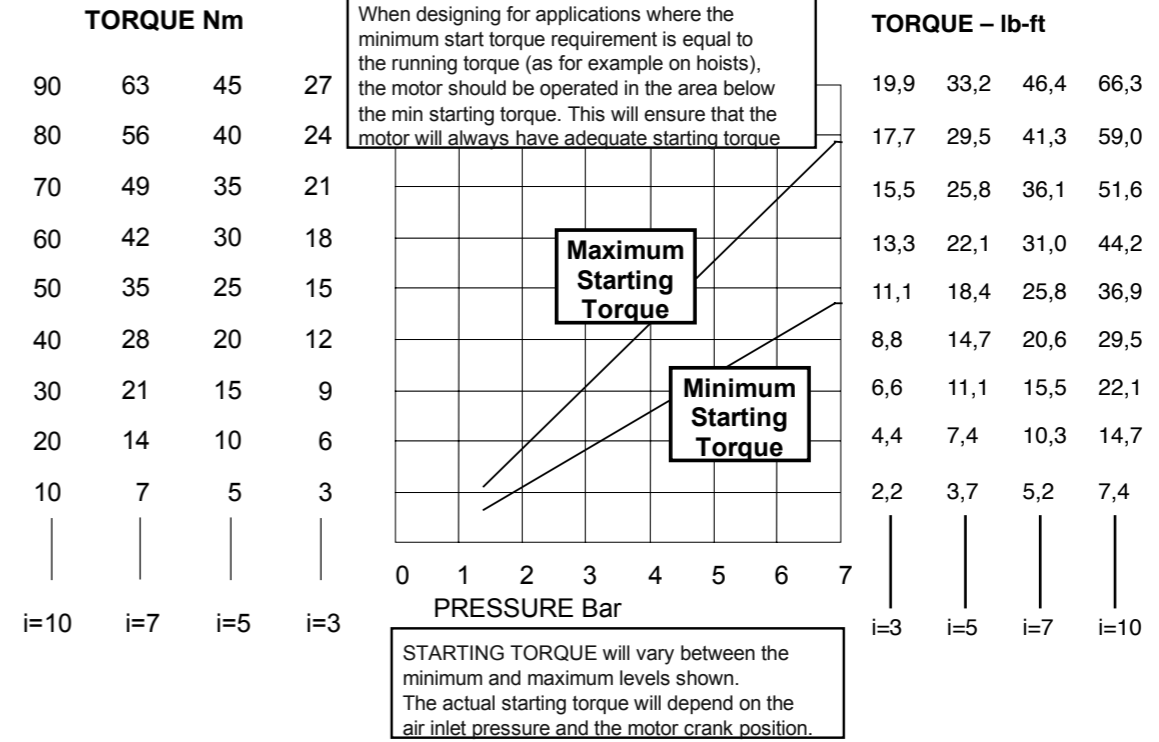


Motor	i	a	b	c1	c2	c3	d	e1	e2	f	g
VA4PFG03	3 5 7 10	89 (3.50")	213 (8.39")	49 (1.93")	40 (1.57")	32 (1.26")	20h6 (0.79")	55h7 (2.17")	70 (2.76")	85 (3.35")	102 (4.02")
VA4PFG04	16 20	89 (3.50")	244 (9.61")	49 (1.93")	40 (1.57")	32 (1.26")	20h6 (0.79")	55h7 (2.17")	70 (2.76")	85 (3.35")	102 (4.02")
VA4PFG06	20 28 40	89 (3.50")	271 (10.67")	61 (2.40")	50 (1.97")	40 (1.57")	25h6 (0.98")	80h7 (3.15")	100 (3.94")	120 (4.72")	102 (4.02")
VA4PFG07 On request	50 70	89 (3.50")	309 (12.17")	95 (3.74")	80 (3.15")	70 (2.76")	40h6 (1.57")	110h7 (4.33")	130 (5.12")	150 (5.91")	102 (4.02")

Motor	k	l	r	s	t	u
VA4PFG03	½"NPT	55 (2.17")	8 (0.31")	M6x12 (0.47")	22,5 (0.89")	6 (0.24")
VA4PFG04	½"NPT	55 (2.17")	8 (0.31")	M6x12 (0.47")	22,5 (0.89")	6 (0.24")
VA4PFG06	½"NPT	55 (2.17")	10 (0.39")	M8x16 (0.63")	28,0 (1.10")	8 (0.31")
VA4PFG07 On request	½"NPT	55 (2.17")	14 (0.55")	M10x20 (0.79")	43,0 (1.69")	12 (0.47")



TORQUE - PRESSURE



Muffler supplied with motor.

Motor is reversible.

ATTITUDE

The motor can be operated in all positions.

Maximum temperature -20°C to +80°C

(-4°F to -176°F).

Maximum radial load: 1770 N

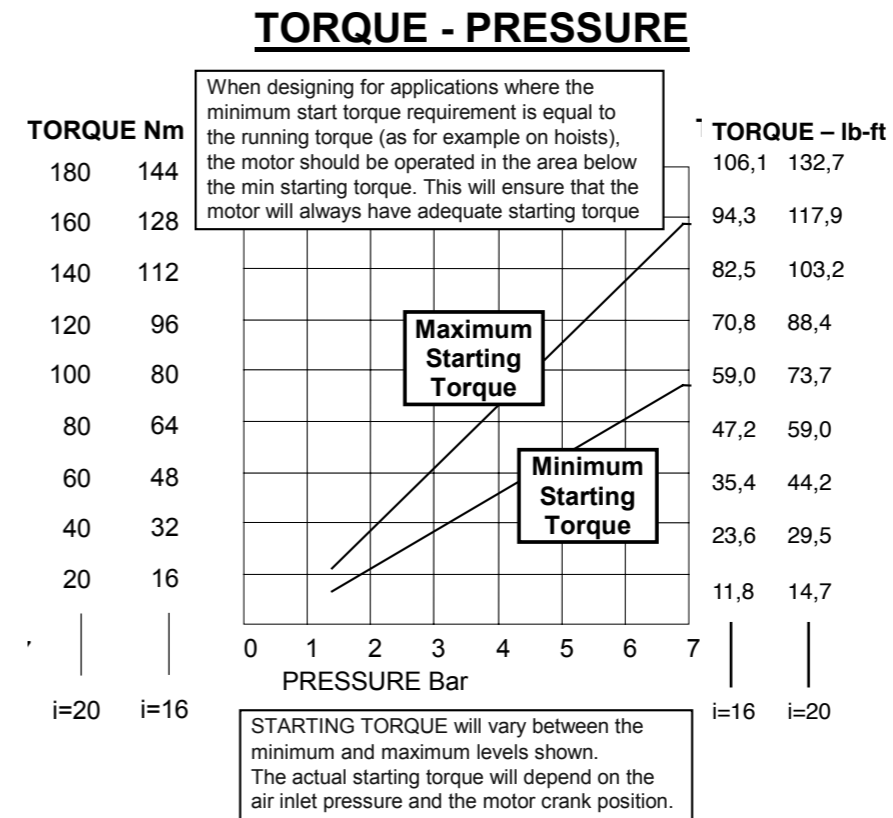
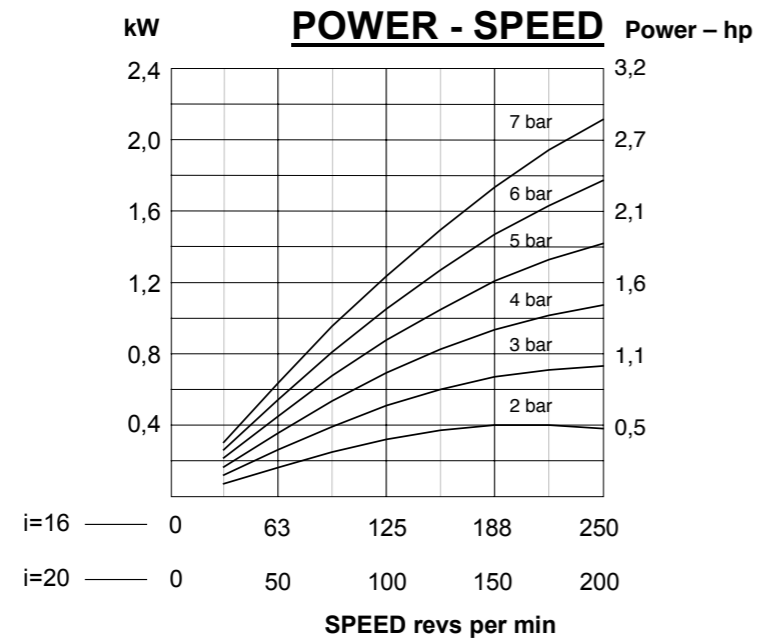
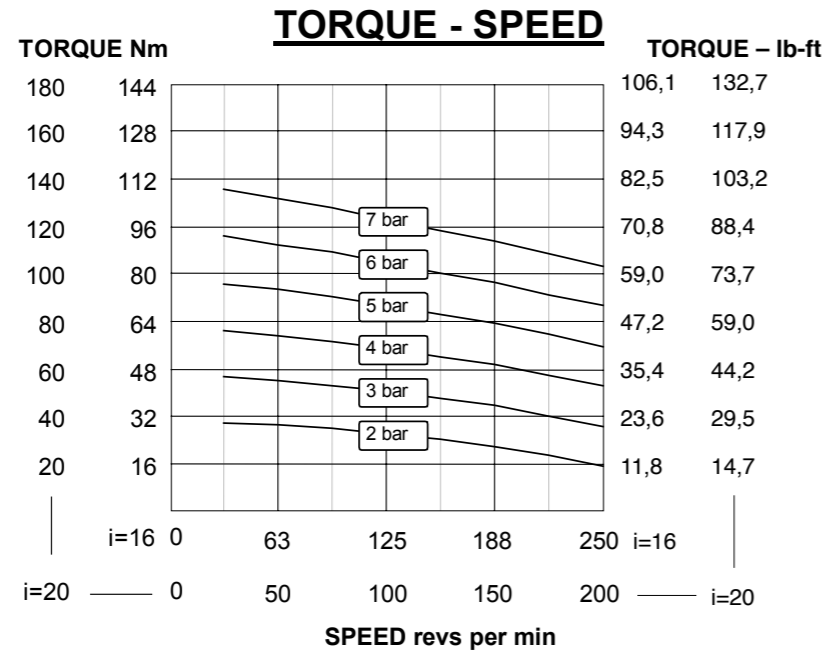
Maximum axial load: 2180 N

AIRLINE FILTRATION AND LUBRICATION

Use 64 micron filtration or better. Choose a lubricator suitable for the flow required. Prior to initial start-up, inject oil into the inlet port.

Lubricator drop rate 4-5 drops/minute continuous operation

Lubricator drop rate 9-12 drops/minute intermittent operation



Muffler supplied with motor.

Motor is reversible.

ATTITUDE

The motor can be operated in all positions.

Maximum temperature -20°C to +80°C (-4°F to +176°F).

Maximum radial load: 1770 N

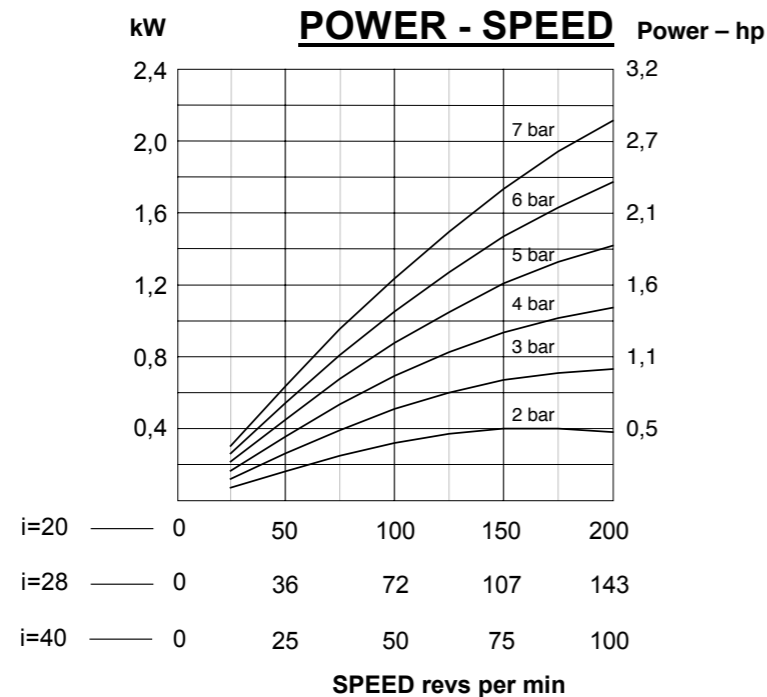
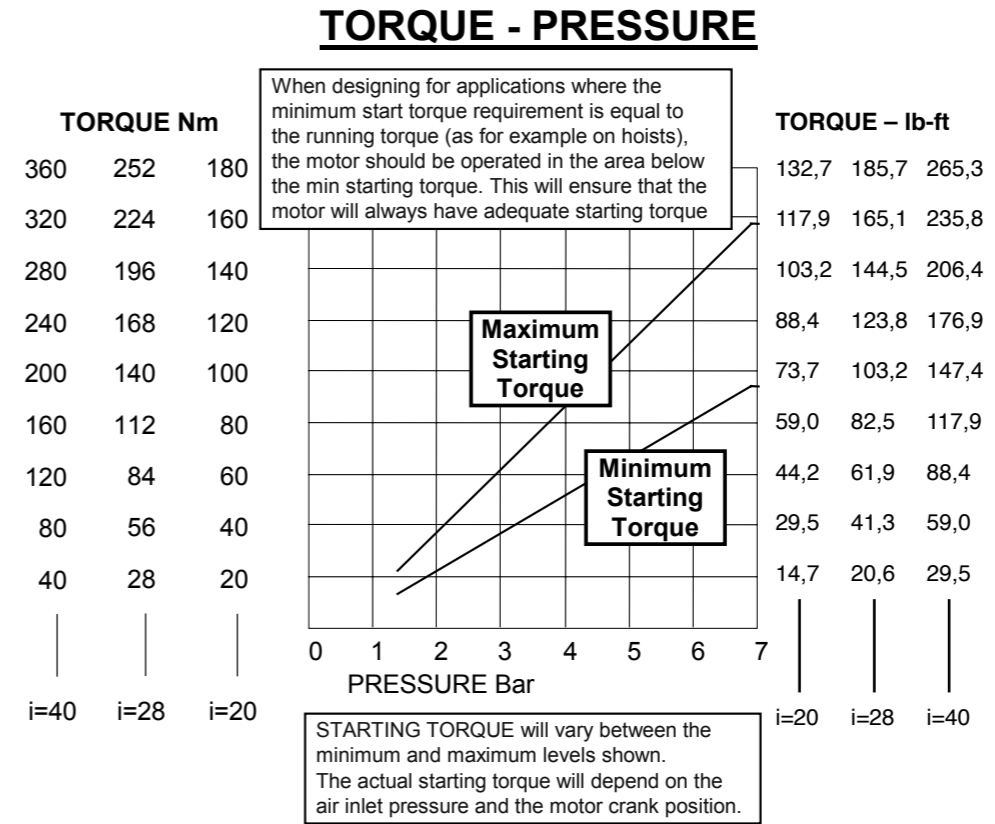
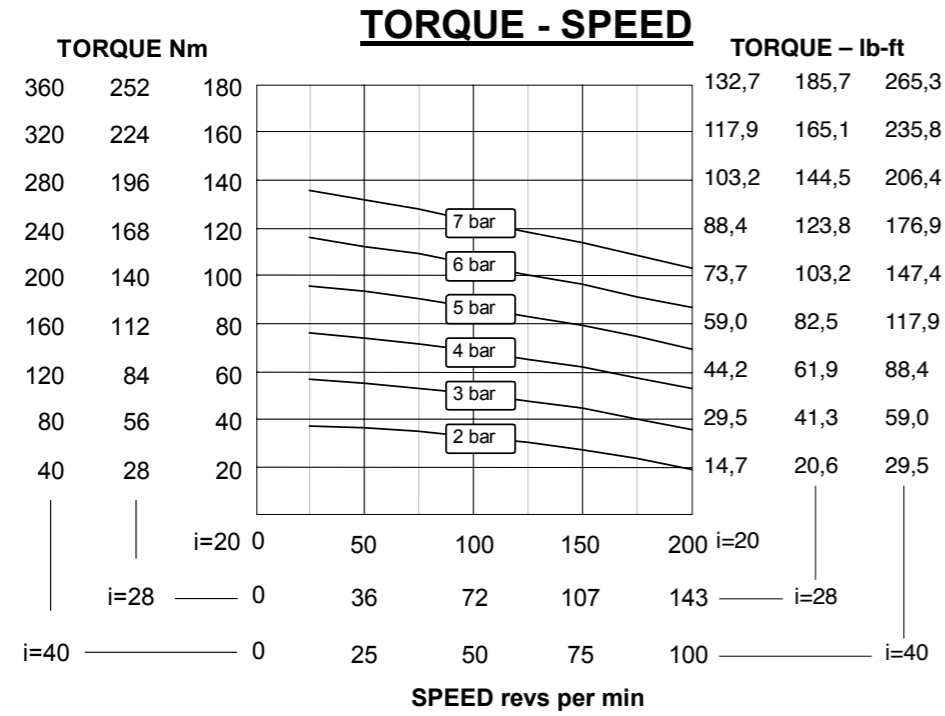
Maximum axial load: 2180 N

AIRLINE FILTRATION AND LUBRICATION

Use 64 micron filtration or better. Choose a lubricator suitable for the flow required. Prior to initial start-up, inject oil into the inlet port.

Lubricator drop rate 4-5 drops/minute continuous operation

Lubricator drop rate 9-12 drops/minute intermittent operation



Muffler supplied with motor.

Motor is reversible.

ATTITUDE

The motor can be operated in all positions.

Maximum temperature -20°C to +80°C (-4°F to +176°F).

Maximum radial load: 3000 N

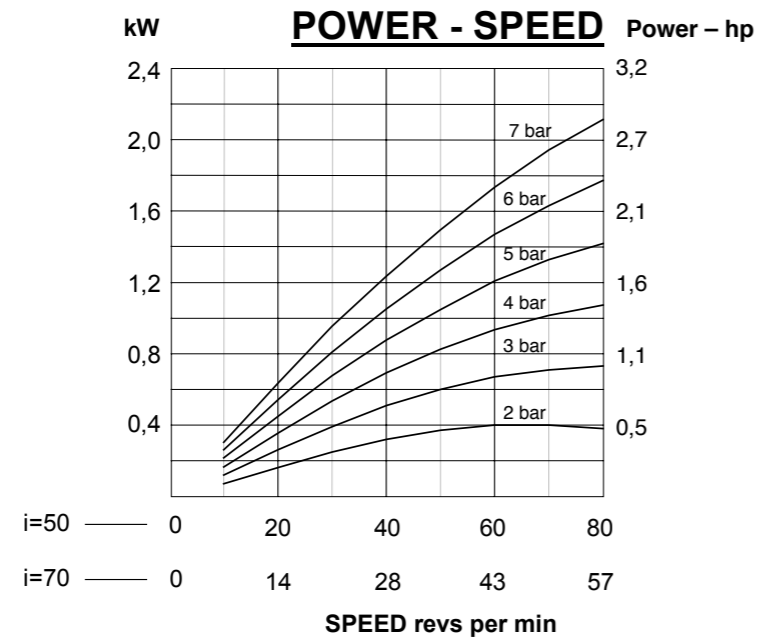
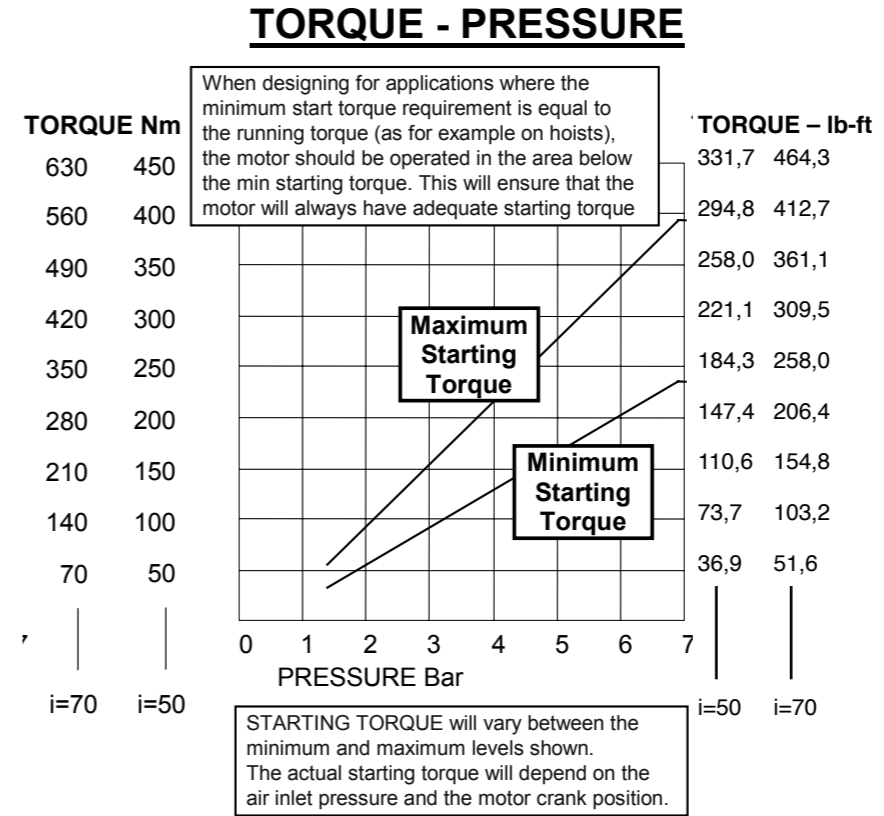
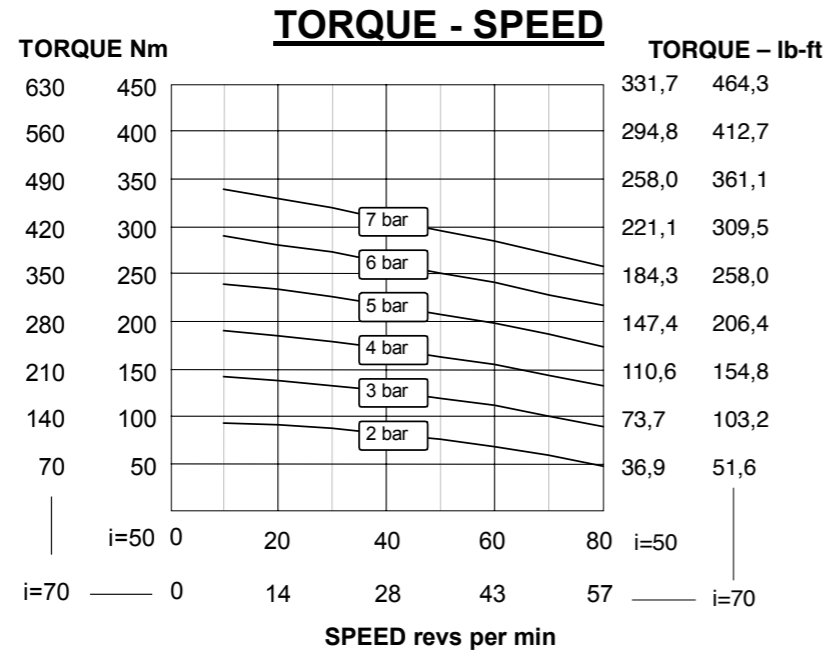
Maximum axial load: 3730 N

AIRLINE FILTRATION AND LUBRICATION

Use 64 micron filtration or better. Choose a lubricator suitable for the flow required. Prior to initial start-up, inject oil into the inlet port.

Lubricator drop rate 4-5 drops/minute continuous operation

Lubricator drop rate 9-12 drops/minute intermittent operation



Muffler supplied with motor.

Motor is reversible.

ATTITUDE

The motor can be operated in all positions.

Maximum temperature -20°C to +80°C (-4°F to +176°F).

Maximum radial load: 6770 N

Maximum axial load: 7730 N

AIRLINE FILTRATION AND LUBRICATION

Use 64 micron filtration or better. Choose a lubricator suitable for the flow required. Prior to initial start-up, inject oil into the inlet port.

Lubricator drop rate 4-5 drops/minute continuous operation

Lubricator drop rate 9-12 drops/minute intermittent operation



VANE AIR MOTORS WITH BRAKE

The GLOBE vane air motors are also available in combination with a pneumatic brake.

The GLOBE BN brakes are fail-safe brakes (spring engaged, air released). They can be used as a static brake and under certain conditions in dynamic applications.

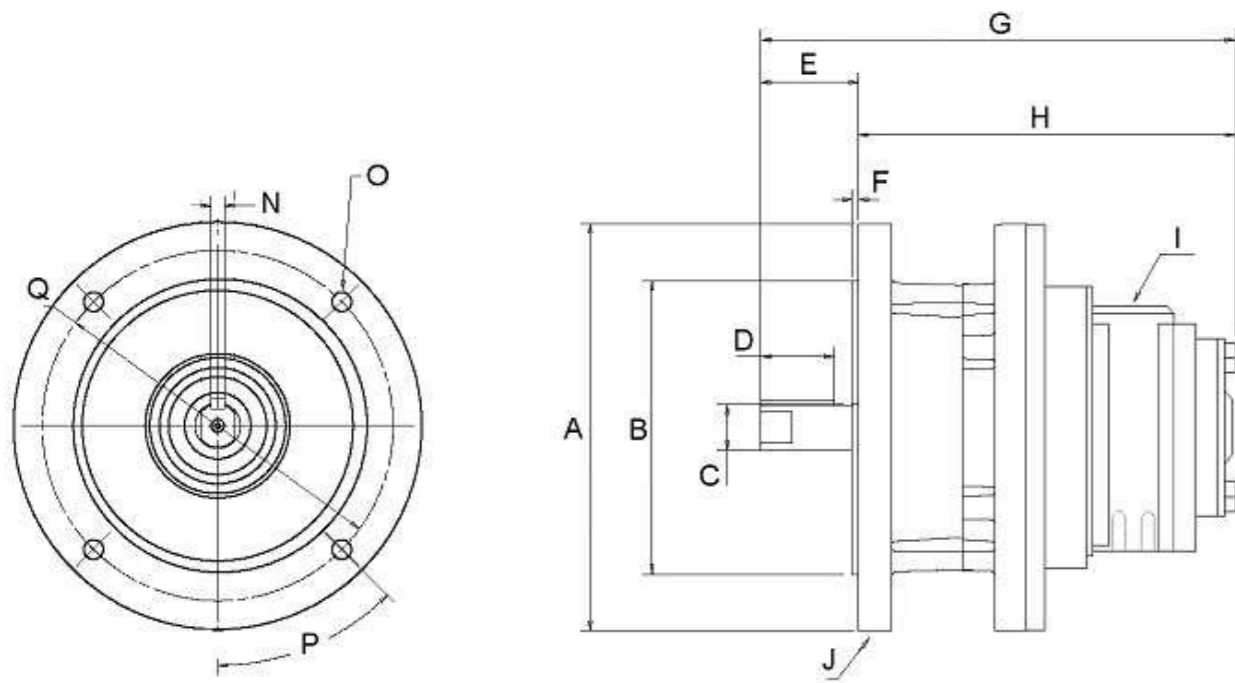
The pneumatic brake is mounted directly onto the vane air motor.

Vane air motors with brake are certified according to the European Explosive Directive ATEX II cat. 2 G&D T3 (in static applications only).

THE ADVANTAGES OF THE VANE AIR MOTORS WITH BRAKE INCLUDE:

- Braked vane air motors can be used in hold and emergency stop
- Field serviceable;
- Easy flange connection according to IEC and NEMA standards;
- Low maintenance because very few parts are exposed to wear;
- Compact design;
- Easy interchangeable because of independent brake module;
- Cast-iron or steel housing and excellent thermal capacity for use in harsh environments;
- Long life-time;
- Certified according to the European Explosive Directive ATEX II cat. 2 G&D T3.

GLOBE VANE MOTOR WITH BN BRAKE



Braked air motor type	A Ø	B Ø	C Ø	D	E	F	G	H	I
VS4BN71	160 (6.30")	110H7 (4.33")	14H7 (0.55")	25 (0.98")	30 (1.18")	3,5 (0.14")	240 (9.45")	210 (8.27")	½ BSP
VS6BN90	200 (7.87")	130H7 (5.12")	24H7 (0.94")	35 (1.38")	50 (1.97")	5 (0.20")	347 (13.66")	297 (11.69")	¾ BSP
VS8BN90	200 (7.87")	130H7 (5.12")	24H7 (0.94")	35 (1.38")	50 (1.97")	5 (0.20")	350 (13.78")	300 (11.81")	1 BSP
VS10BN100	250 (9.84")	180H7 (7.09")	28H7 (1.10")	55 (2.17")	60 (2.36")	5 (0.20")	388 (15.28")	328 (12.91")	1 ¼ BSP

Braked air motor type	J	N	O Ø	P	Q Ø
VS4BN71	1/8BSP	5 (0.20")	10 (0.39")	45 (1.77")	130 (5.12")
VS6BN90	1/8BSP	8 (0.31")	10 (0.39")	45 (1.77")	165 (6.50")
VS8BN90	1/8BSP	8 (0.31")	10 (0.39")	45 (1.77")	165 (6.50")
VS10BN100	1/4BSP	8 (0.31")	12 (0.47")	45 (1.77")	215 (8.46")

		Holding Torque	Release pressure
VS4BN71	IEC 71 (B5)	14 Nm / 10.3 lb-ft	3,4 bar / 50 psi
VS6BN90/VS8BN90	IEC 90 (B5)	29 Nm / 21.4 lb-ft	3,4 bar / 50 psi
VS10BN100	IEC 100 (B5)	50 Nm / 36.9 lb-ft	3,4 bar / 50 psi



DIRECT CONTROLLED VANE AIR MOTORS

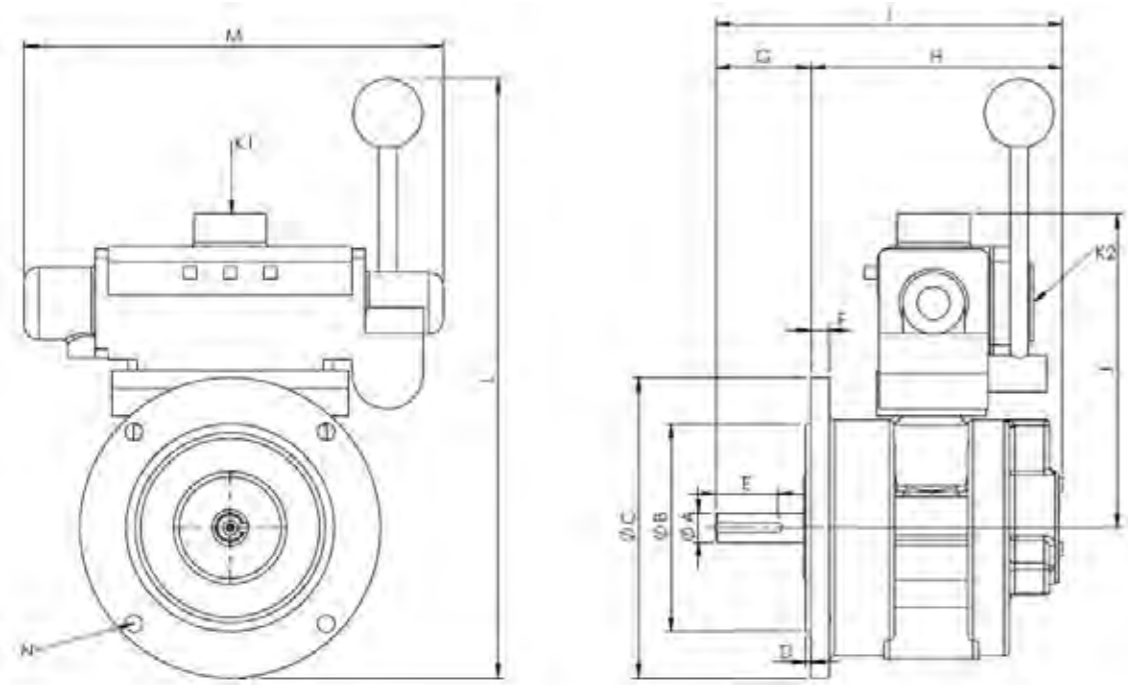
The GLOBE vane air motors can also be used in combination with a control valve which is directly mounted on top of the motor.

The control valves are available in two different types, the remote controlled and hand controlled valves. The control valves are proportional and allow the user to control the speed and direction of the air motor.

ADVANTAGES OF THE DIRECT CONTROLLED VANE AIR MOTORS ARE:

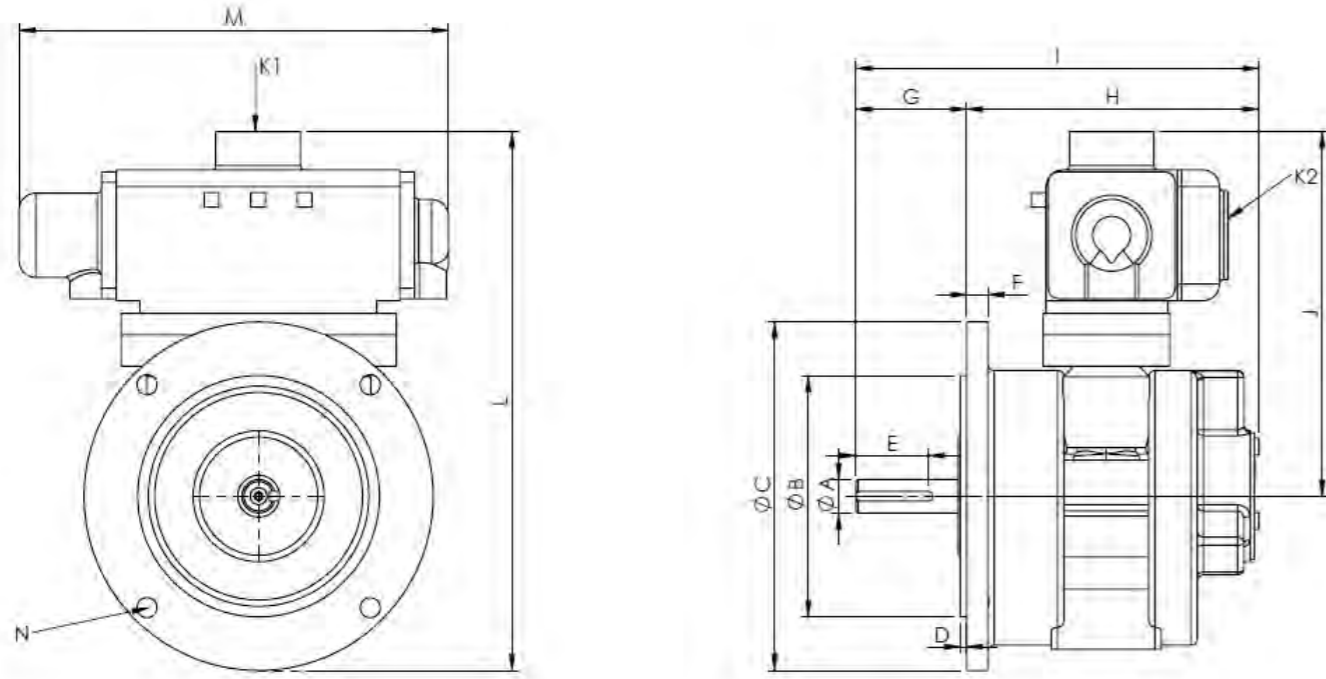
- Compact build because the control valve is mounted directly on the motor.
- Both remote and hand control possible.
- Proportional valves, allowing the user to have better control over the speed.
- The control valves are also certified according to the European Explosive Directive ATEX II cat. 2 G&D T5.
- Control valves have a biased option for normal speed in hoisting and reduced speed in lowering. This option is very common in winching applications.





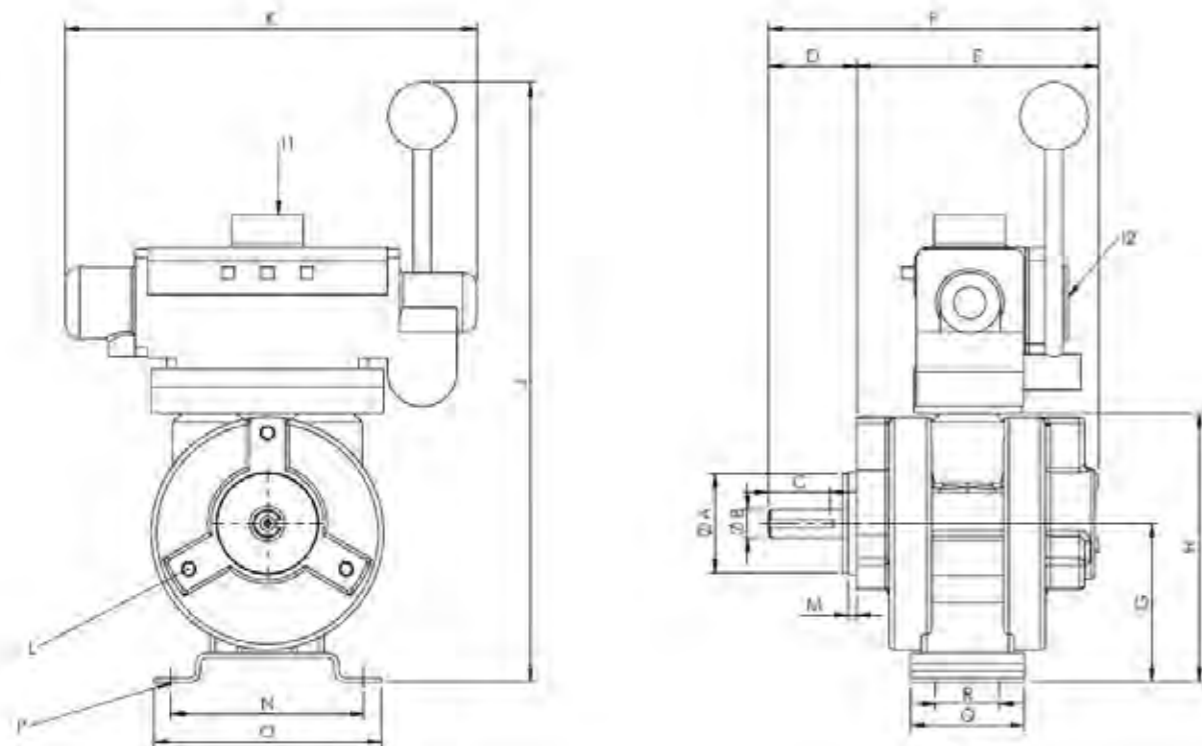
Motor with Hand controlled valve	A Ø	B Ø	C Ø	D	E	F	G	H
VA2C NEMA+ HCV110	15.875 (0.6250")	114.27 (4.499")	165 (6.5")	3 (0.12")	No key	10 (0.393")	52 (2.05")	117.25 (4.61")
	15.862 (0.6245")	114.20 (4.496")						
VA4C NEMA+ HCV210	15.875 (0.6250")	114.27 (4.499")	165 (6.5")	3 (0.12")	Key 3.18 (0.125") SQ 19 (0.75") Long	10 (0.393")	52 (2.05")	115 (4.53")
	15.862 (0.6245")	114.20 (4.496")						
VA6C NEMA+ HCV210	15.875 (0.6250")	114.27 (4.499")	165 (6.5")	3 (0.12")	Key 4.76 (0.188") SQ 36.5 (1.438") Long	10 (0.393")	52 (2.05")	138 (5.43")
	15.862 (0.6245")	114.20 (4.496")						
VA8C NEMA+ HCV310	22.23 (0.875")	114.30 (4.500")	165 (6.5")	3 (0.12")	Key 4.76 (0.188") SQ 36.5 (1.438") Long	10 (0.393")	54 (2.215")	161 (6.33")
	22.21 (0.874")	114.23 (4.498")						
VA10C NEMA+ HCV410	22.225 (0.875")	114.27 (4.499")	165 (6.5")	4 (0.16")	Key 4.76 (0.188") SQ 36.5 (1.438") Long	16 (0.63")	54 (2.215")	226 (8.89")
	22.212 (0.8745")	114.20 (4.496")						

Motor with Hand controlled valve	I	J	K1	K2	L	M	N
VA2C NEMA+ HCV110	169.25 (6.62")	152.5 (6.00")	Inlet ½" BSP	Outlet ½" BSP	356 (14.01")	231 (9.09")	4 holes - 3.8"-16-UNC equispaced on 149.23 (5.875") P.C.D.
	167 (6.57")	150.5 (5.92")	Inlet ¾" BSP	Outlet ¾" BSP	307.3 (12.10")	230 (9.05")	4 holes - 3.8"-16-UNC equispaced on 149.23 (5.875") P.C.D.
VA6C NEMA+ HCV210	190 (7.48")	172.5 (6.79")	Inlet ¾" BSP	Outlet ¾" BSP	329.3 (12.96")	230 (9.05")	4 holes - 3.8"-16-UNC equispaced on 149.23 (5.875") P.C.D.
	215 (8.47")	192 (7.56")	Inlet 1" BSP	Outlet 1" BSP	353.84 (13.93")	311 (12.24")	4 holes - 3.8"-16-UNC equispaced on 149.23 (5.875") P.C.D.
VA10C NEMA+ HCV410	280 (11.03")	218.7 (8.61")	Inlet 1 ¼" BSP	Outlet 1 ¼" BSP	379.93 (14.96")	313 (12.32")	4 holes - 3.8"-16-UNC equispaced on 149.23 (5.875") P.C.D.



Motor with Remote controlled valve	A Ø	B Ø	C Ø	D	E	F	G	H
VA2C NEMA+RCV110	15.875 (0.6250")	114.27 (4.499")	165 (6.5")	3 (0.12")	No key	10 (0.393")	52 (2.05")	109.25 (4.30")
	15.862 (0.6245")	114.20 (4.496")						
VA4C NEMA+RCV210	15.875 (0.6250")	114.27 (4.499")	165 (6.5")	3 (0.12")	Key 3.18 (0.125") SQ	10 (0.393")	52 (2.05")	109.25 (4.30")
	15.862 (0.6245")	114.20 (4.496")			19 (0.75") Long			
VA6C NEMA+RCV210	15.875 (0.6250")	114.27 (4.499")	165 (6.5")	3 (0.12")	Key 4.76 (0.188") SQ	10 (0.393")	52 (2.05")	138 (5.43")
	15.862 (0.6245")	114.20 (4.496")			36.5 (1.438") Long			
VA8C NEMA+RCV310	22.23 (0.875")	114.30 (4.500")	165 (6.5")	3 (0.12")	Key 4.76 (0.188") SQ	10 (0.393")	54 (2.215")	161 (6.33")
	22.21 (0.874")	114.23 (4.498")			36.5 (1.438") Long			
VA10C NEMA+RCV410	22.225 (0.875")	114.27 (4.499")	165 (6.5")	4 (0.16")	Key 4.76 (0.188") SQ	16 (0.63")	54 (2.215")	226 (8.89")
	22.212 (0.8745")	114.20 (4.496")			36.5 (1.438") Long			

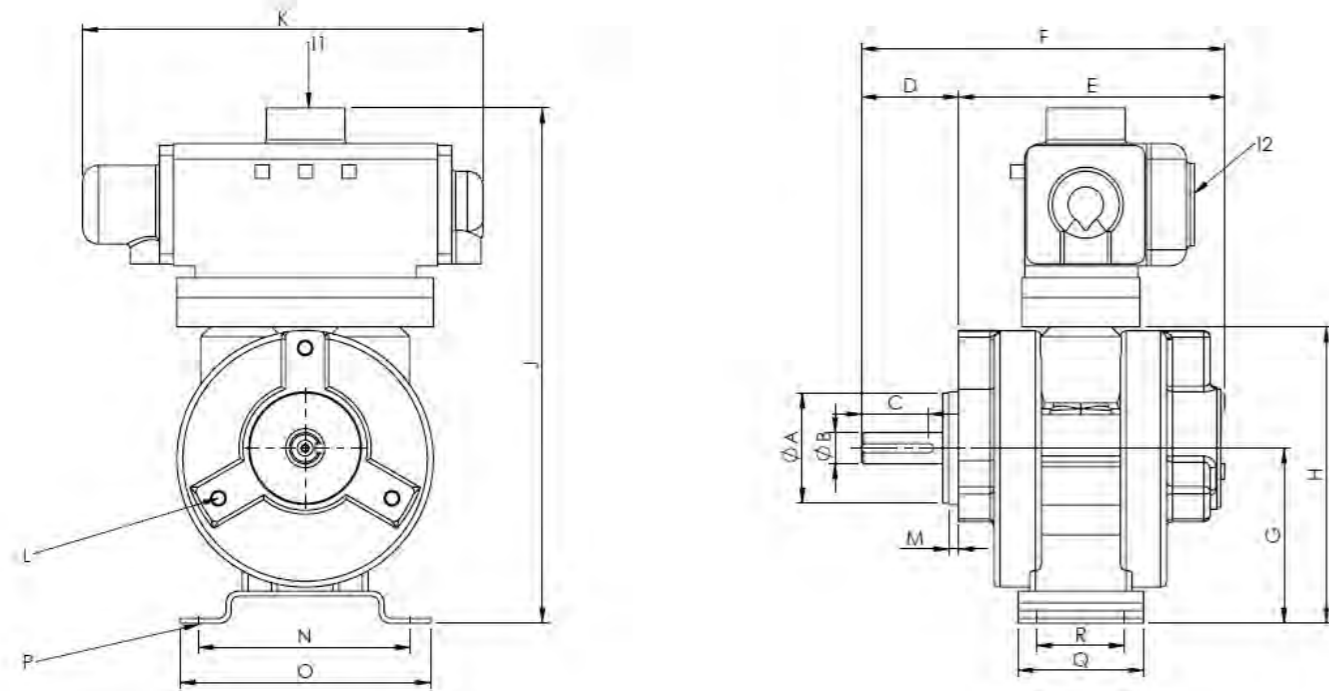
Motor with Remote controlled valve	I	J	K1	K2	L	M	N
VA2C NEMA+RCV110	161.25 (6.35")	152.5 (6.00")	Inlet ½"BSP	Outlet ½" BSP	235 (9.25")	203 (7.99")	4 holes - 3.8"-16- UNC equispaced on 149.23 (5.875") P.C.D.
VA4C NEMA+RCV210	161.25 (6.35")	150.5 (5.92")	Inlet ¾"BSP	Outlet ¾"BSP	233 (9.17")	203 (7.99")	4 holes - 3.8"-16- UNC equispaced on 149.23 (5.875") P.C.D.
VA6C NEMA+RCV210	190 (7.48")	172.5 (6.79")	Inlet ¾"BSP	Outlet ¾"BSP	255 (10.04")	203 (7.99")	4 holes - 3.8"-16- UNC equispaced on 149.23 (5.875") P.C.D.
VA8C NEMA+RCV310	215 (8.47")	193 (7.60")	Inlet 1"BSP	Outlet 1"BSP	275.5 (10.84")	275 (10.83")	4 holes - 3.8"-16- UNC equispaced on 149.23 (5.875") P.C.D.
VA10C NEMA+RCV410	280 (11.03")	218.7 (8.61")	Inlet 1 ¼" BSP	Outlet 1 ¼" BSP	307.5 (12.10")	278 (10.94")	4 holes - 3.8"-16- UNC equispaced on 149.23 (5.875") P.C.D.



Motor with Hand controlled valve	A Ø	B Ø	C	D	E	F	G
VA2J&X+HCV110	44.42 (1.749")	12.7 (0.5000")	No key	44.5 (1.75")	117,75 (4.635")	148,25 (5.836")	88,85 (3.5")
	44.38 (1.747")	12.687 (0.4995")					
VA4J&X+HCV210	44.42 (1.749")	12.7 (0.5000")	Key 3.18 (0.125") SQ 19 (0.75") Long	44.5 (1.75")	101 (3.976")	145,5 (5.728")	89 (3.504")
	44.38 (1.747")	12.687 (0.4995")					
VA6J&X+HCV210	57.15 (2.250")	15.875 (0.625")	Key 4.76 (0.188") SQ 36.5 (1.438") Long	49.2 (1.94")	135 (5.31")	184,2 (7.252")	88,9 (3.5")
	57.10 (2.248")	15.862 (0.624")					
VA8J&X+HCV310	76.2 (3.00")	19.06 (0.750")	Key 28 (1.10")	53 (2.09")	149 (5.866")	202 (7.97")	89 (3.504")
	76.1 (2.996")	19.04 (0.749")					
VA10J&X+HCV410	98.42 (3.875")	28.575 (1.1250")	Key 6.35 (0.250") SQ 44.5 (1.75") Long	103 (4.06")	199 (7.834")	302 (11.88")	101.6 (4.000")
	98.37 (3.873")	28.560 (1.1244")					101.3 (3.988")

Motor with Hand controlled valve	H	I1	I2	J	K	L
VA2J&X+HCV110	140,35 (5.53")	Inlet ½"BSP	Outlet ½"BSP	362,35 (14.265")	231 (9.09")	3 holes ¼"-20 UNC x 12 (0.47") Deep spaced on 63.5 (2.5") P.C.D.
VA4J&X+HCV210	138,5 (5.452")	Inlet ¾"BSP	Outlet ¾"BSP	314 (12.362")	230 (9.05")	3 holes ¼"-20 UNC x 12 (0.47") Deep spaced on 63.5 (2.5") P.C.D.
VA6J&X+HCV210	150,5 (5.94")	Inlet ¾"BSP	Outlet ¾"BSP	335 (13.188")	230 (9.05")	3 holes 5/16"-18 UNC X 20 (25/32") deep equispaced on 101.6 (4.000") P.C.D.
VA8J&X+HCV310	160 (6.31")	Inlet 1" BSP	Outlet 1" BSP	360 (14.173")	311 (12.24")	4 holes tapped 3/8"-16 UNC x 16 (0.63") deep equispaced on 98.43 (3.875") P.C.D.
VA10J&X+HCV410	187 (7.38")	Inlet 1 ¼" BSP	Outlet 1 ¼"BSP	393 (15.472")	313 (12.32")	4 holes 7/16"-14 UNC x 16 (0.63") deep equispaced on 123.8 (4.874") P.C.D.

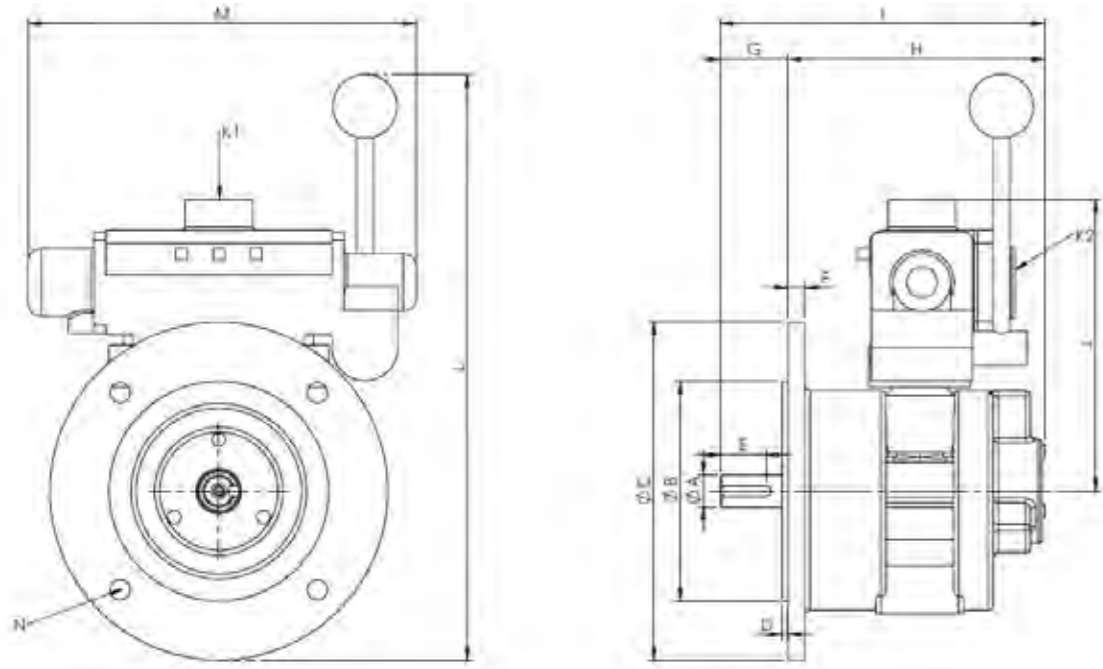
Motor with Hand controlled valve	M	N	O	P	Q	R
VA2J&X+HCV110	16 (0.63")	76 (3.0")	90 (3.54")	4 mounting holes Ø7 (0.28")	38 (1.5")	24 (0.94")
VA4J&X+HCV210	16 (0.63")	76 (3.0")	90 (3.54")	4 mounting holes Ø7 (0.28")	38 (1.5")	24 (0.94")
VA6J&X+HCV210	5 (0.2")	108 (4.250")	127 (5.00")	4 mounting holes Ø9 (11/32")	63.5 (2.50")	44.4 (1.75")
VA8J&X+HCV310	x	114.3 (4.50")	134 (5.26")	4 mounting holes Ø9 (11/32")	72 (2.84")	51 (2.00")
VA10J&X+HCV410	x	171.45 (6.750")	200 (7.88")	4 mounting holes Ø10.3 (4.06")	102 (4.00")	69.85 (2.750")



Motor with Remote controlled valve	A ∅	B ∅	C	D	E	F	G
VA2J&X+RCV110	44.42 (1.749")	12.7 (0.5000")	No key	44.5 (1.75")	95.75 (3.769")	140.25 (5.521")	88.85 (3.5")
	44.38 (1.747")	12.687 (0.4995")					
VA4J&X+RCV210	44.42 (1.749")	12.7 (0.5000")	Key 3.18 (0.125") SQ 19 (0.75") Long	44.5 (1.75")	95.25 (3.75")	139.75 (5.502")	89 (3.504")
	44.38 (1.747")	12.687 (0.4995")					
VA6J&X+RCV210	57.15 (2.250")	15.875 (0.625")	Key 4.76 (0.188") SQ 36.5 (1.438") Long	49.2 (1.94")	135 (5.31")	184.2 (7.251")	88.9 (3.5")
	57.10 (2.248")	15.862 (0.624")					
VA8J&X+RCV310	76.2 (3.00")	19.06 (0.750")	Key 28 (1.10")	53 (20.9")	149 (5.866")	202 (7.952")	89 (3.504")
	76.1 (2.996")	19.04 (0.749")					
VA10J&X+RCV410	98.42 (3.875")	28.575 (1.125")	Key 6.35 (0.250") SQ 44.5 (1.75") Long	103 (4.06")	199 (7.834")	302 (11.89")	101.6 (4.000")
	98.37 (3.873")	28.560 (1.124")					101.3 (3.988")

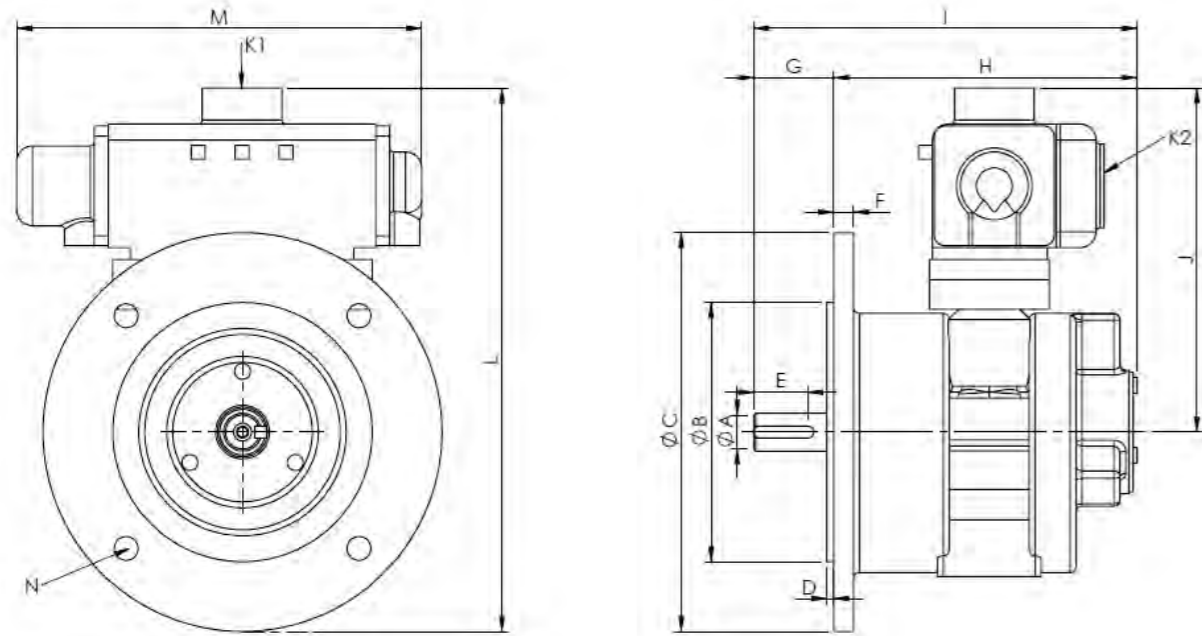
Motor with Remote controlled valve	H	I1	I2	J	K	L
VA2J&X+RCV110	140.35 (5.525")	Inlet ½"BSP	Outlet ½"BSP	241.35 (9.502")	203 (7.992")	3 holes ¼"-20 UNC x 12 (0.47") Deep spaced on 63.5 (2.5") P.C.D.
VA4J&X+RCV210	138.5 (5.452")	Inlet ¾"BSP	Outlet ¾"BSP	239.4 (9.425")	203 (7.992")	3 holes ¼"-20 UNC x 12 (0.47") Deep spaced on 63.5 (2.5") P.C.D.
VA6J&X+RCV210	150.5 (5.94")	Inlet ¾"BSP	Outlet ¾"BSP	261.4 (10.291")	203 (7.992")	3 holes 5/16"-18 UNC X 20 (25/32") deep equispaced on 101.6 (4.000") P.C.D.
VA8J&X+RCV310	160 (6.31")	Inlet 1" BSP	Outlet 1"BSP	282 (11.102")	275 (10.826")	4 holes tapped 3/8"-16 UNC x 16 (0.63") deep equispaced on 98.43 (3.875") P.C.D.
VA10J&X+RCV410	187 (7.38")	Inlet 1 ¼" BSP	Outlet 1 ¼"BSP	320.3 (12.610")	278 (10.944")	4 holes 7/16"-14 UNC x 16 (0.63") deep equispaced on 123.8 (4.874") P.C.D.

Motor with Remote controlled valve	M	N	O	P	Q	R
VA2J&X+RCV110	16 (0.63")	76 (3.0")	90 (3.54")	4 mounting holes ∅7 (0.28")	38 (1.5")	24 (0.94")
VA4J&X+RCV210	16 (0.63")	76 (3.0")	90 (3.54")	4 mounting holes ∅7 (0.28")	38 (1.5")	24 (0.94")
VA6J&X+RCV210	5 (0.2")	108 (4.250")	127 (5.000")	4 mounting holes ∅9 (11/23")	63.5 (2.50")	44.4 (1.75")
VA8J&X+RCV310	x	114.3 (4.50")	134 (5.26")	4 mounting holes ∅9 (11/23")	72 (2.84")	51 (2.00")
VA10J&X+RCV410	x	171.45 (6.750")	200 (7.88")	4 mounting holes ∅10.3 (4.06")	102 (4.00")	69.85 (2.750")



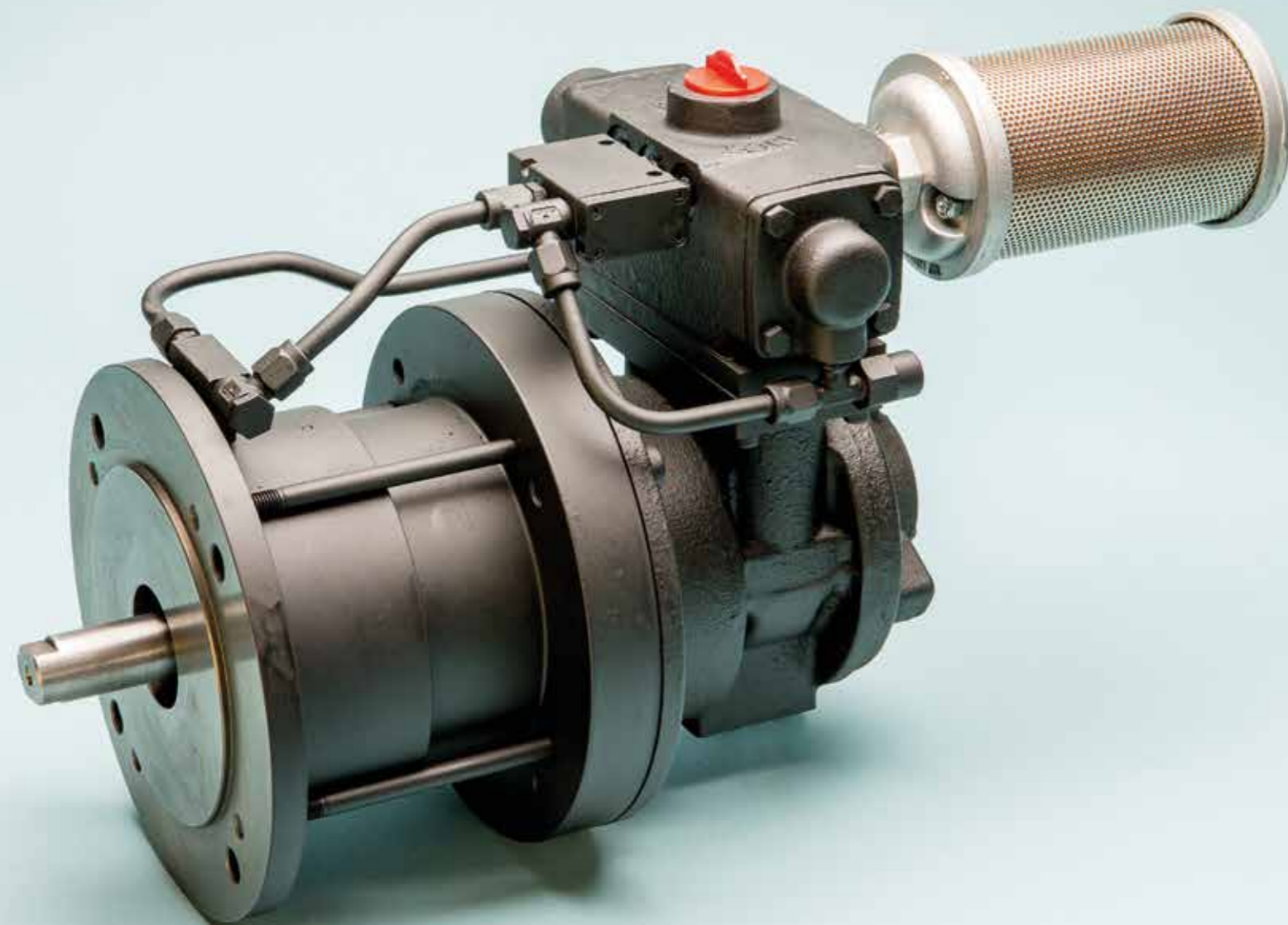
Motor with Hand controlled valve	A Ø	B Ø	C Ø	D	E	F
VS2C+HCV110	14.012 (0.5516")	110.000 (4.3307")	160 (6.30")	3.5 (0.14")	Key 5 (0.197") Square X 20 (0.78") Long rounded ends Tapped hole in shaft. M5X15 (0.59") Deep.	9 (0.35")
	14.001 (0.5512")	109.946 (4.3286")				
VS4C+HCV210	14.012 (0.5516")	110.000 (4.3307")	160 (6.30")	3.5 (0.14")	Key 5 (0.197") Square X 20 (0.78") Long rounded ends Tapped hole in shaft. M5X15 (0.59") Deep.	9 (0.35")
	14.001 (0.5512")	109.946 (4.3286")				
VS6C+HCV210	19.009 (0.7484")	130.000 (5.1181")	200 (7.87")	3.5 (0.14")	Key 6 (0.236") Square X 30 (1.18") Long rounded at one end. Tapped hole in shaft M6X15 (0.59") Deep.	10 (0.39")
	18.996 (0.7479")	129.937 (5.1156")				
VS8C+HCV310	24.009 (0.9452")	130.000 (5.1181")	200 (7.87")	3.5 (0.14")	Key 8 (0.315") Square X 7 (0.276") Deep X 36 (1.42") Long rounded ends. Tapped hole in shaft M8X20 (0.79") Deep.	10 (0.39")
	23.996 (0.9447")	129.937 (5.1156")				
VS10C+HCV410	28.009 (1.1027")	180.000 (7.0866")	250 (9.84")	4 (0.16")	Key 8 (0.315") Square X 7 (0.276") Deep X 45 (1.77") Long rounded ends. Tapped hole in shaft M10X25 (1") Deep.	11 (0.43")
	27.996 (1.1022")	179.937 (7.0841")				

Motor with Hand controlled valve	G	H	I	J	K1	K2	L	M	N
VS2C+HCV110	30 (1.18")	117.25 (4.61")	147.25 (5.80")	152.5 (6.00")	Inlet ½"BSP	Outlet ½"BSP	353.5 (13.92")	231 (9.09")	4 holes Ø9 (0.35") equispaced on 130 (5.118") P.C.D.
VS4C+HCV210	30 (1.18")	114.5 (4.51")	144.5 (5.69")	150.5 (5.92")	Inlet ¾"BSP	Outlet ¾"BSP	304.8 (12.00")	230 (9.05")	4 holes Ø9 (0.35") equispaced on 130 (5.118") P.C.D.
VS6C+HCV210	40 (1.57")	152 (5.98")	192 (7.56")	172.5 (6.79")	Inlet ¾"BSP	Outlet ¾"BSP	346.8 (13.65")	230 (9.05")	4 holes Ø12 (0.47") Equispaced on 165 (6.496") P.C.D.
VS8C+HCV310	50 (1.97")	155 (6.10")	205 (8.07")	192 (7.56")	Inlet 1"BSP	Outlet 1"BSP	371.3 (14.62")	311 (12.24")	4 holes Ø12 (0.47") Equispaced on 165 (6.496") P.C.D.
VS10C+HCV410	60 (2.36")	225 (8.86")	305 (12.01")	218.7 (8.61")	Inlet 1 ¼"BSP	Outlet 1 ¼"BSP	416.1 (16.38")	313 (12.32")	4 holes Ø15 (0.59") Equispaced on 215 (8.465") P.C.D.



Motor with Remote controlled valve	A Ø	B Ø	C Ø	D	E	F	G	H
VS2C+RCV110	14.012 (0.5516")	110.000 (4.3307")	160 (6.30")	3.5 (0.14")	Key 5 (0.197") Square X 20 (0.78") Long rounded ends	9 (0.35")	30 (1.18")	109.25 (4.30")
	14.001 (0.5512")	109.946 (4.3286")			Tapped hole in shaft. M5X15 (0.59") Deep.			
VS4C+RCV210	14.012 (0.5516")	110.000 (4.3307")	160 (6.30")	3.5 (0.14")	Key 5 (0.197") Square X 20 (0.78") Long rounded ends	9 (0.35")	30 (1.18")	108.75 (4.28")
	14.001 (0.5512")	109.946 (4.3286")			Tapped hole in shaft. M5X15 (0.59") Deep.			
VS6C+RCV210	19.009 (0.7484")	130.000 (5.1181")	200 (7.87")	3.5 (0.14")	Key 6 (0.236") Square X 30 (1.18") Long rounded at one end. Tapped hole in shaft M6X15 (0.59") Deep.	10 (0.39")	40 (1.57")	152 (5.98")
	18.996 (0.7479")	129.937 (5.1156")						
VS8C+RCV310	24.009 (0.9452")	130.000 (5.1181")	200 (7.87")	3.5 (0.14")	Key 8 (0.315") Square X 7 (0.276") Deep X 36 (1.42") Long rounded ends. Tapped hole in shaft M8X20 (0.79") Deep.	10 (0.39")	50 (1.97")	155 (6.10")
	23.996 (0.9447")	129.937 (5.1156")						
VS10C+RCV410	28.009 (1.1027")	180.000 (7.0866")	250 (9.84")	4 (0.16")	Key 8 (0.315") Square X 7 (0.276") Deep X 45 (1.77") Long rounded ends. Tapped hole in shaft M10X25 (1") Deep.	11 (0.43")	60 (2.36")	225 (8.86")
	27.996 (1.1022")	179.937 (7.0841")						

Motor with Remote controlled valve	I	J	K1	K2	L	M	N
VS2C+RCV110	139.25 (5.48")	152.5 (6.00")	Inlet ½"BSP	Outlet ½"BSP	232.5 (9.15")	203 (7.99")	4 holes Ø9 (0.35") equispaced on 130 (5.118") P.C.D.
VS4C+RCV210	138.75 (5.46")	150.5 (5.92")	Inlet ¾"BSP	Outlet ¾"BSP	230.5 (9.07")	203 (7.99")	4 holes Ø9 (0.35") equispaced on 130 (5.118") P.C.D.
VS6C+RCV210	192 (7.56")	172.5 (6.79")	Inlet ¾"BSP	Outlet ¾"BSP	275.5 (10.84")	203 (7.99")	4 holes Ø12 (0.47") Equispaced on 165 (6.496") P.C.D.
VS8C+RCV310	205 (8.07")	193 (7.59")	Inlet 1"BSP	Outlet 1"BSP	293 (11.53")	275 (10.82")	4 holes Ø12 (0.47") Equispaced on 165 (6.496") P.C.D.
VS10C+RCV410	305 (12.01")	218.7 (8.61")	Inlet 1 ¼"BSP	Outlet 1 ¼"BSP	343.7 (13.53")	278 (10.95")	4 holes Ø15 (0.59") Equispaced on 215 (8.465") P.C.D.



AIR MOTOR UNIT FOR WINCHES

APPLICATION

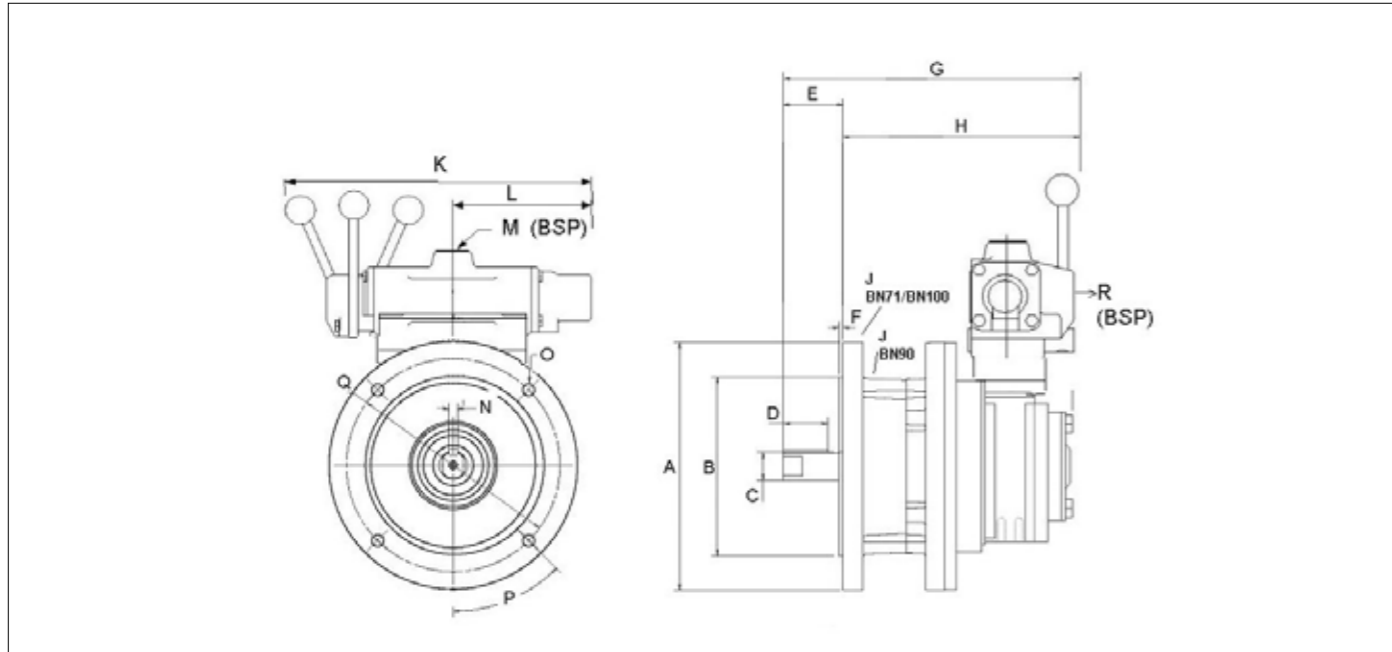
GLOBE has developed specially for winch and hoist applications a braked air motor set. The unit has a robust GLOBE vane motor with an fail safe BN brake and a proportional directional control valve.

The vane motor is of robust design and very good for harsh conditions. The BN brake is a spring loaded, air release failsafe brake. The holding torque is 1,5 to 2 times the maximum torque of the motor.

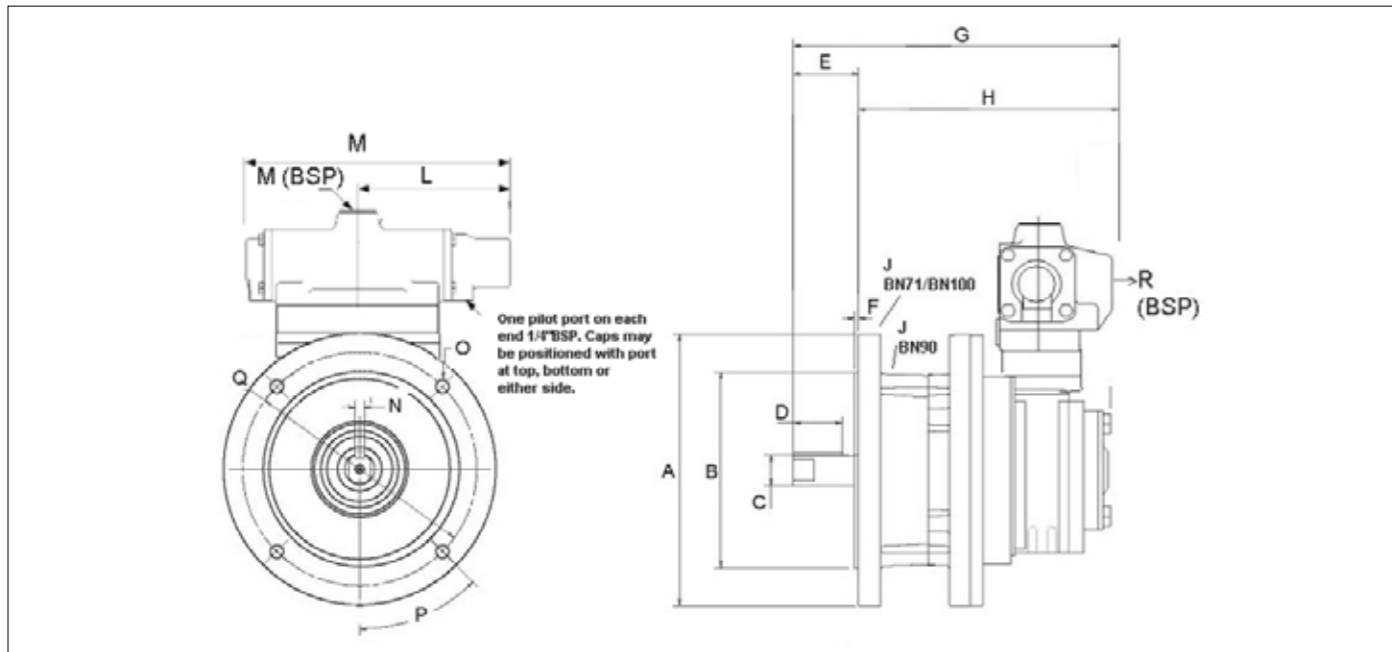
On top of the motor a proportional control valve is mounted. It can be a proportional remote control valve or a proportional hand control valve. The proportional valve controls the direction and speed of the motor. The brake is released with pipelines from the proportional control valve. The unit is designed that the motor is under pressure before the brake is released.

As standard the proportional valves can be supplied with either Equal Power or Biased Power spools, the latter is suitable for hoisting applications. The motor will have maximum power in lifting and reduced power in lowering. Because of the biased valve the load will not pull the motor in over speed in lowering direction.

The air motor unit confirms to European Standard NEN-EN 13463-1 for non-electrical equipment for explosive atmospheres ATEX GROUP II cat 2 GDc T3.



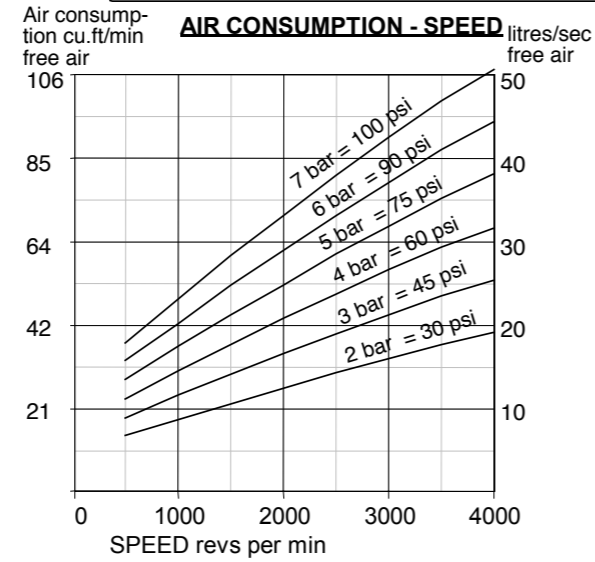
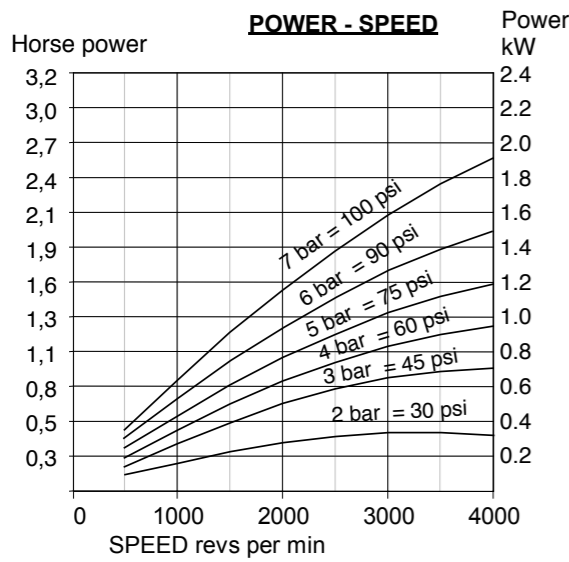
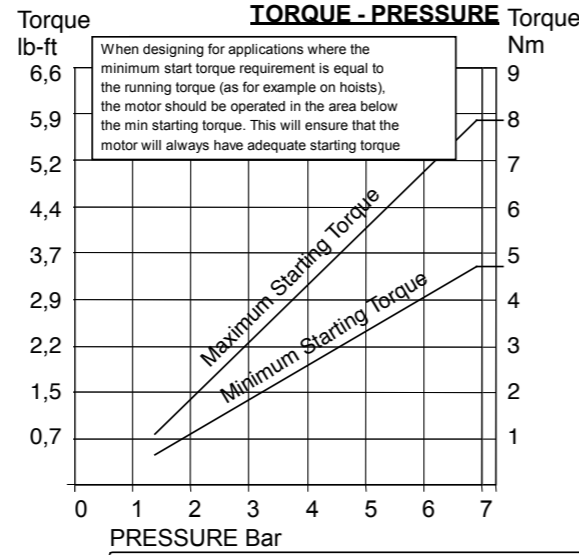
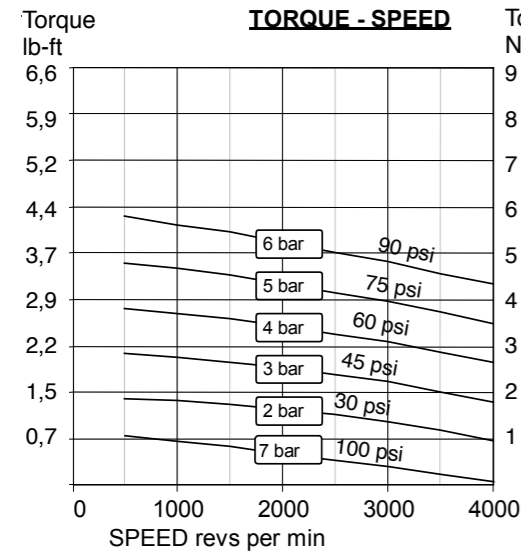
Motor with Brake with Hand Control, including valve and piping to control brake (not displayed).



Motor with Brake with Remote Control, including valve and piping to control brake (not displayed).

	A	B	C	D	E	F	G	H	J	K
VS4BN71H2 VS4BN71R2	160 (6.29")	110 (4.33")	14 (0.55")	20 (0.78")	30 (1.18")	3.5 (0.13")	240 (9.45")	210 (8.26")	1/8	270 (10.62")
VS6BN90H2 VS6BN90R2	200 (7.87")	130 (5.12")	24 (0.94")	30 (1.18")	50 (1.96")	3.5 (0.13")	347 (13.66")	297 (11.69")	1/8	270 (10.62")
VS8BN90H3 VS8BN90R3	200 (7.87")	130 (5.12")	24 (0.94")	30 (1.18")	50 (1.96")	3.5 (0.13")	350 (13.78")	300 (11.81")	1/8	365 (14.37")
VS10BN100H4 VS10BN100R4	250 (7.87")	180 (7.08")	28 (1.10")	50 (1.96")	60 (2.36")	4 (0.16")	459 (18.07")	399 (15.71")	1/8	365 (14.37")

	L	M	N	O Ø	P	Q	R
VS4BN71H2 VS4BN71R2	118 (4.64")	3/4	5 (0.19")	10 (0.39")	45°	110h7 (4.33")	3/4
VS6BN90H2 VS6BN90R2	118 (4.64")	3/4	8 (0.31")	12 (0.47")	45°	130h7 (5.12")	3/4
VS8BN90H3 VS8BN90R3	160 (6.29")	1	8 (0.31")	12 (0.47")	45°	130h7 (5.12")	1
VS10BN100H4 VS10BN100R4	160 (6.29")	1 1/4	10 (0.39")	14 (0.55")	45°	180h7 (7.08")	1 1/4



A pressure regulator should be used to control the air pressure to the motor, to limit the maximum output torque applied to the driven assembly.

Muffler supplied with motor.

Motor is reversible.

ATTITUDE

The motor can be operated in all positions.

Maximum temperature -20°C to +80°C (-4°F to +176°F).

Max. Overhung Force on motor shaft 170n (40 lbf.)

Axial loads should be kept to a minimum.

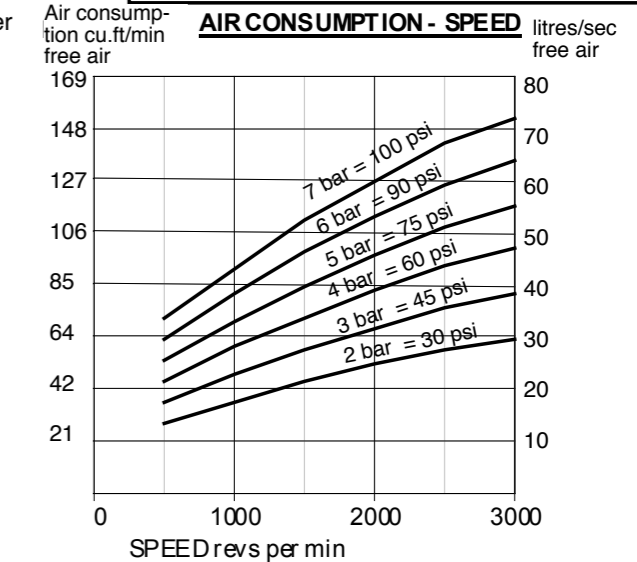
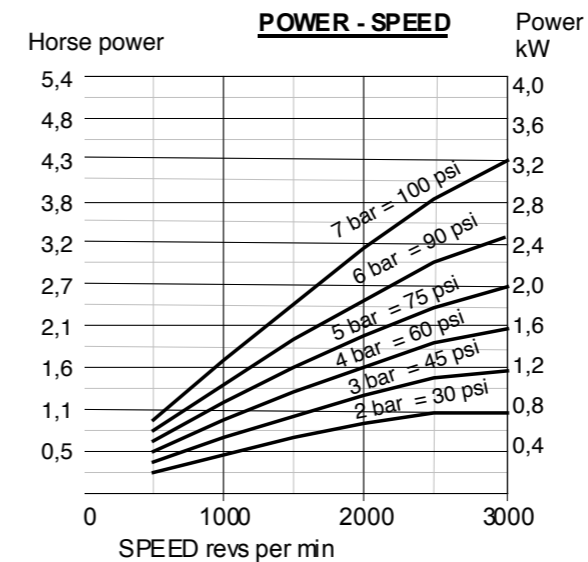
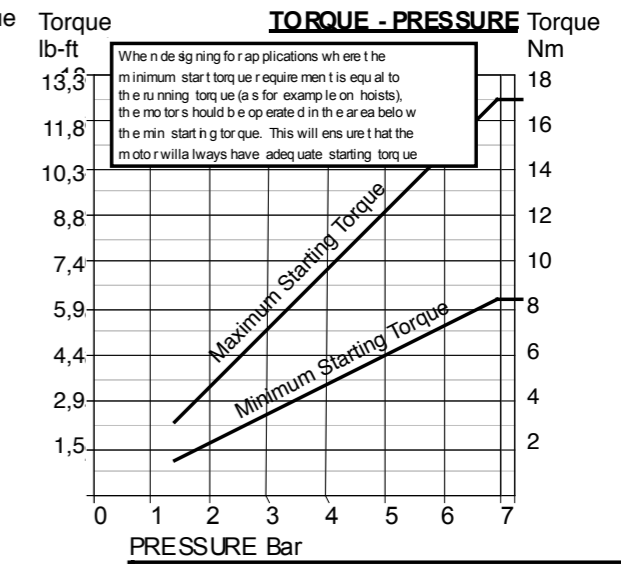
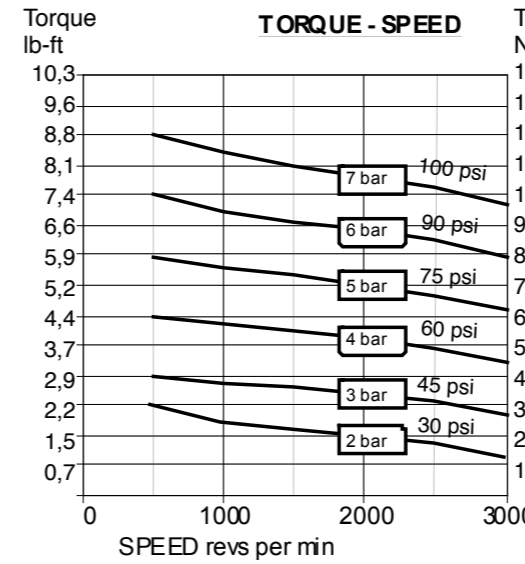
AIRLINE FILTRATION AND LUBRICATION

Use 64 micron filtration or better. Choose a lubricator suitable for the flow required. Prior to initial start-up, inject oil into the inlet port.

Lubricator drop rate 4-5 drops/minute continuous operation

Lubricator drop rate 9-12 drops/minute intermittent operation

MAXIMUM CONTINUOUS SPEED 4000 RPM



A pressure regulator should be used to control the air pressure to the motor, to limit the maximum output torque applied to the driven assembly.

Muffler supplied with motor.

Motor is reversible.

ATTITUDE

The motor can be operated in all positions.

Maximum temperature -20°C to +80°C (-4°F to +176°F).

Max. Overhung Force on motor shaft 300n (70 lbf.)

Axial loads should be kept to a minimum.

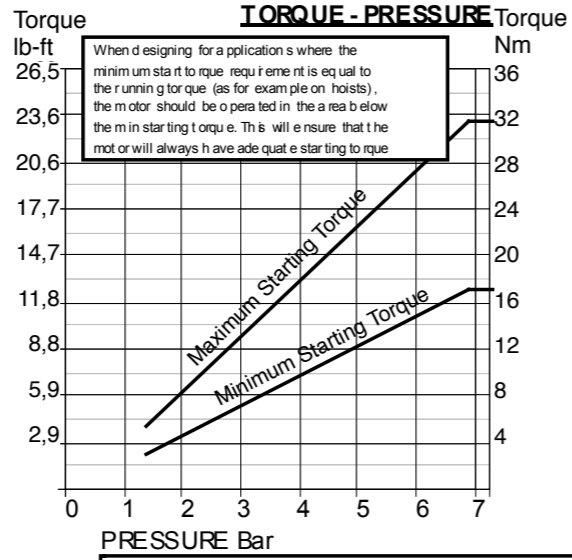
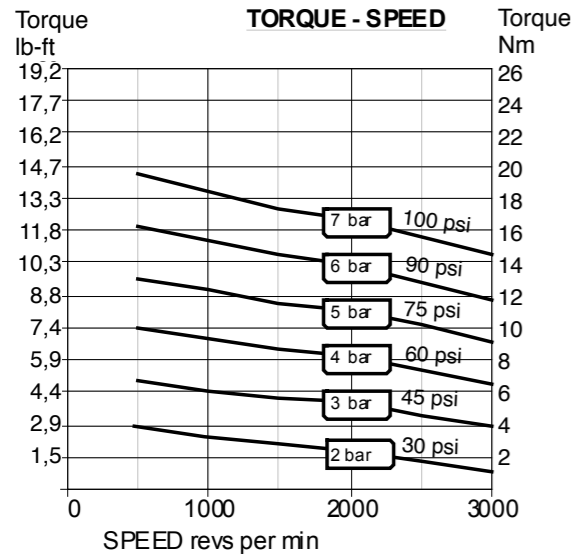
AIRLINE FILTRATION AND LUBRICATION

Use 64 micron filtration or better. Choose a lubricator suitable for the flow required. Prior to initial start-up, inject oil into the inlet port.

Lubricator drop rate 5-6 drops/minute continuous operation

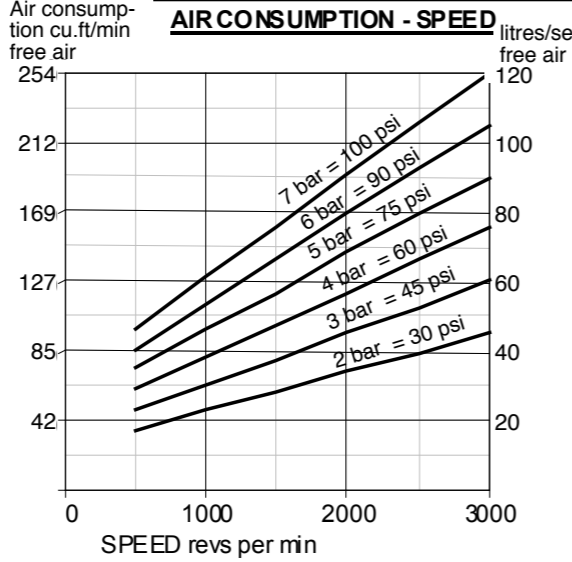
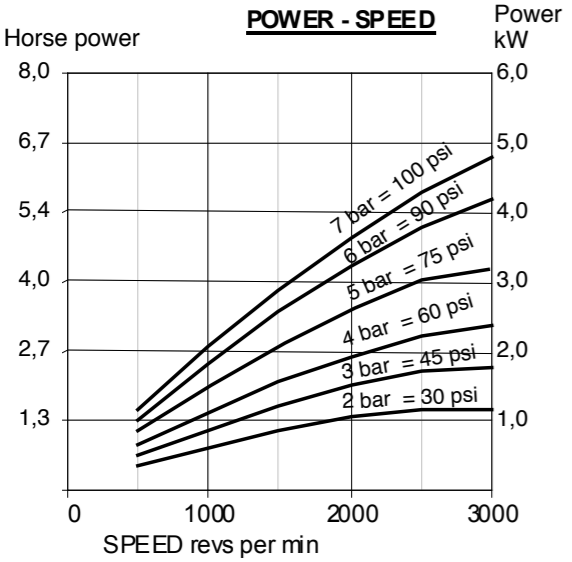
Lubricator drop rate 10-12 drops/minute intermittent operation

MAXIMUM CONTINUOUS SPEED 3000 RPM



When designing for applications where the minimum starting torque requirement is equal to the running torque (as for example on hoists), the motor should be operated in the area below the minimum starting torque. This will ensure that the motor will always have adequate starting torque.

A pressure regulator should be used to control the air pressure to the motor, to limit the maximum output torque applied to the driven assembly.



Muffler supplied with motor.

Motor is reversible.

ATTITUDE

The motor can be operated in all positions.

Maximum temperature -20°C to +80°C (-4°F to +176°F).

Max. Overhung Force on motor shaft 620n (140 lbf.)

Axial loads should be kept to a minimum.

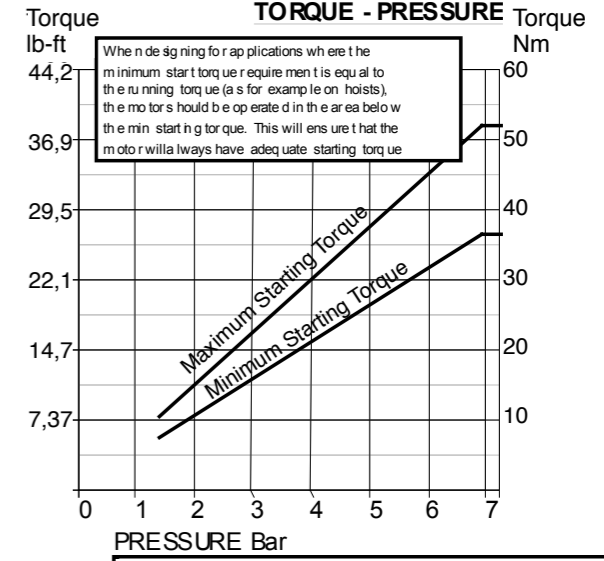
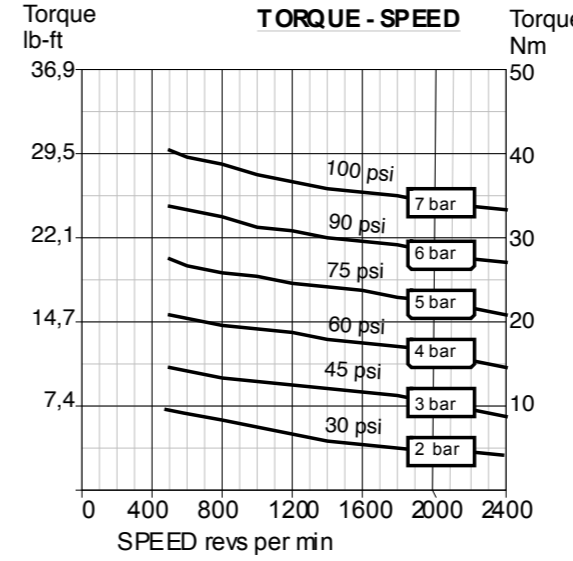
AIRLINE FILTRATION AND LUBRICATION

Use 64 micron filtration or better. Choose a lubricator suitable for the flow required. Prior to initial start-up, inject oil into the inlet port.

Lubricator drop rate 6-7 drops/minute continuous operation

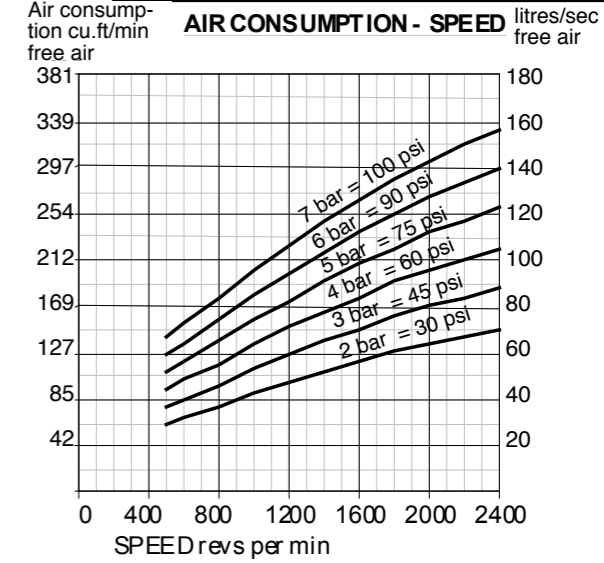
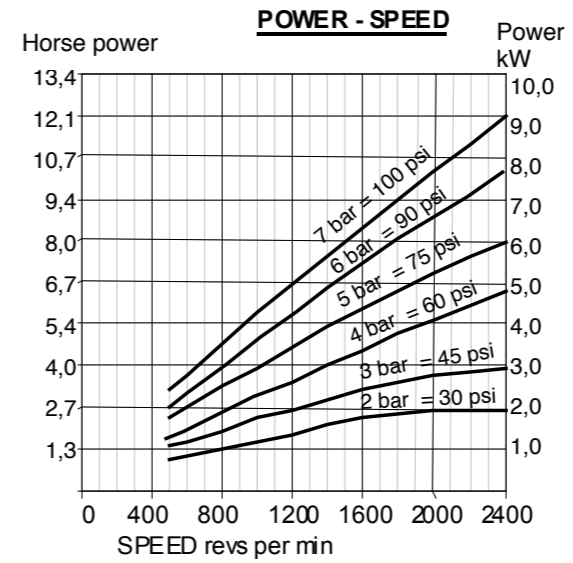
Lubricator drop rate 12-15 drops/minute intermittent operation

MAXIMUM CONTINUOUS SPEED 3000 RPM



When designing for applications where the minimum starting torque requirement is equal to the running torque (as for example on hoists), the motor should be operated in the area below the minimum starting torque. This will ensure that the motor will always have adequate starting torque.

A pressure regulator should be used to control the air pressure to the motor, to limit the maximum output torque applied to the driven assembly.



Muffler supplied with motor.

Motor is reversible.

ATTITUDE

The motor can be operated in all positions.

Maximum temperature -20°C to +80°C (-4°F to +176°F).

Max. Overhung Force on motor shaft 1750n (400 lbf.)

Axial loads should be kept to a minimum.

AIRLINE FILTRATION AND LUBRICATION

Use 64 micron filtration or better. Choose a lubricator suitable for the flow required. Prior to initial start-up, inject oil into the inlet port.

Lubricator drop rate 8-10 drops/minute continuous operation

Lubricator drop rate 14-16 drops/minute intermittent operation

MAXIMUM CONTINUOUS SPEED 2400 RPM



COMPACT VANE AIR MOTORS

ADVANTAGES

GLOBE-ARCHIMEDES compact vane air motors are motors with incorporated reduction units. They offer a unique form of drive with advantages including:

- Simple and inexpensive variable speed and torque control with a flow control valve and/or pressure regulator.
- Intrinsically safe for explosion proof environments. All GLOBE-ARCHIMEDES compact vane air motors are certified according to the European Explosion Directive ATEX II cat. 2 G&D T5.
- Stalling under load. Air motors will not overheat or burn out.
- Instantly reversible, operated with a simple control valve.
- Control over a wide speed range.
- Resistant to warm, dirty and damp conditions.
- Cool running caused by the expanding air.
- High reliability thanks to the low number of moving parts.
- Compact and light weight compared to equivalent electric motors.
- No shock start up which improves the life span of your equipment.
- Available in stainless steel

WHY CHOOSE A GLOBE-ARCHIMEDES COMPACT VANE AIR MOTOR

- Stainless steel models available for use in aggressive environments and foodstuffs industry.
- Mounting via flange, threads on the front or on the motor housing.
- High torques and low speeds of rotation possible in application with limited mounting space.
- Small size for hand held machinery.
- Motors can be supplied directly coupled to a wide range of gearboxes for higher torques.

AIR SUPPLY

AIR QUALITY

To insure optimal working conditions for the GLOBE ARCHIMEDES compact vane air motors, the air supply must be dry, filtered and lubricated. A 5 micron filter is recommended. The air motors should be lubricated sufficiently.

AIR LINE RESTRICTIONS

Air line restrictions on the inlet side of the motor will result in performance loss. Therefore it is important to make sure that the desired air pressure is available at the motor during operation. The pressure reading at the compressor or pressure regulator may be different then the pressure available at the motor.

Performance loss can also occur by an exhaust restriction generating back pressure on the outlet side of the motor. An insufficiently sized silencer, valve or coupling is usually the cause.



ORDERING CODES

Motor type	Starting Torque
01	0,27 kW / 0,36 hp 0,4 NM / 0,3 lb-ft
02	0,27 kW / 0,36 hp 2 NM / 1,5 lb-ft
12	0,27 kW / 0,36 hp 12 NM / 8,8 lb-ft
02R	0,24 kW / 0,32 hp 2 NM / 1,5 lb-ft
05R	0,24 kW / 0,32 hp 5 NM / 3,7 lb-ft
10R	0,24 kW / 0,32 hp 10 NM / 7,4 lb-ft

* R = Reversible

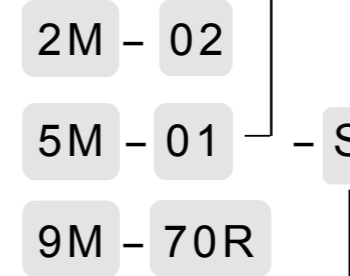
Motor type	Starting Torque
01	0,67 kW / 0,90 hp 1,5 NM / 1,1 lb-ft
43	0,67 kW / 0,90 hp 43 NM / 31,7 lb-ft
05R	0,61 kW / 0,82 hp 5 NM / 3,7 lb-ft
34R	0,61 kW / 0,82 hp 34 NM / 25,1 lb-ft

* R = Reversible

Motor type	Starting Torque
70R	1,0 kW / 1,34 hp 70 NM / 51,6 lb-ft

*R = Reversible

Motor type
Stainless steel

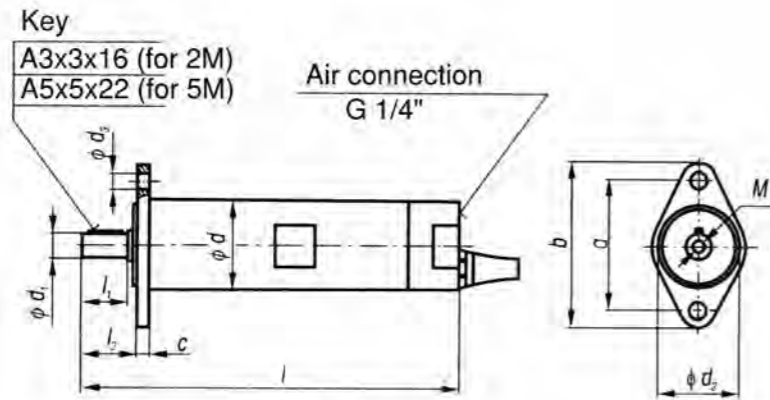


Use the ordering codes to create the GLOBE Archimedes Vane Air motor you want.

For example: 5M43 or 2M05RS.

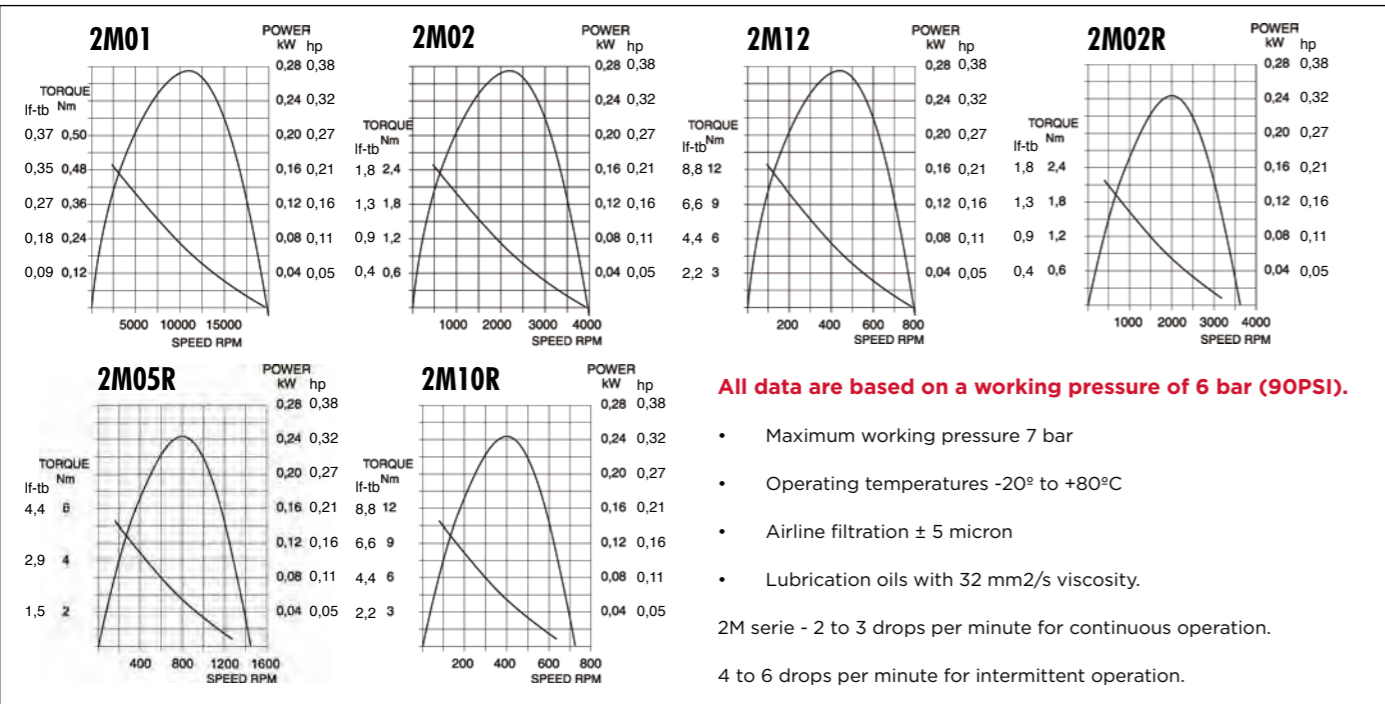
DIMENSIONS 2M

Type	a	b	c	l	l1	l2	M	d	d1	d2	d3
2M01	52 (2.05")	64 (2.52")	5 (0.20")	160 (6.30")	20 (0.79")	25 (0.98")	M4	40h9 (1.57")	10h6 (0.39")	36h9 (1.42")	6.5 (0.26")
2M02				160 (6.30")							
2M12				190 (7.48")							
2M02R				160 (6.30")							
2M05R				190 (7.48")							
2M10R				190 (7.48")							



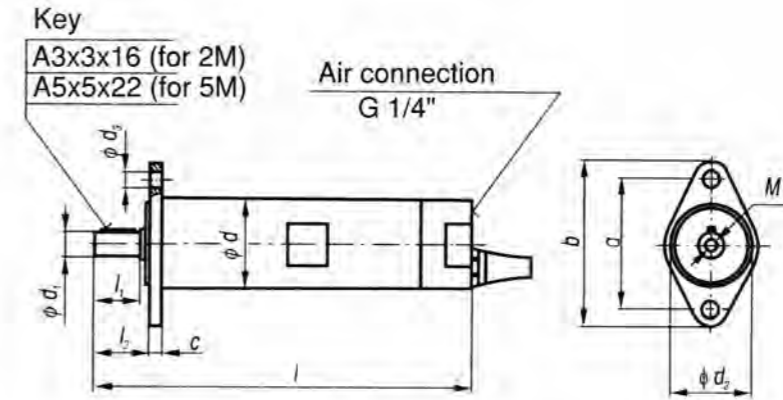
PERFORMANCES 2M

TYPE	POWER KW (HP)	MAX FREE SPEED	NOMINAL SPEED RPM	NOMINAL TORQUE NM (lb-ft)	MIN STARTING TORQUE Nm (lb-ft)	ROTATION	AIR CONSUMPTION (M3/min)	GEAR RATIO	WEIGHT Kg (lb)
2M01	0.27 (0.36)	19.000	11.000	0,18 (0,13)	0.4 (0.29)	Counter Clockwise	0,5	1	0.9 (1.9)
2M02		3700	2200	0,9 (0,66)	2 (1.47)			5	0.9 (1.9)
2M12		710	450	4,5 (3,31)	12 (8.84)			25	1.1 (2.4)
2M02R	0.24 (0.32)	3100	2000	0,8 (0,58)	2 (1.47)	Reversible	0,6	5	0.9 (1.9)
2M05R		1600	800	2,6 (1,91)	5 (3.69)			12	1.1 (2.4)
2M10R		600	400	4 (2,94)	10 (7.37)			25	1.1 (2.4)



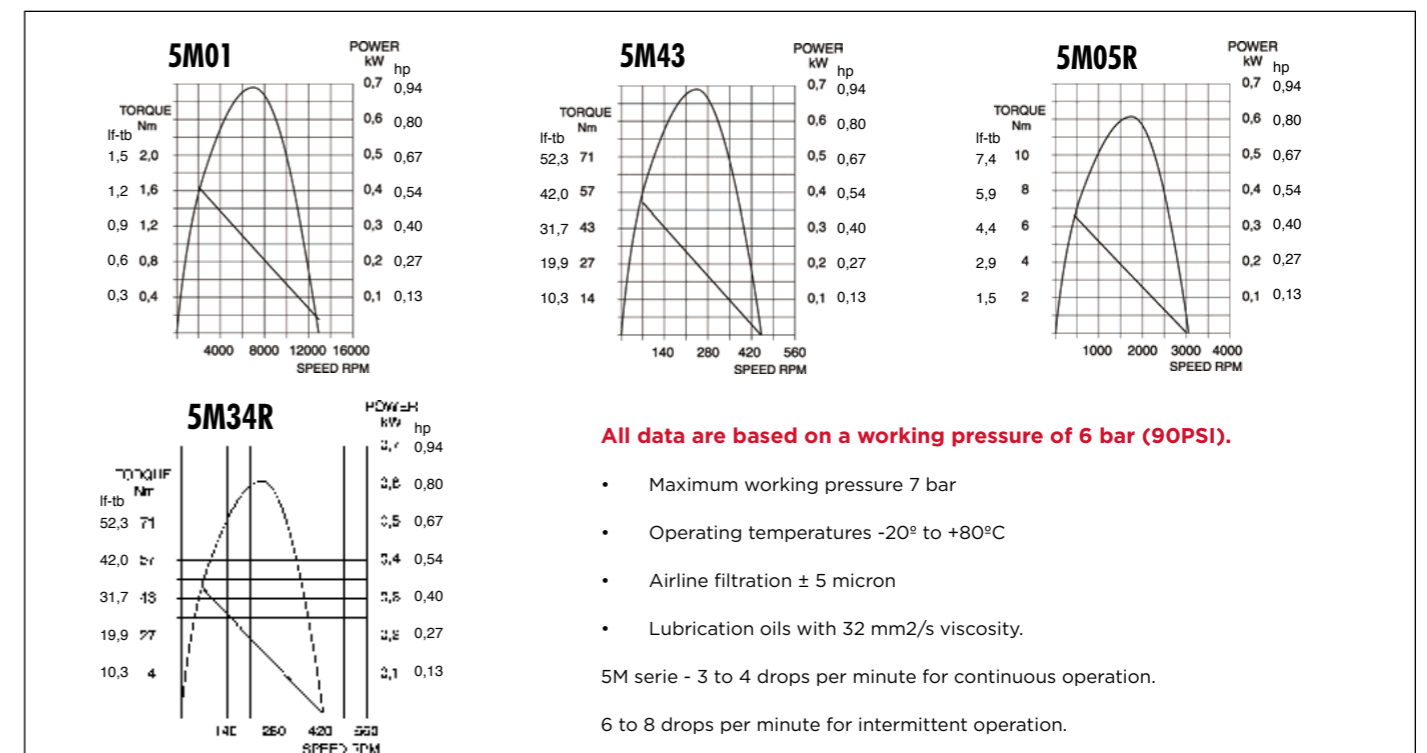
DIMENSIONS 5M

Type	a	b	c	l	l1	l2	M	d	d1	d2	d3
5M01	75 (2.95")	95 (3.74")	6 (0.24")	185 (7.28")	30 (1.18")	35 (1.38")	M6	55h9 (2.17")	14h6 (0.55)	52h9 (2.05")	11 (0.43")
5M43				230 (9.06")							
5M05R				185 (7.28")							
5M34R				230 (9.06")							



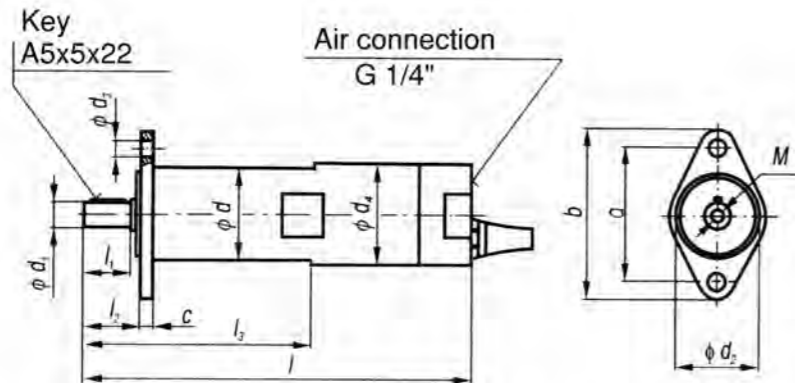
PERFORMANCES 5M

TYPE	POWER KW (HP)	MAX FREE SPEED	NOMINAL SPEED RPM	NOMINAL TORQUE NM (lb-ft)	MIN STARTING TORQUE Nm (lb-ft)	ROTATION	AIR CONSUMPTION (M3/min)	GEAR RATIO	WEIGHT Kg (lb)
5M01	0.67 (0.90)	14.000	7000	0,9 (0,66)	1.5 (1.1)	Counter Clockwise	0,8	1	2.0 (4.4)
5M43		450	250	27 (19,89)	43 (31.7)			36	2.4 (5.3)
5M05R	0.61 (0.82)	3000	1750	3 (2,21)	5 (3.7)	Reversible	0,83	5	2.0 (4.4)
5M34R		420	250	20,5 (15,10)	34 (25.1)			36	2.4 (5.3)



DIMENSIONS 9M

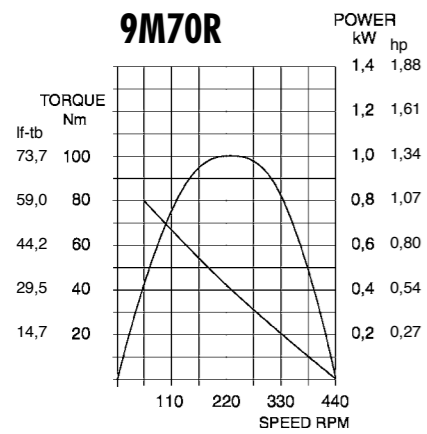
Type	a	b	c	l	l1	l2	l3	M	d	d1	d2	d3	d4
9M70R	75 (2.95")	95 (3.74")	6 (0.24")	270 (10.63")	30 (1.18")	35 (1.38")	110 (4.33")	M4	55h9 (2.17")	16h9 (0.63")	52h9 (2.05")	11 (0.43")	62 (2.44")



PERFORMANCES 9M

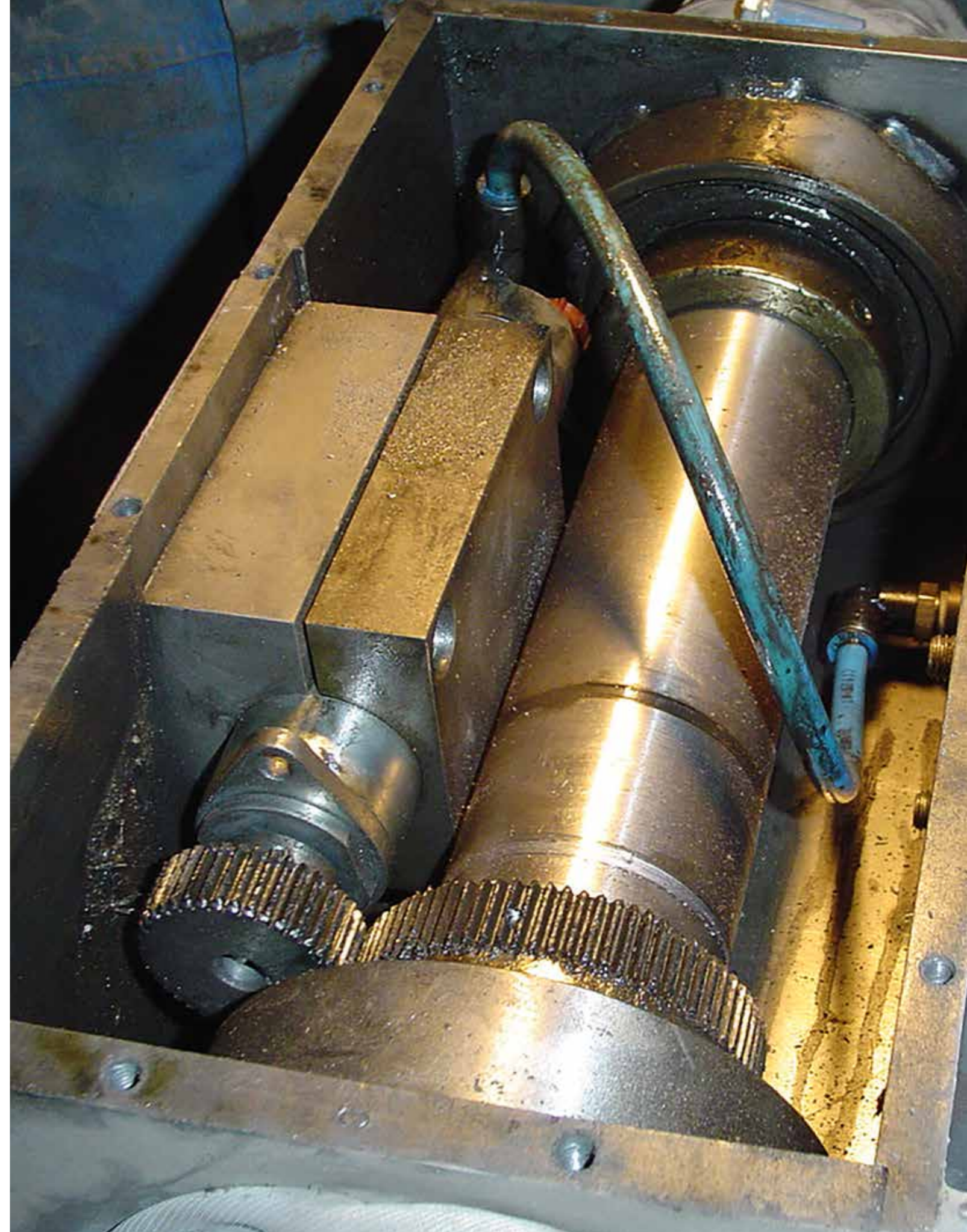
TYPE	POWER KW (HP)	MAX FREE SPEE	NOMINAL SPEED RPM	NOMINAL TORQUE NM (lb-ft)	MIN STARTING TORQUE Nm (lb-ft)	ROTATION	AIR CONSUMPTION (M3/min)	GEAR RATIO	WEIGHT Kg (lb)
9M70R	1.0 (1.34)	440	220	40 (29,48)	70 (51.6)	Reversible	1.36	36	3.3 (7.26)

9M70R

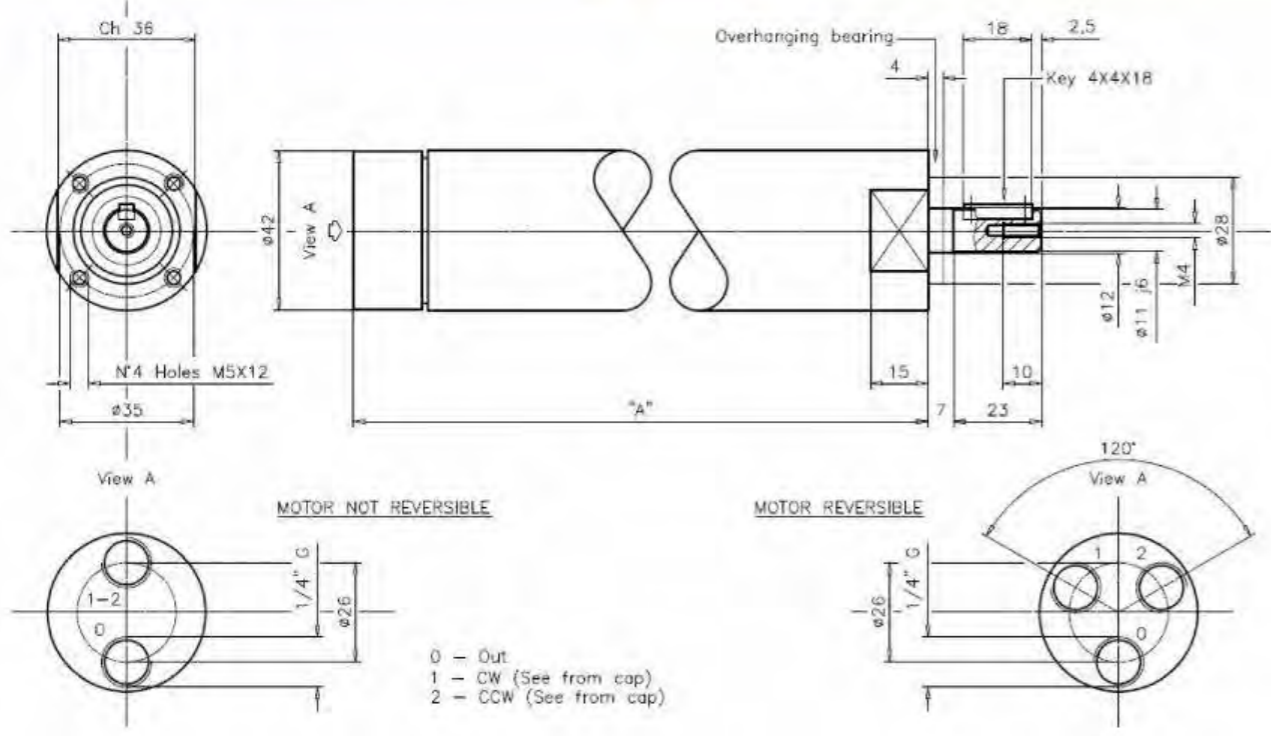


All data are based on a working pressure of 6 bar (90PSI).

- Maximum working pressure 7 bar
 - Operating temperatures -20° to +80°C
 - Airline filtration \pm 5 micron
 - Lubrication oils with 32 mm²/s viscosity.
- 2M serie - 2 to 3 drops per minute for continuous operation.
4 to 6 drops per minute for intermittent operation.



GLOBE COMPACT VANE MOTORS SERIES M53



PNEUMATIC GLOBE COMPACT VANE MOTORS M53 SERIES | HP 0,53 KW 0,38

ATTITUDE:

The motors of the M53 series are standard with case and end plate in AISI 303 stainless steel, and the possibility, upon request, of also supplying the shaft in AISI 303 stainless steel by adding "051" after the M53 code.

necessary. To achieve this, all motors may be assembled with a protruding bearing. To order the motor with this modification, add "019" after the code.

The M53 offers reversible and uni directional motors. Non reversible motors are furnished with standard counterclockwise rotation (counter clockwise facing the shaft). Non reversible motors are delivered with a standard CCW rotation (counter clock wise) while looked upon shaft. To order them with a CW rotation (clock wise) add "015" after the code. There is often the need to mount the motor to other equipment or simply to an interfacing flange, in this case safe alignment is

The single-stage, two-stage and three-stage models may also be internally equipped with a brake device that prevents the exit shaft to rotate when the motor is in static condition. To order the motor with this devise, add "102" after the code.

The entire line is in accordance to European Directive for products destined to be uses in potentially explosive atmospheres ATEX II cat.2 G&D T3.

All the models of the M53 series can be ordered in a no lube version by putting 'N' in front of the article code.

Model	Free speed r/min			Speed at max power r/min			Torque max. power Kgm			Starting torque NM			Torque NM			Quote "A" mm	Weight Kg.	N° Reduction gear		
	Reversible	Not Reversible		7 bar	5 bar	3 bar	7 bar	5 bar	3 bar	7 bar	5 bar	3 bar	7 bar	5 bar	3 bar					
M53R0	M53N0		15000	13400	11800	7500	6700	5900	0,5	0,3	0,1	0,6	0,4	0,2	0,9	0,6	0,3	118	0,9	0
M53R1A	M53N1A		3800	3400	3000	1900	1700	1500	1,9	1,4	0,7	2,9	1,8	1,0	3,9	2,8	1,4	118	0,9	1
M53R1B	M53N1B		2800	2550	2250	1400	1275	1125	2,6	1,9	0,9	3,9	2,8	1,3	5,2	3,8	1,8	118	0,9	1
M53R1C	M53N1C		2400	2180	1930	1200	1090	965	3,0	2,2	1,1	4,5	3,3	1,6	6,0	4,4	2,2	118	0,9	1
M53R1D	M53N1D		2100	1900	1690	1050	850	845	3,5	2,4	1,2	5,2	4,2	1,8	7,0	5,6	2,4	118	0,9	1
M53R2	M53N2		1200	1000	900	600	500	450	6,3	4,8	2,3	9,6	6,0	3,3	13	9,3	4,7	135	1,0	2
M53R2A	M53N2A		900	755	670	450	377	335	8,0	6,3	3,1	12	9,4	4,6	16	13	6,2	135	1,0	2
M53R2B	M53N2B		630	565	500	315	282	230	11	8,4	4,2	17	13	6,3	23	17	8,4	135	1,0	2
M53R2C	M53N2C		540	485	430	270	242	215	13	10	4,9	19	15	7,3	26	20	9,8	135	1,0	2
M53R2D	M53N2D		480	425	375	240	212	187	15	11	5,6	22	16	8,4	30	22	11	135	1,0	2
M53R3	M53N3		270	220	200	135	110	100	27	20	10	40	31	15	53	41	21	157	1,2	3
M53R3A	M53N3A		190	168	150	85	84	75	42	28	14	63	42	21	84	56	28	157	1,2	3
M53R3B	M53N3B		140	126	110	70	63	55	51	38	19	75	57	28	102	76	38	157	1,2	3
M53R3C	M53N3C		120	108	95	60	54	48	60	44	22	90	66	33	120	88	44	157	1,2	3
M53R3D	M53N3D		110	95	83	55	47	42	65	50	25	97	75	37	130	100	50	157	1,2	3
M53R4	M53N4		60	50	45	30	25	22	140	93	47	210	140	70	280	185	93	175	1,3	4
M53R4A	M53N4A		46	37	33	23	19	16	157	125	65	235	187	97	315	250	130	175	1,3	4
M53R4B	M53N4B		32	28	24	16	14	12	230	170	87	345	255	145	460	340	194	175	1,3	4
M53R4C	M53N4C		26	24	21	13	12	10	277	198	105	410	297	157	550	396	210	175	1,3	4
M53R4D	M53N4D		23	21	18	11	10	9	328	238	117	485	357	175	650	476	234	175	1,3	4

Air consum	a 6 bar 13,5 l/sec	a 5 bar 11,6 l/sec	a 4 bar 9,6 l/sec	a 3 bar 7,7 l/sec	a 2 bar 5,7 l/sec
------------	--------------------	--------------------	-------------------	-------------------	-------------------

ATTENTION
The M53 air motors cannot be used over 60Nm torque. The figures shown in the green colored area should be considered purely as an indication.

LUBRICATION: 2-3 gocce/1' continuous operation
4-6 gocce/1' intermittent operation
FILTRATION: Use 64 micron filtration or better
RADIAL LOAD: 2000 N max.
AXIAL LOAD: Not admitted
OPERATIVE TEMPERATURE: da -20°C a +80°C

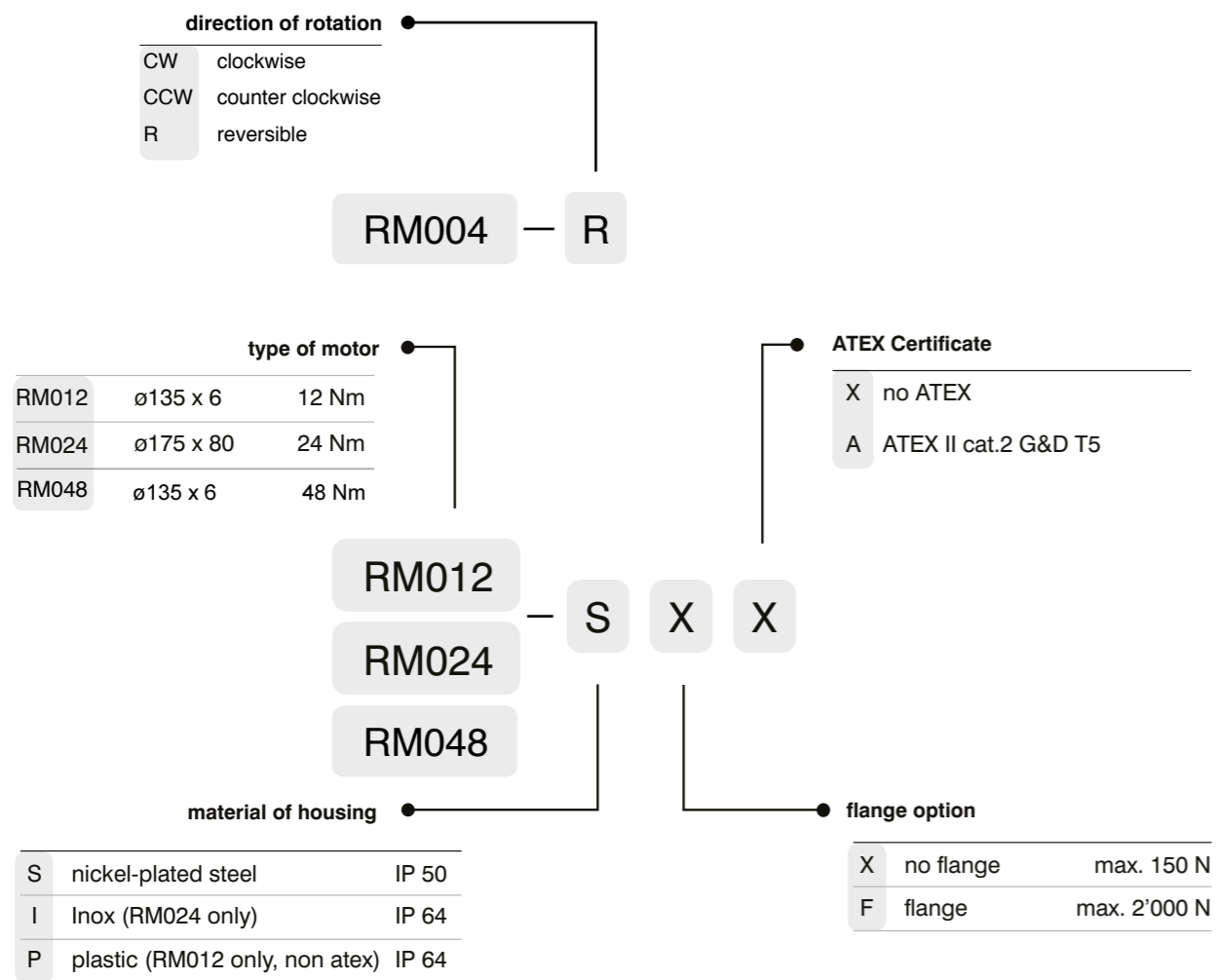
STAINLESS STEEL COMPACT VANE AIR MOTORS

Each type of the GLOBE-Archimedes compact vane air motors are also available in stainless steel models. The

stainless steel models have the same performances and dimensions as the standard versions.



ORDERING CODES COMPACT PISTON AIR MOTOR

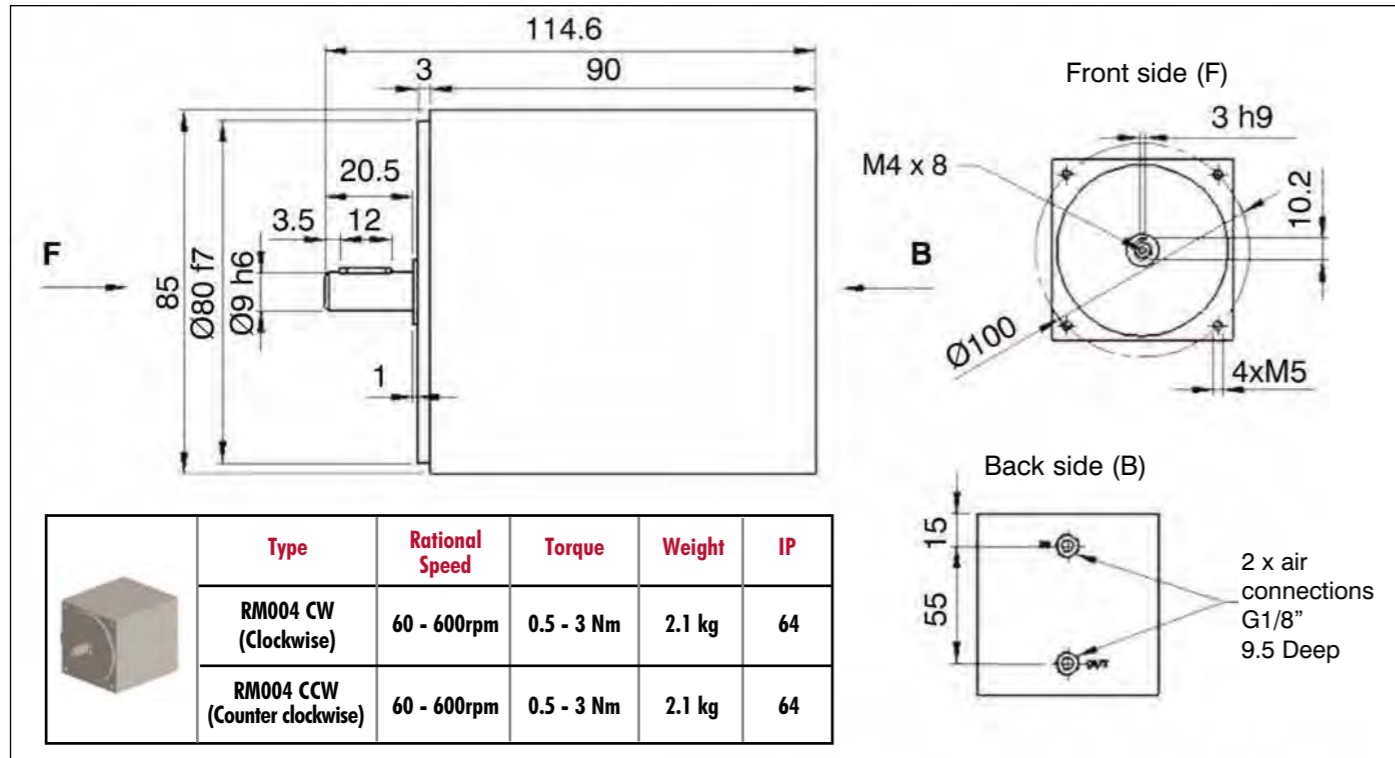


POSSIBLE TYPES

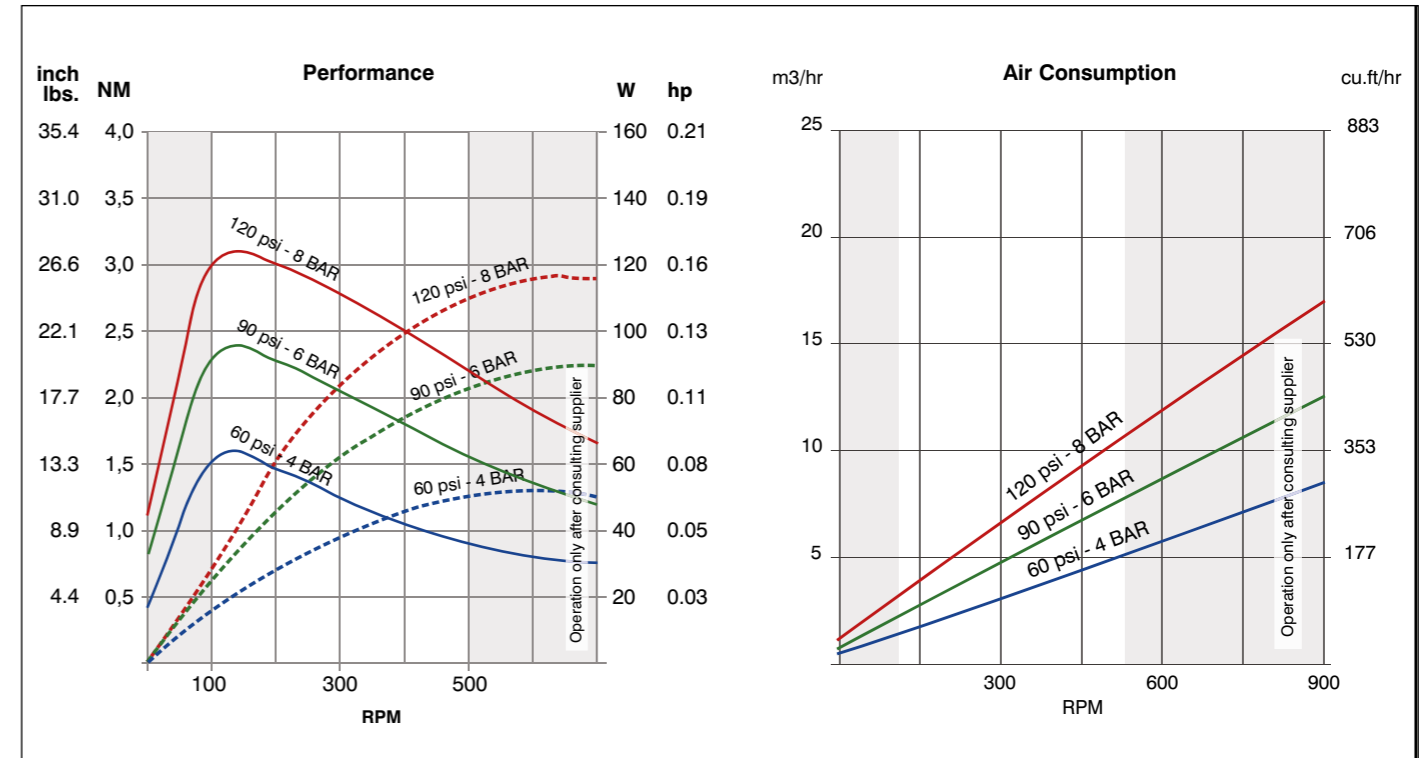
- RM004R / CW / CCW Steel housing
- RM012 / RM024 / RM048 -SXX Steel housing
- RM012 / RM024 / RM048 -SFX Steel housing and flange
- RM012 / RM024 / RM048 -SXA Steel housing ATEX
- RM012 / RM024 / RM048 -SFA Steel housing, flange, ATEX
- RM012 -PXX Plastic housing, water resistant, stainless shaft and covers
- RM012 -PFX Plastic housing, flange with extra bearing, water resistant, stainless shaft and covers
- RM024 / RM048 -IXX Inox housing, water resistant, stainless shaft and covers
- RM024 / RM048 -IFX Inox housing, flange, water resistant, stainless shaft and covers
- RM048 -IXA Stainless steel housing, water resistant, stainless shaft and covers, ATEX
- RM048 -IFA Stainless steel housing, water resistant, stainless shaft and covers, ATEX



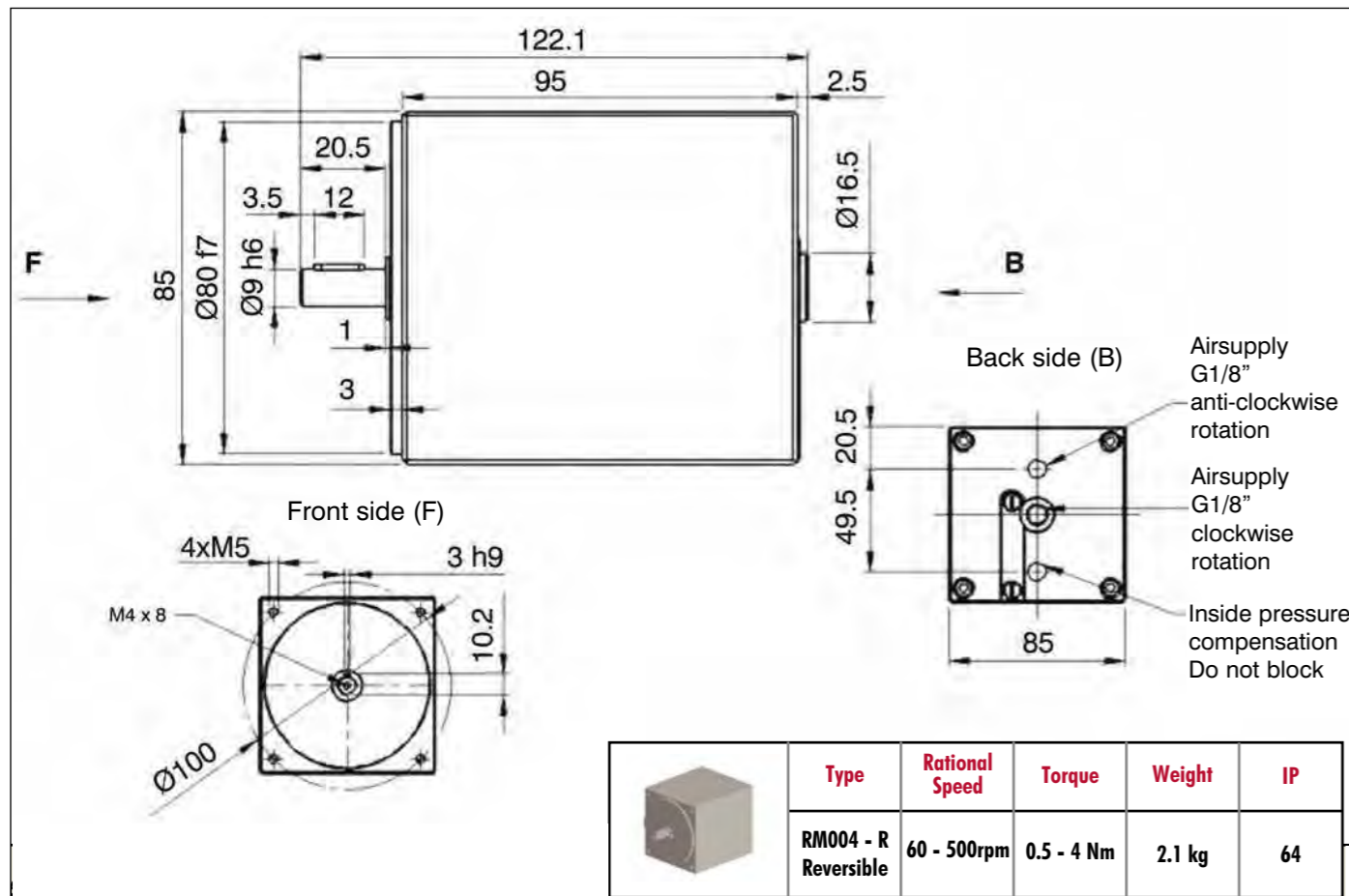
DIMENSIONS RM004 CW, CCW



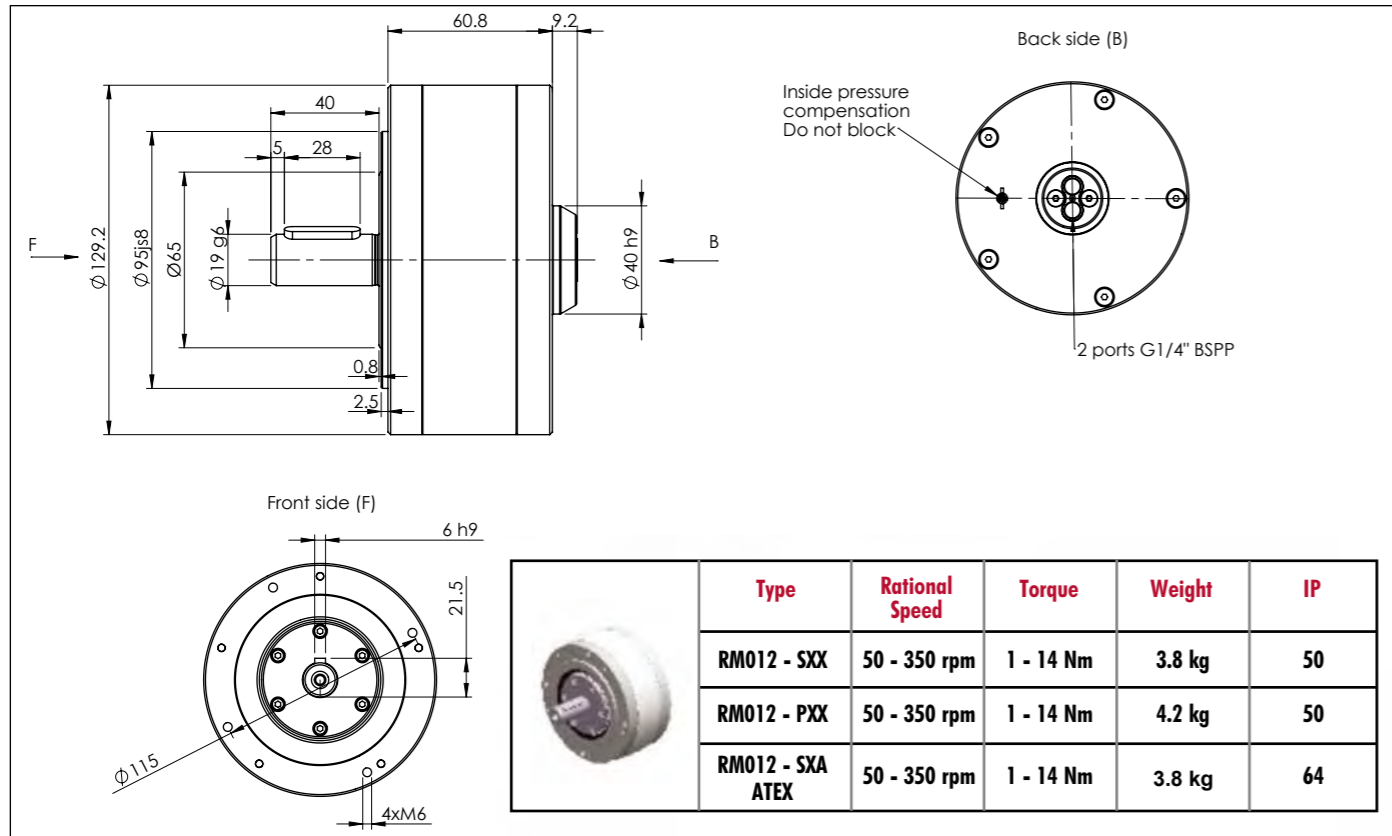
PERFORMANCE RM004



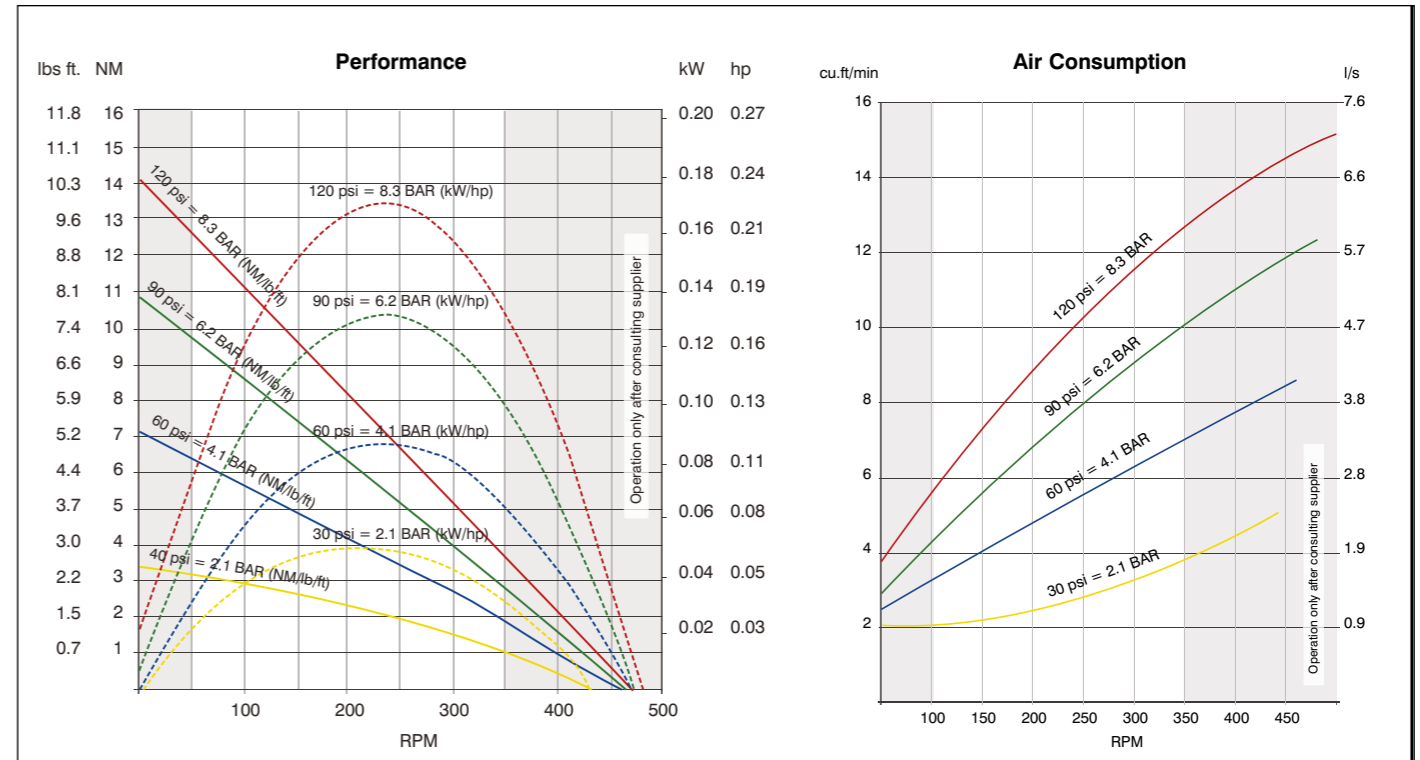
DIMENSIONS RM004 - R REVERSIBLE



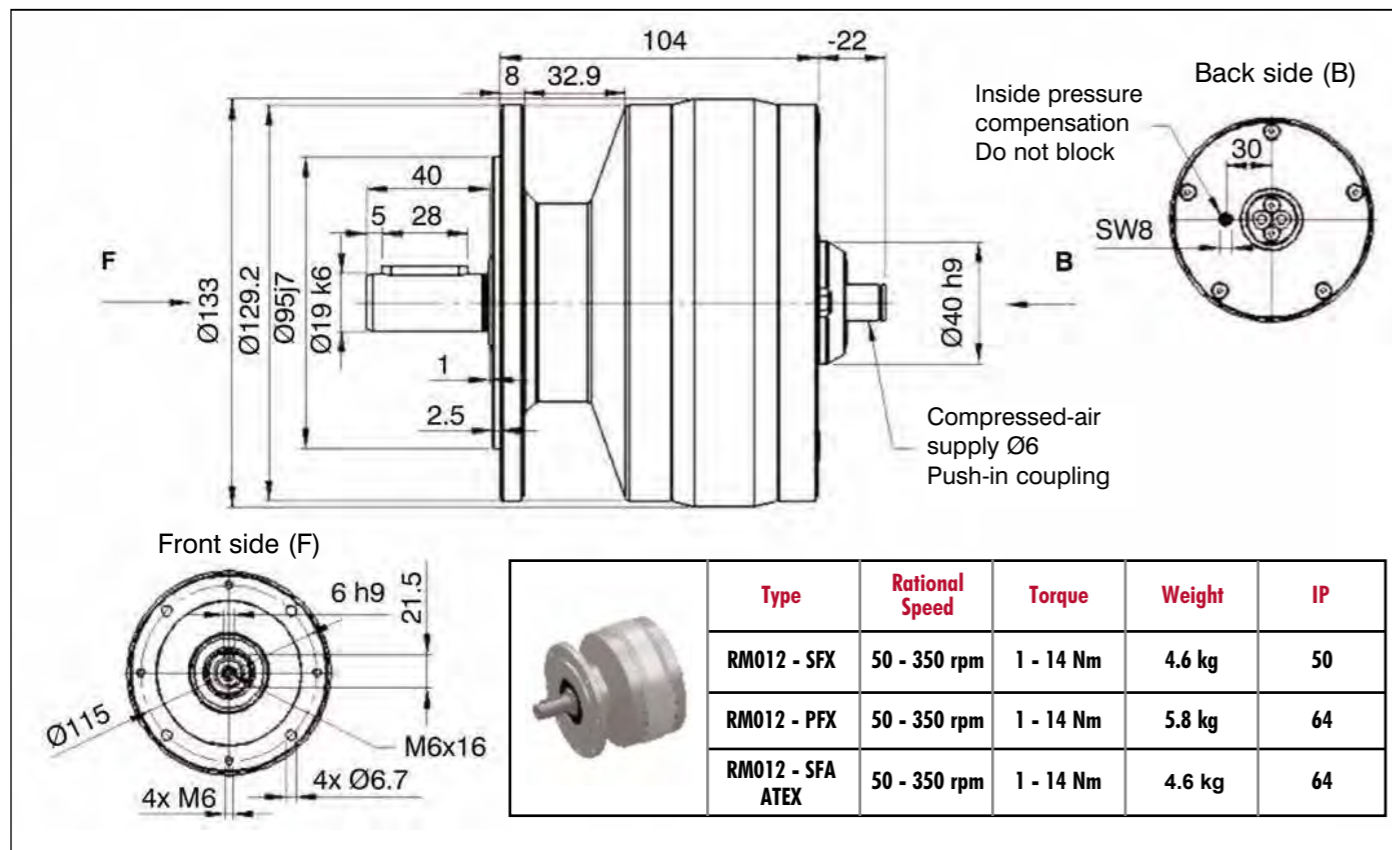
DIMENSIONS RM012 - SXX, PXX, SXA ATEX



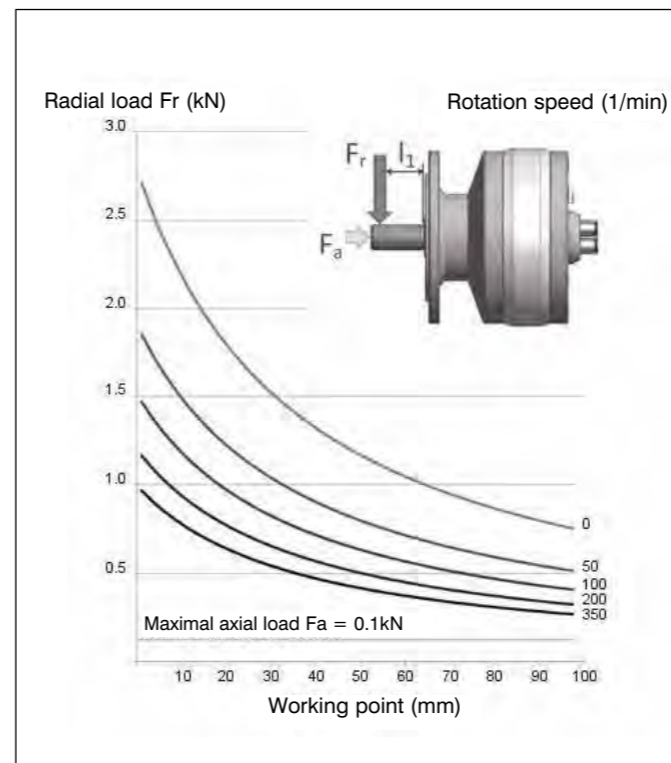
PERFORMANCE RM012



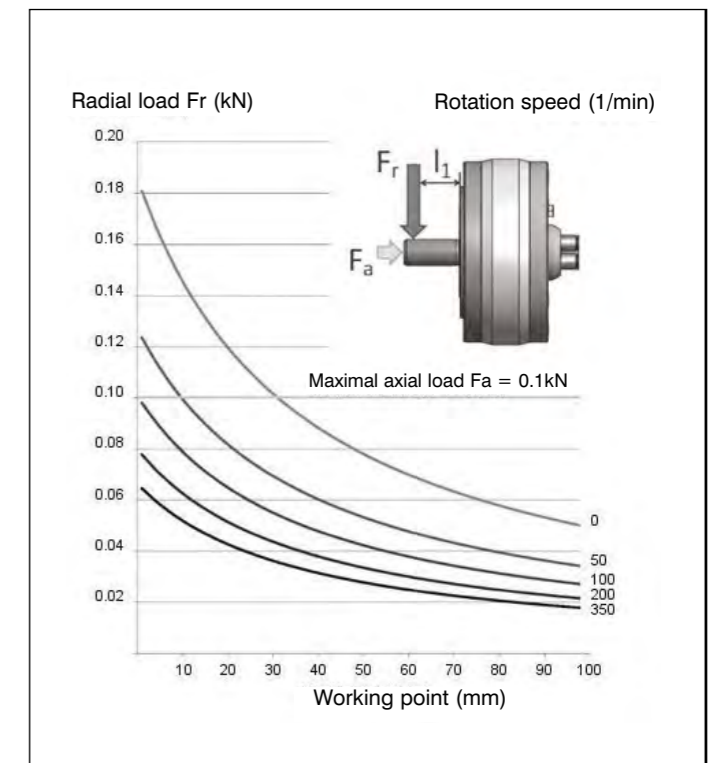
DIMENSIONS RM012 - SFX, PFX, SFA ATEX



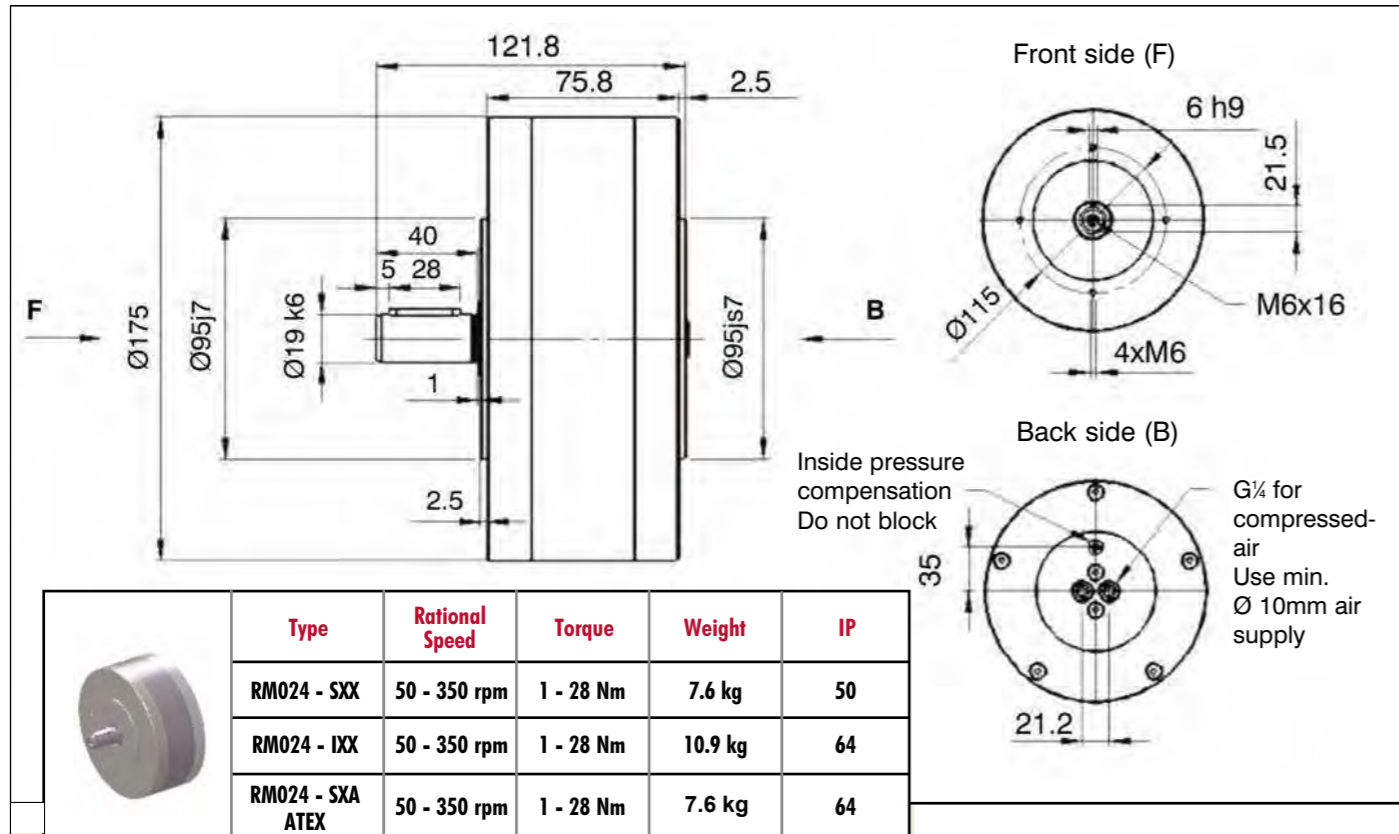
LOAD DIAGRAM FOR RM012 SFA, SFX, PFX



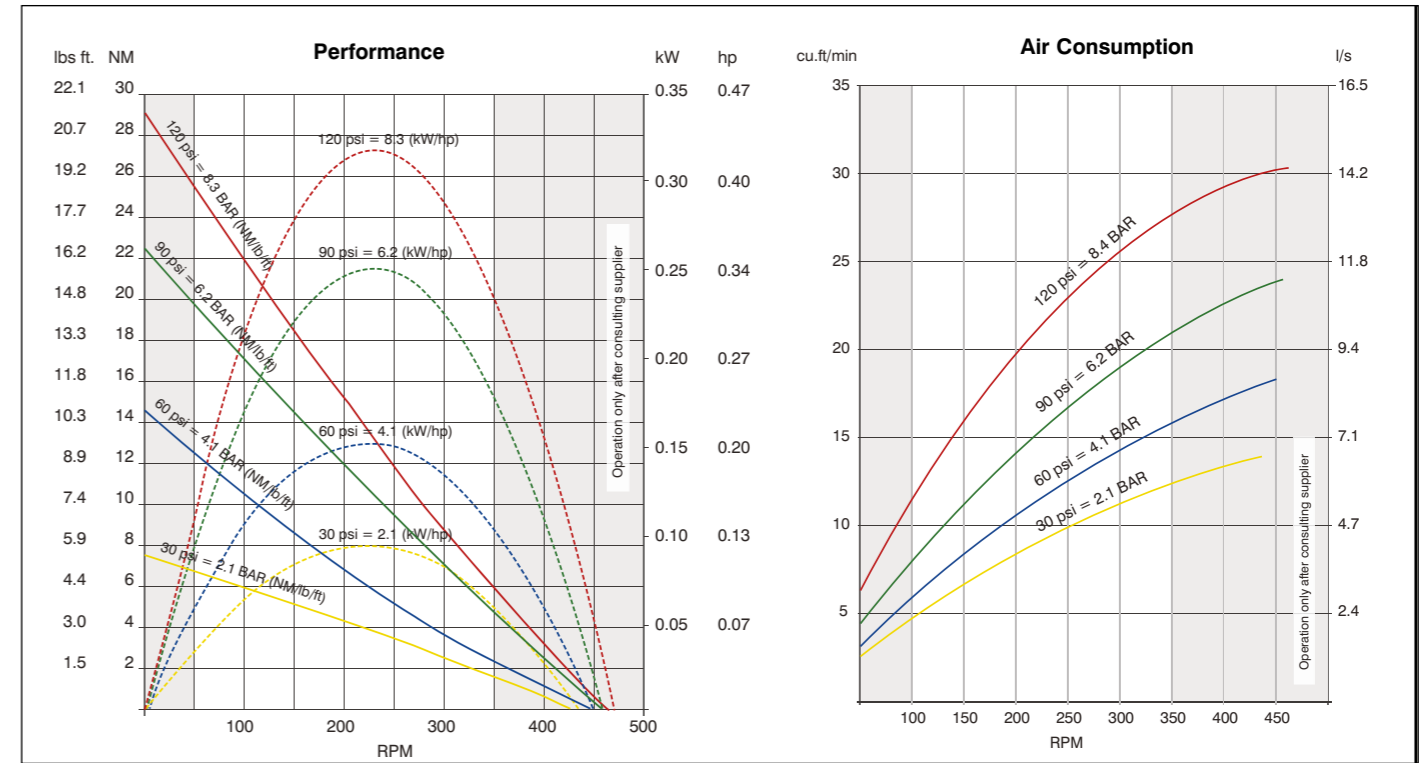
LOAD DIAGRAM FOR RM012 SXX, SXA, PXX



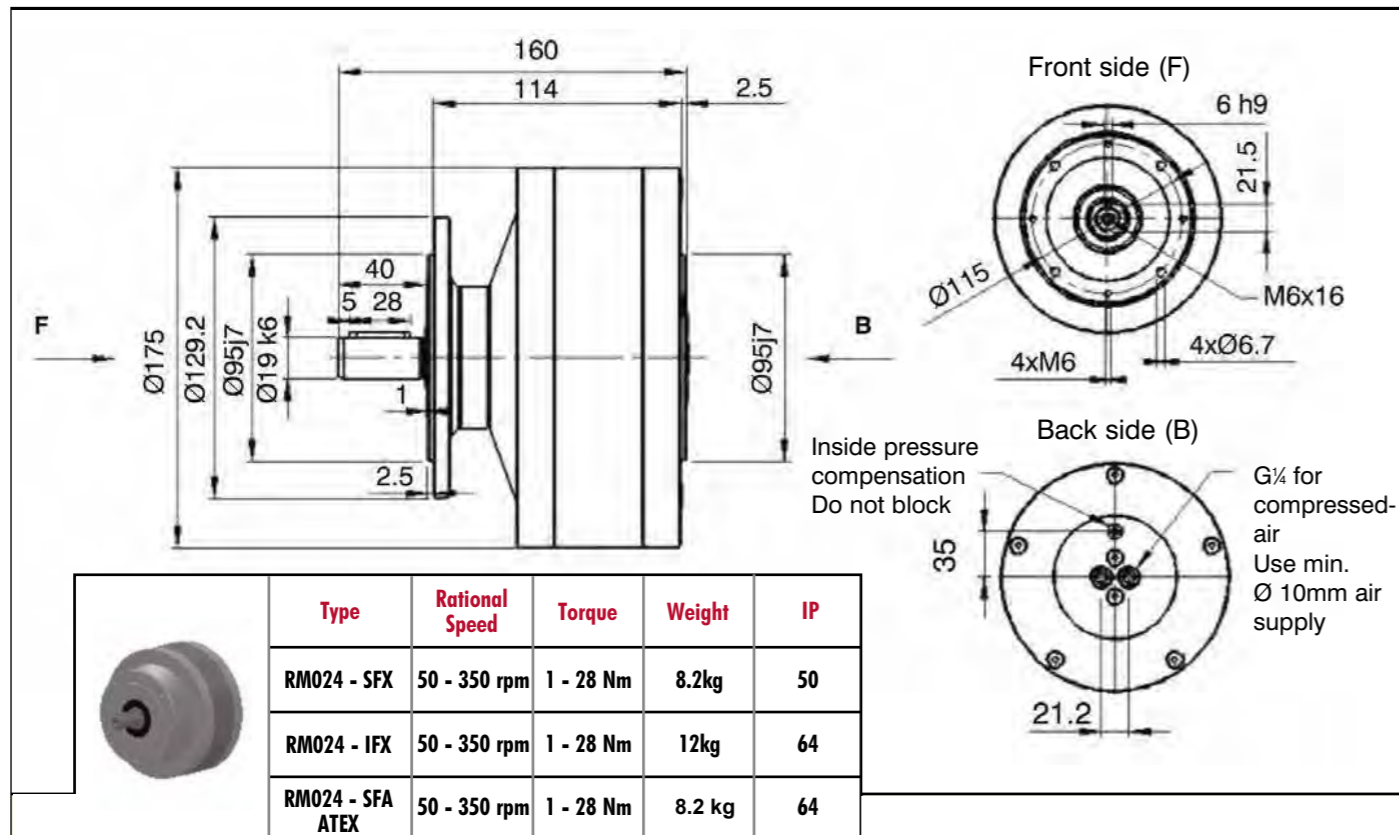
DIMENSIONS RM024 - SXX, IXX, SXA ATEX



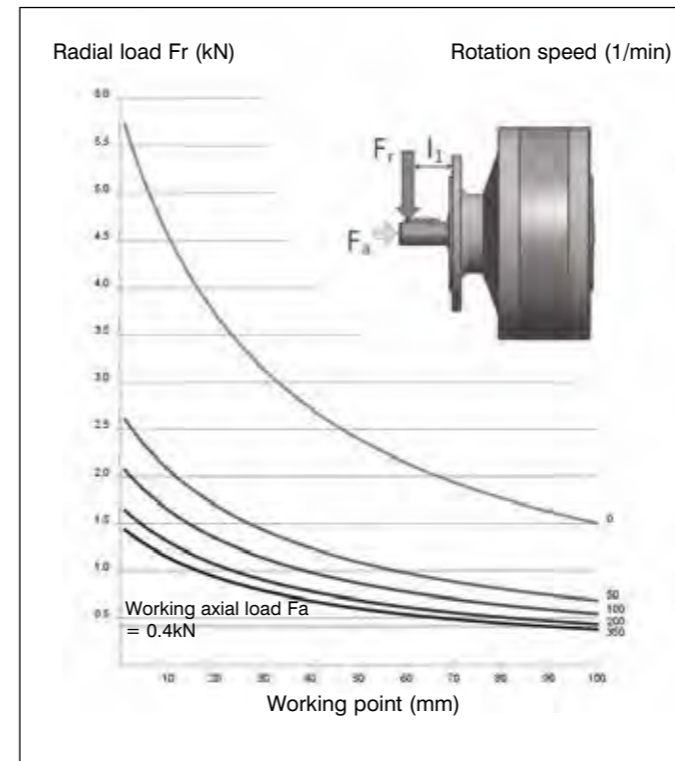
PERFORMANCE RM024



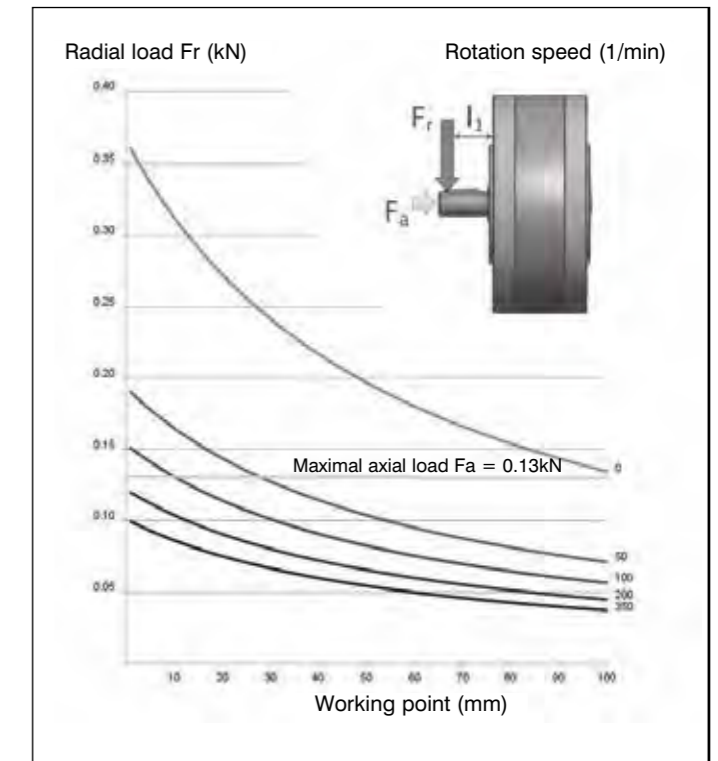
DIMENSIONS RM024 - SFX, IFX, SFA ATEX



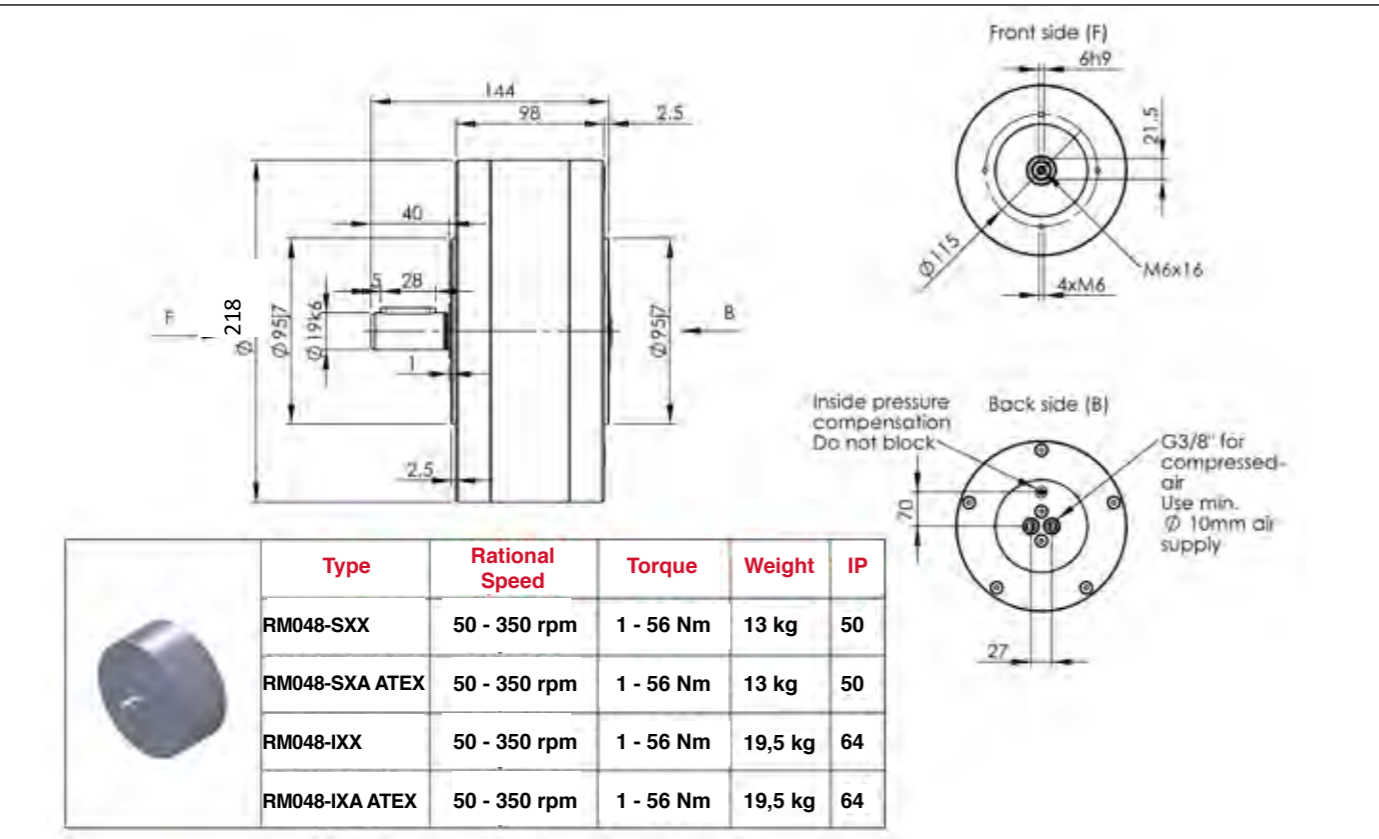
LOAD DIAGRAM FOR RM024 SFX, IFX, SFA



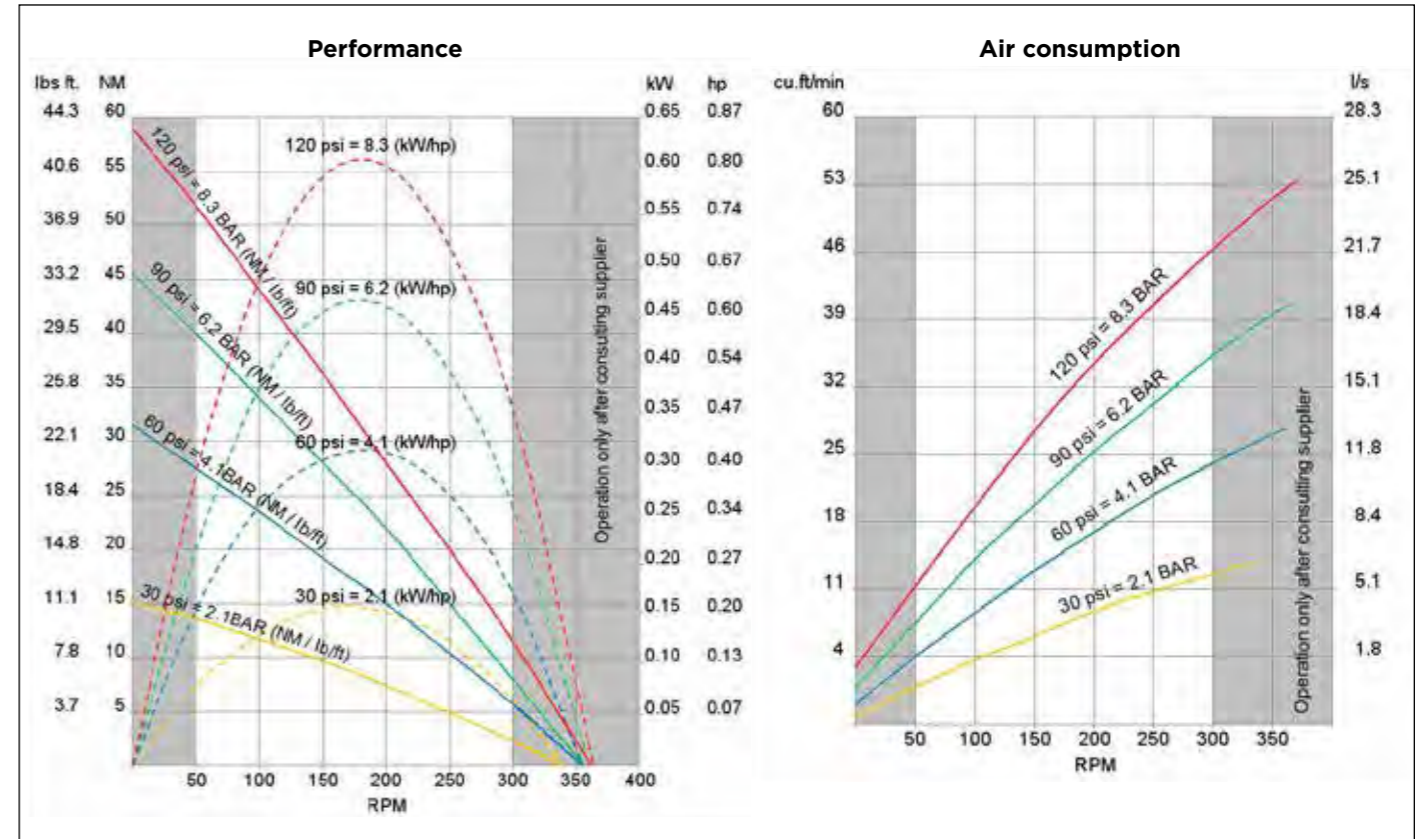
LOAD DIAGRAM FOR RM024 SXX, IXX, SXA



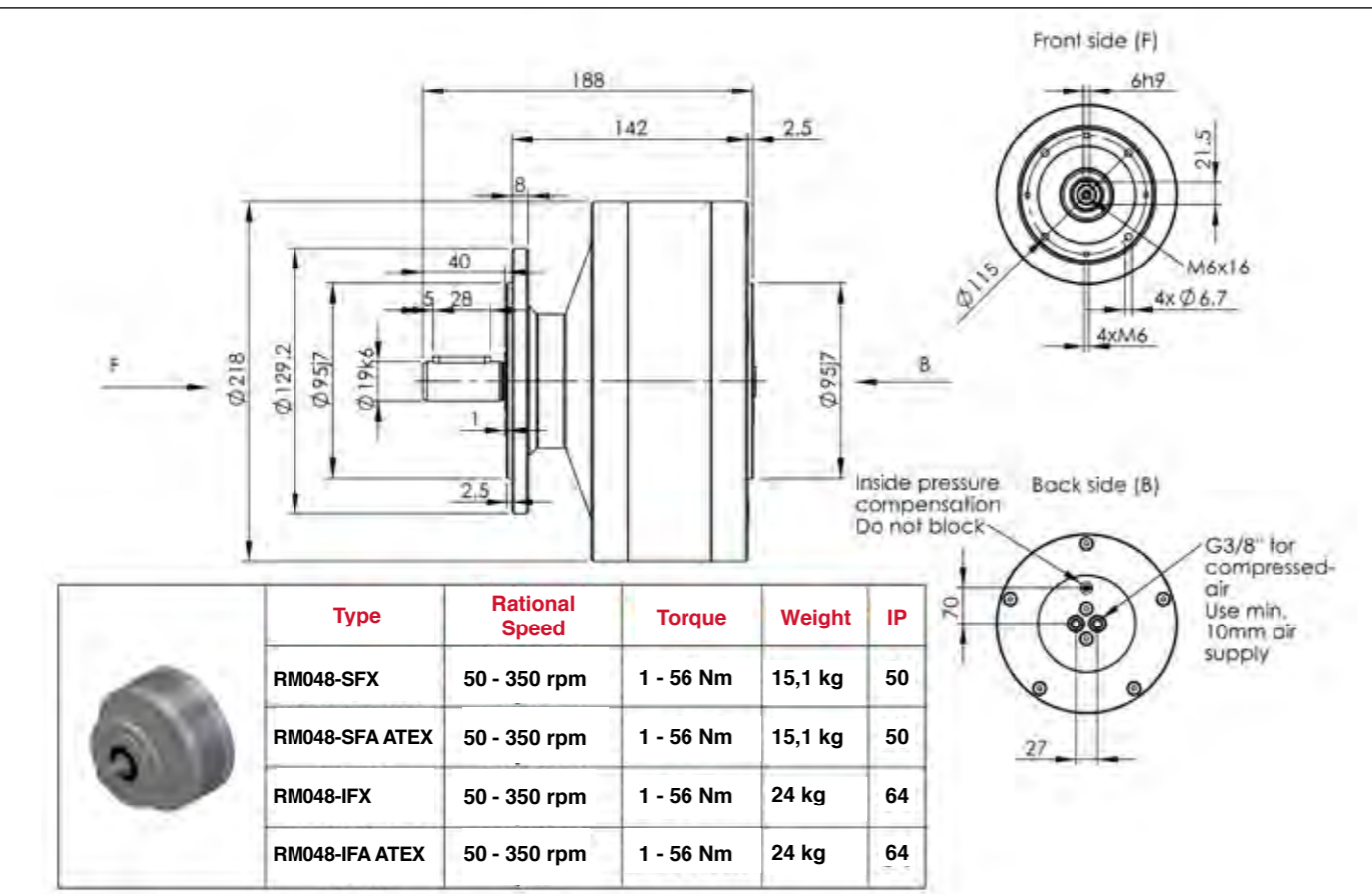
DIMENSIONS RM048 - SXX, SXA ATEX, IXX, IXA ATEX



PERFORMANCE RM048



DIMENSIONS RM048 - SFX, SFA ATEX, IFX, IFA ATEX



GLOBE Airmotors BV has a wide range of pneumatic brakes which can be mounted onto our compact piston

air motors. For more information contact your GLOBE Airmotor supplier.

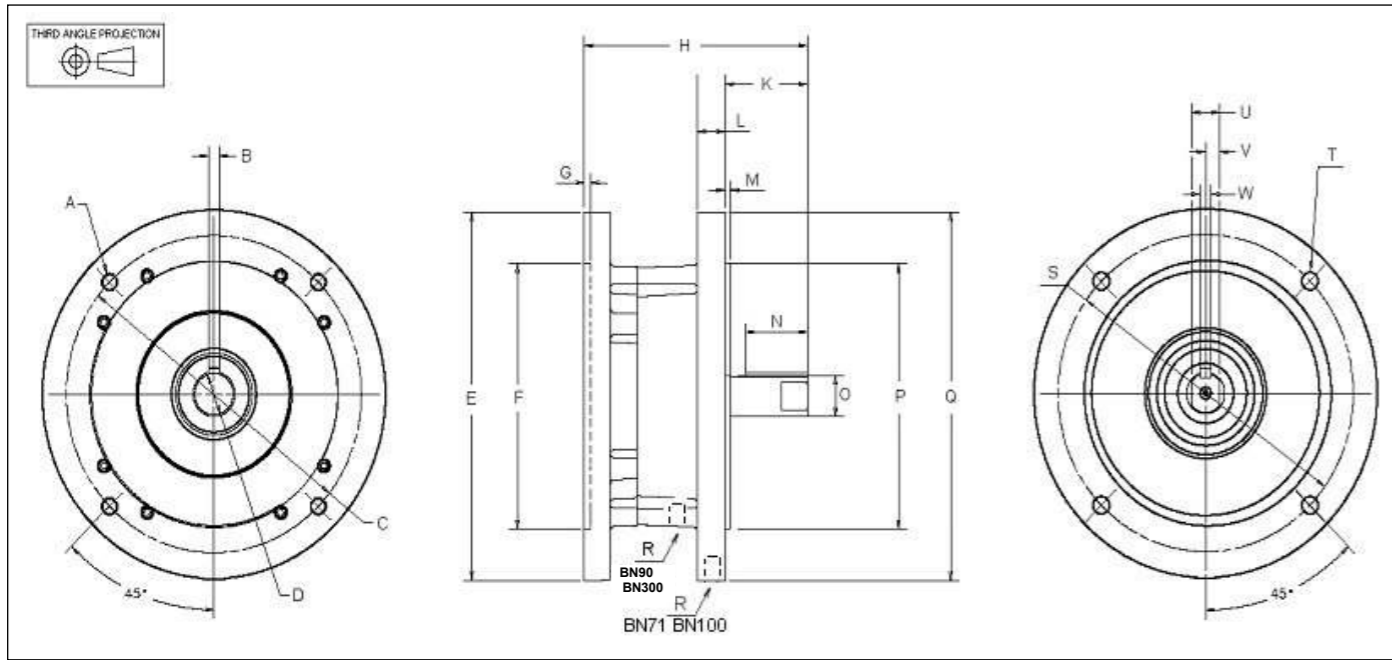


GLOBE BN brakes are fail-safe brakes (spring engaged, air released). They can be used as a static brake and under certain conditions in dynamic applications. The brake module bolts directly onto the motor mounting face with an IEC or NEMA connection flange. The brakes are certified according to the European Explosive Directive ATEX II cat. 2 G&D T3 (in static applications only).

- Easy interchangeable because of independent brake module;
- Cast-iron or steel housing and excellent thermal capacity for use in harsh environments;
- Long life-time;
- Certified according to the European Explosive Directive ATEX II cat. 2 G&D T3.

THE ADVANTAGES OF THE BN BRAKES INCLUDE:

- Brake can be used in dynamic applications;
- Field serviceable;
- Easy flange connection according to IEC and NEMA standards;
- Low maintenance because very few parts are exposed to wear;
- Compact design;

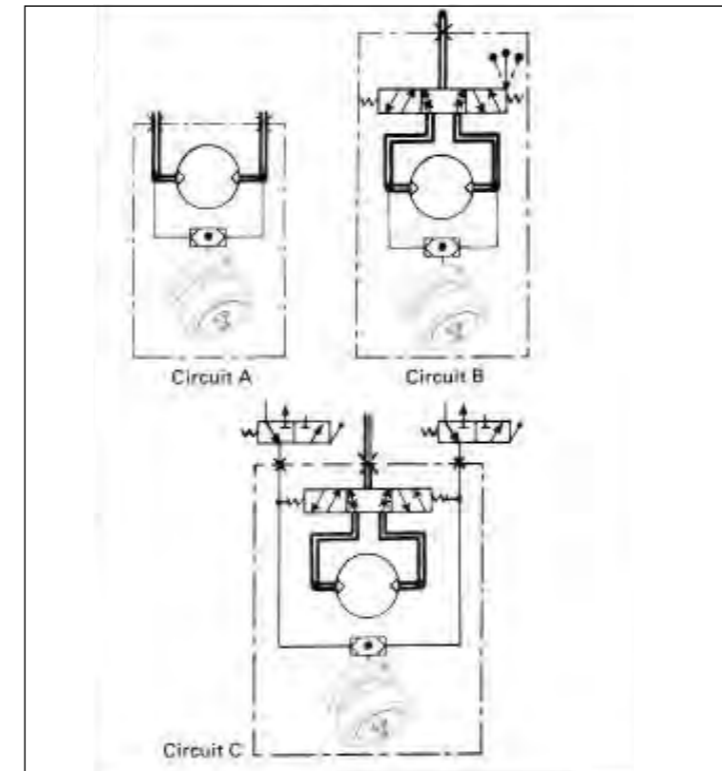


Brake type	A Ø	B	C Ø	D Ø	E Ø	F Ø	G	H	K	L	M	N	O Ø
BN71	10 (0.39")	5 (0.19")	130 (5.12")	14h7 (0.55")	160 (6.30")	110h7 (4.33")	3.5 (0.14")	137 (5.39")	30 (1.18")	44.6 (1.76")	2.3 (0.09")	25 (0.98")	14h7 (0.55")
BN90	M10	8 (0.31")	165 (6.49")	24h7 (0.94")	200 (7.87")	130h7 (5.12")	5 (0.19")	195 (7.67")	50 (1.97")	13 (0.51")	3.5 (0.14")	45 (1.77")	24h7 (0.94")
BN100	M12	8 (0.31")	215 (8.46")	28h7 (1.10")	250 (9.84")	180h7 (7.08")	5 (0.19")	163 (6.41")	60 (2.36")	19 (0.75")	4 (0.16")	55 (2.16")	28h7 (1.10")
BN300	M14	10h9 (0.39")	265 (10.43")	38h7 (1.49")	300 (11.81")	230h7 (9.05")	4 (0.16")	234 (9.21")	79 (3.11")	-	4 (0.16")	55 (2.16")	38h7 (1.49")

Brake type	P Ø	Q Ø	R	S Ø	T Ø	U	V	W
BN71	110h7 (4.33")	160 (6.30")	1/8 BSP	130 (5.12")	10 (0.39")	11 (0.43")	5.5 (0.21")	5 (0.19")
BN90	130h7 (5.12")	200 (7.87")	1/8 BSP	165 (6.49")	12 (0.47")	18 (0.71")	9 (0.35")	8 (0.31")
BN100	180h7 (7.08")	250 (9.84")	1/8 BSP	215 (8.46")	14 (0.55")	20.6 (0.81")	10.3 (0.40")	8 (0.31")
BN300	230h7 (9.05")	300 (11.81")	1/8 BSP	265 (10.43")	M14	20.6 (0.81")	10.3 (0.40")	8 (0.31")

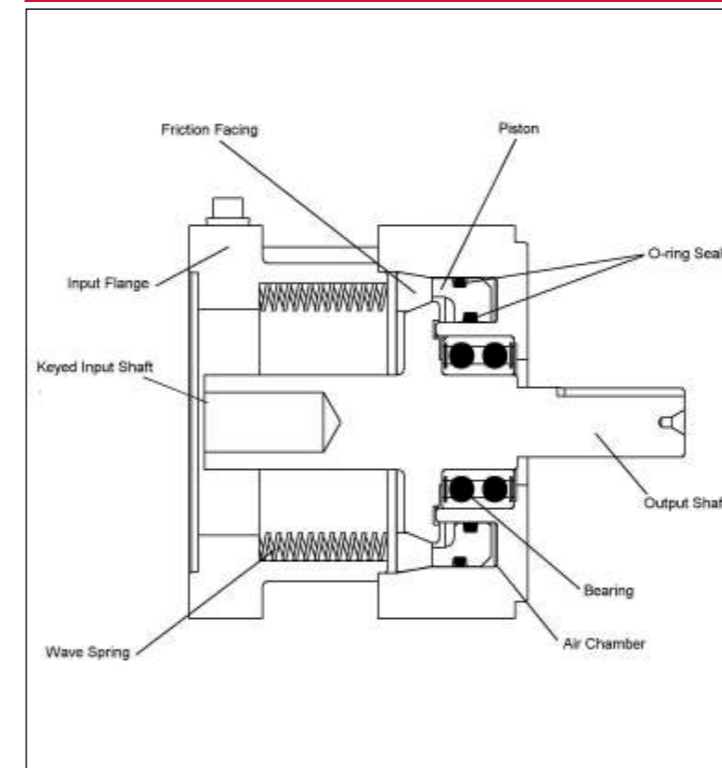
Brake type	Flange type	Holding torque	Release pressure
BN71	IEC71 (B5)	14Nm / 10.3 lb-ft	3.4 bar / 50 psi
BN90	IEC90 (B5)	29Nm / 21.4 lb-ft	3.4 bar / 50 psi
BN100	IEC100 (B5)	75Nm / 55.3 lb-ft	3.4 bar / 50 psi
BN300-4	IEC132 (B5)	300Nm / 221 lb-ft	2.2 bar / 32 psi
BN300-6	IEC132 (B5)	450Nm / 332 lb-ft	3.2 bar / 46 psi
BN300-8	IEC132 (B5)	600Nm / 442 lb-ft	4.3 bar / 62 psi

The brake releases with pneumatic pressure. When the pneumatic pressure drops below a pre-set air pressure the brake engages.

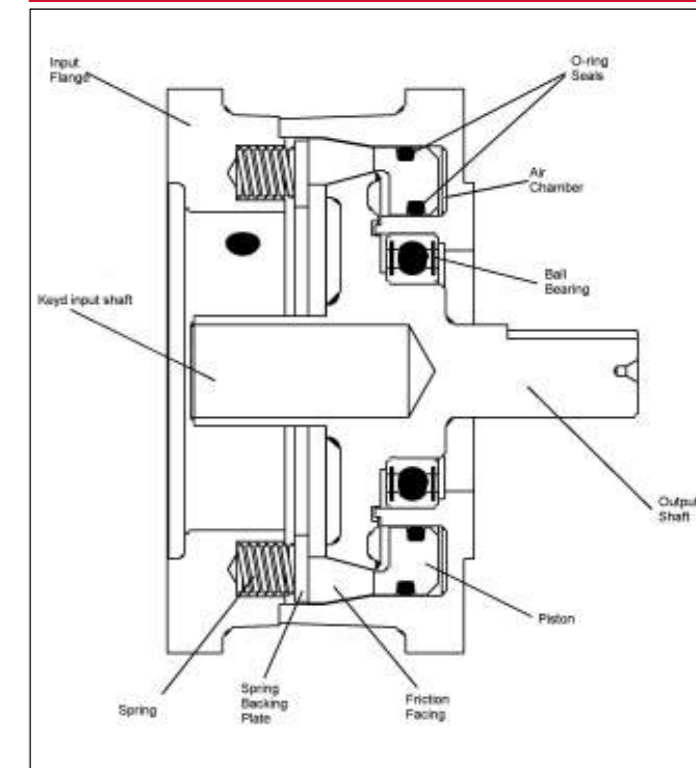


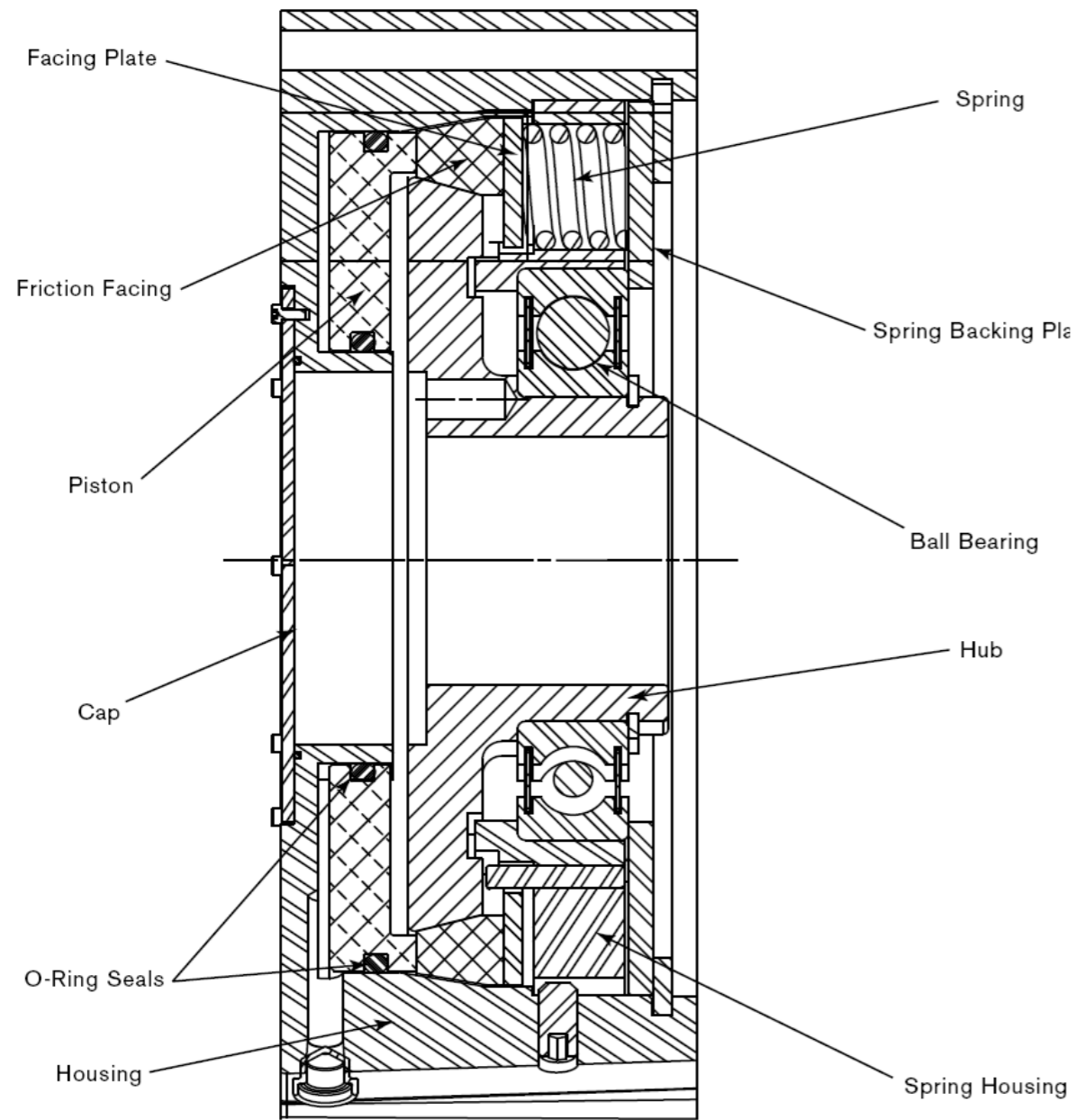
- CIRCUIT (A):** installation without control valve. The shuttle valve allows brake operation for dual rotation.
- CIRCUIT (B):** Installation with hand control valve (HCV). The HCV controls the rotation direction of the output shaft. The shuttle valve allows brake operation for dual rotation.
- CIRCUIT (C):** Installation with remote controlled valve (RCV). The RCV makes it possible to change the rotation direction of the shaft from a distance. The shuttle valve allows brake operation for dual rotation. If you need help or advice on how to correctly instal the piping for the brake release please contact us. Note - please make sure the brake has enough air pressure to release at all time.

SECTION DRAWING GLOBE BN71 AND BN90 BRAKE



SECTION DRAWING GLOBE BN100 BRAKE

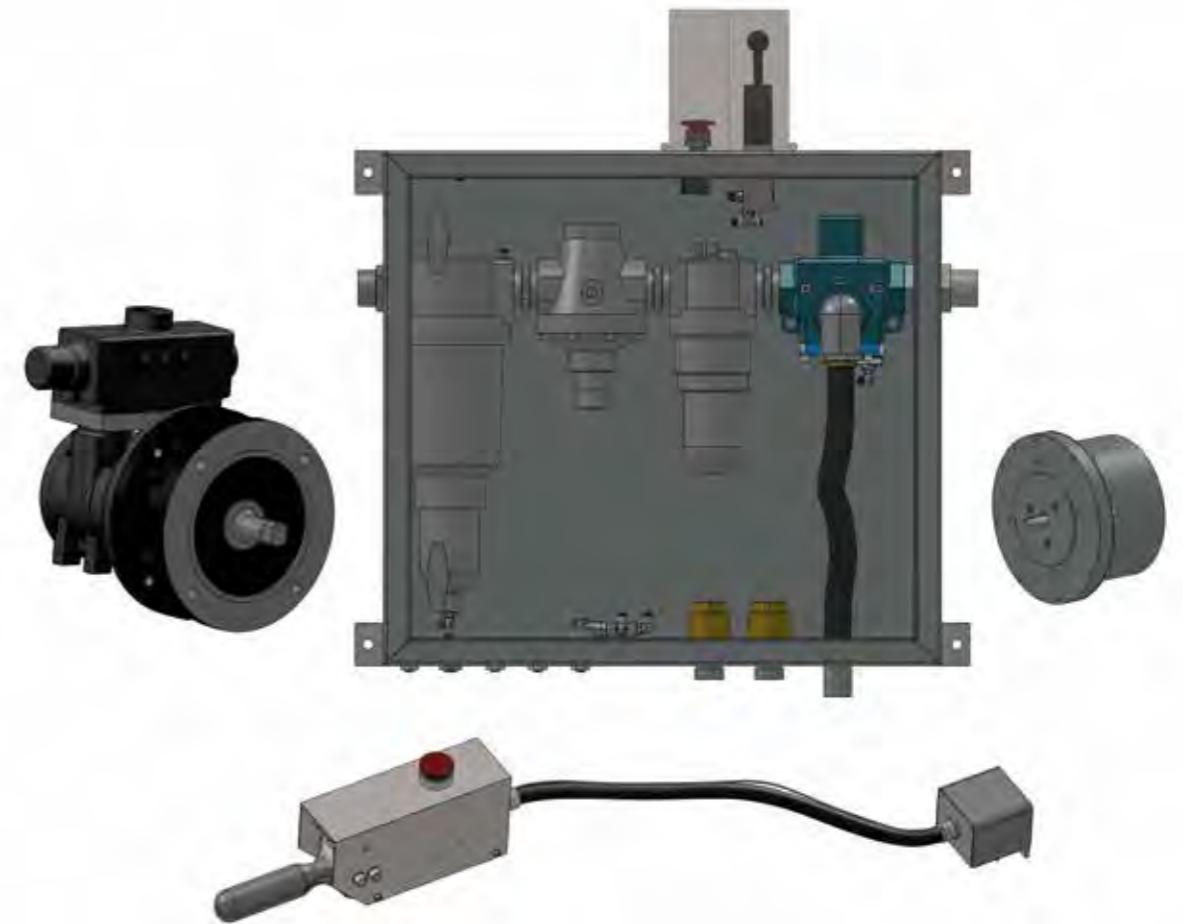




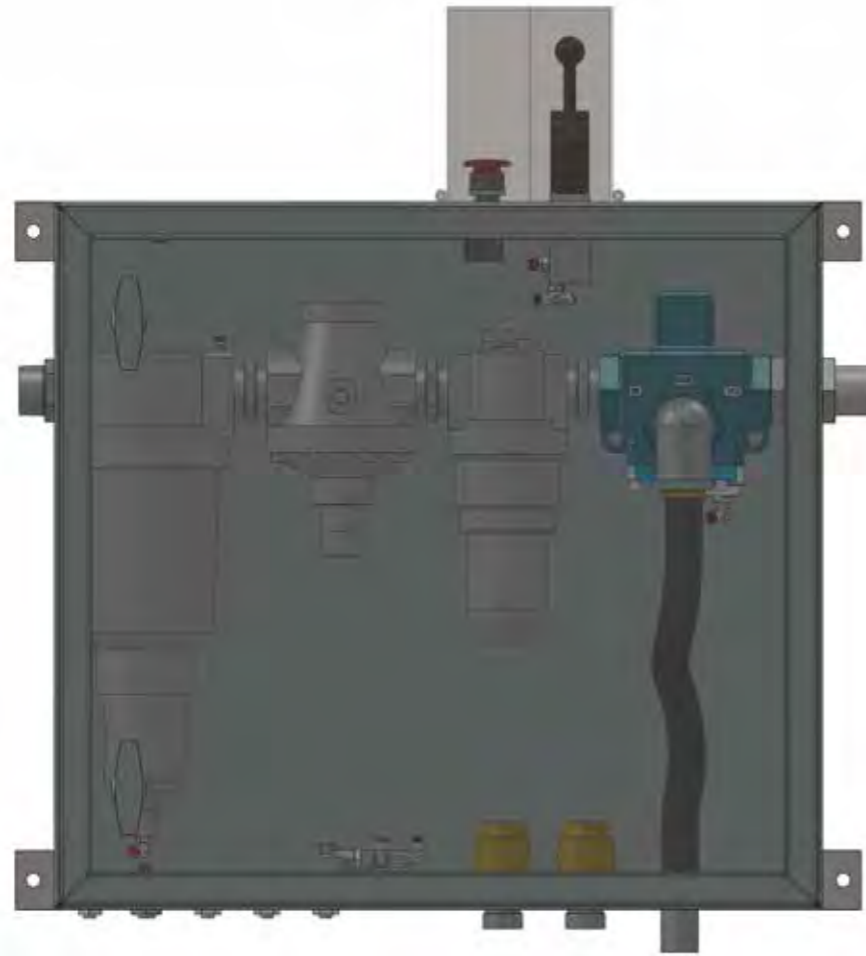
WINCH SYSTEM

Our air motors are used a lot in winching applications. Due to a growing demand for a complete pneumatic control system combined with an air motor drive, GLOBE Airmotors developed the winch system completely certified with ATEX II Cat. 2 G&D T3.

The winch system is a custom build system, which can be build according to the specific demands required for each individual project. The following parts or options can be included in the winch system: Stainless steel control cabinet, limit switch, air motor, pneumatic brake, gearbox, pendant control and a control valve.



STAINLESS STEEL CONTROL CABINET



The stainless steel cabinet is the main control cabinet for the winch system. The cabinet is placed in the main air supply line and is connected to all the other controlling parts for the system. The cabinet includes the following options:

GFRL-FRL UNIT

This is a combination unit consisting off a filter, reducer and lubrication unit. This unit provides the air motor from clean, controllable and lubricated air to ensure the best running conditions for the air motor.

3 WAY 3/2 ON AND OFF VALVE

This valve controls the air going to the air motor. Directly connected to the 3/2 valve, are the on/off buttons and the emergency stop. With these buttons, which are also build in the control cabinet, you can ensure a safe start or stop of the system.

LC-2 LEVER CONTROL

The LC-2 can be used to control the direction of rotation of the air motor from the control cabinet.

AIR MOTOR UNIT



The air motor unit consists off the following options:

AIR MOTOR

GLOBE Airmotors sells a lot of different air motors which can be used on winching applications. Please check the rest of our brochure or contact us so we can assist you in choosing the right air motor.

PNEUMATIC BRAKE

The pneumatic brake is a fail-safe brake which is mounted directly onto the air motor. The pneumatic brake is released by air pressure and allows you to safely stop the air motor.

CONTROL VALVE

There are two types of proportional control valves which can be mounted directly onto the air motor unit. You can choose between a hand controlled valve or a remote

controlled valve. The hand control valve allows you to control the speed and the direction of rotation directly from the motor. The remote control valve allows you to control the speed and the direction of rotation from a distance. The remote control valve can be combined with a LC-2 lever control or a PC-2 pendant control.

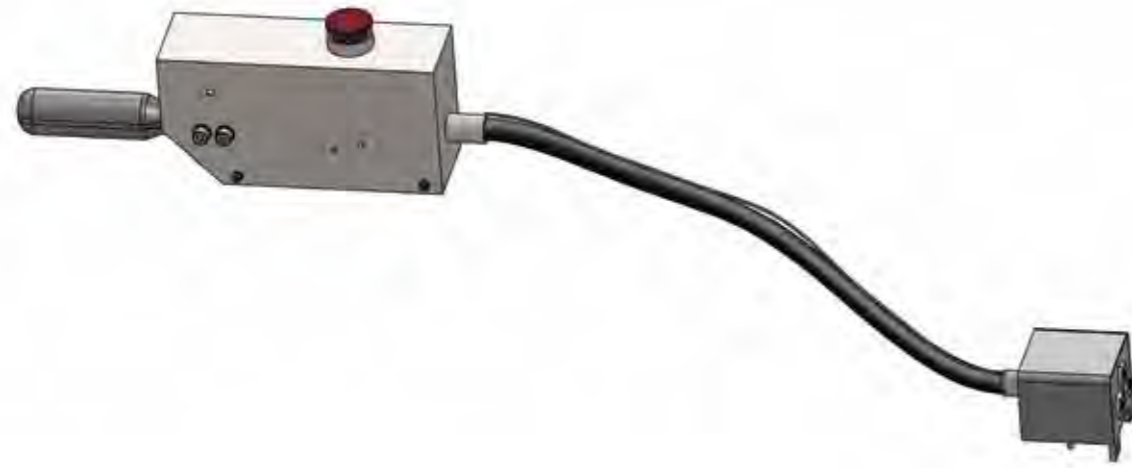
GEARBOX

GLOBE Airmotors uses a wide range of gearboxes which can be combined with the air motor to deliver the required speed and torque.

PIPING

We can provide the air motor unit with suitable piping between the control valve and the brake so the brake is released when the control valve is being used. When the control valve goes back to neutral the pressure to the brake will be released and the brake will hold the load.

PC-2 PENDANT CONTROL



The PC-2 pendant control is connected to the air motor unit and is used to control the motor through the remote control valve from a distance. We can supply the PC-2 pendant control with a stainless steel cover and a build

in emergency stop. The emergency stop shuts off the main air supply to the air motor unit when pressed to ensure a safe use even at a distance.

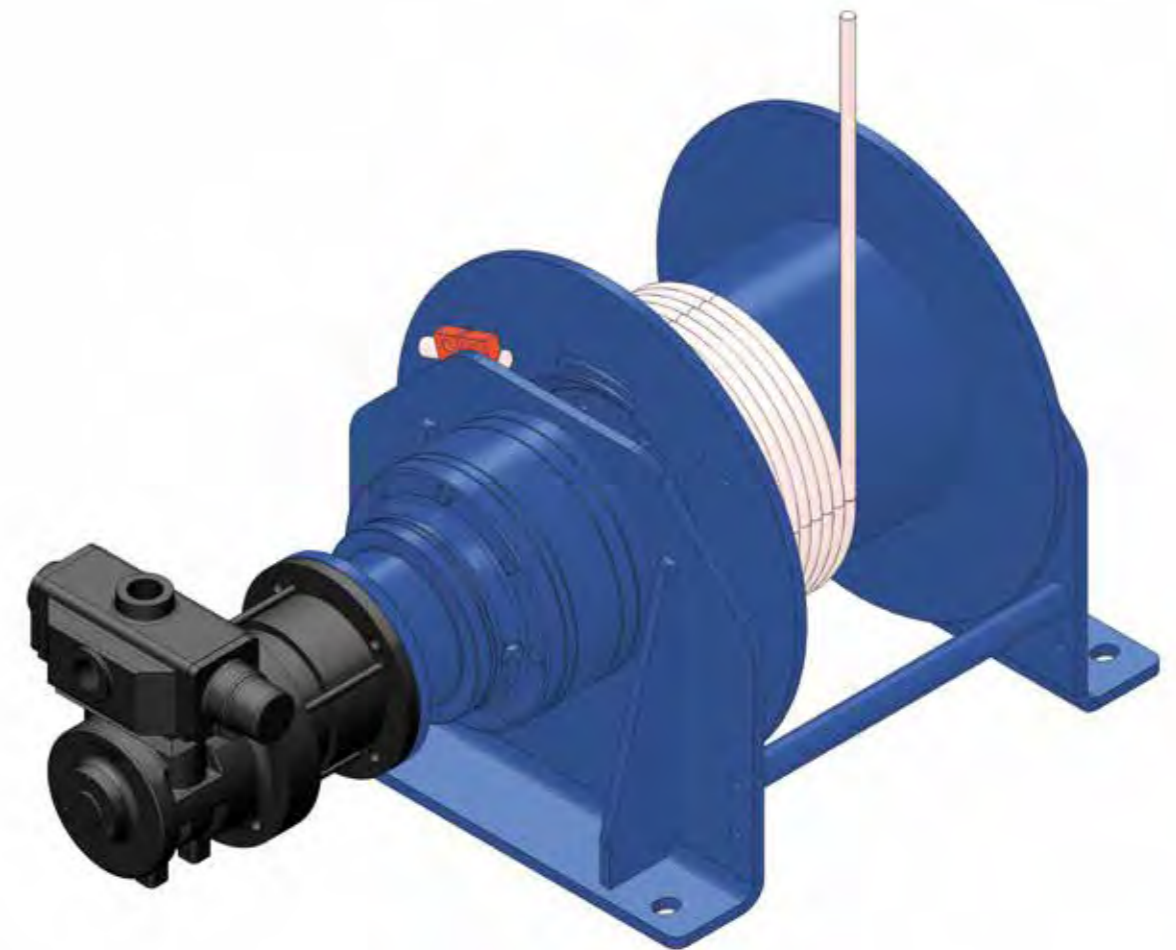
LIMIT SWITCH



The limit switch is directly mounted onto the winch and is used to stop the winch at a pre adjusted moment. For example when you have an application in which the winch can only rotate 20 times. You can set the limit

switch to 20 rotations, so the limit switch will give a signal to the control cabinet to shut down the system when these 20 rotations are obtained. The limit switch is an extra safety option for your winching application.

AIR MOTOR MOUNTED ON A WINCH





STAINLESS STEEL MOTORS AND ACCESSORIES

Due to the growing demand for stainless steel air motors GLOBE Airmotors is constantly working to meet these demands by introducing more and more stainless steel air motors. Keeping our motors on stock is very important for our customers, therefore GLOBE is putting

much effort in keeping stock of stainless steel motors as well. Please see which stainless steel air motors GLOBE keeps on stock and which options are possible. Do not hesitate to contact us for any other stainless steel options.

STAINLESS STEEL VANE MOTORS

The following stainless steel vane air motors are available directly from stock:

Stainless steel vane air motor
VS4CI
VA4CI
VS6CI

These stainless steel vane motors have the same dimensions and performances as the standard version of the vane air motors. If you require other stainless steel

vane air motors, please contact us for more information and possibilities.



STAINLESS STEEL COMPACT PISTON AIR MOTOR

The following stainless steel compact piston motors are available directly from stock:

Stainless steel compact piston air motor
RM012-PXX
RM012-PFX
RM024/RM048-IXX
RM024/RM048-IFX



STAINLESS STEEL COMPACT VANE AIR MOTOR

The following stainless steel compact vane air motors are available directly from stock:

Stainless steel compact vane air motor
2M02RS
2M10RS
5M05RS
5M34RS



GFRL-FRL STAINLESS STEEL (FILTER, REDUCER AND LUBRICATOR) UNIT

Please contact us for the availability of the stainless steel GFRL-FRL unit. We can supply the following range of FRL units:

Stainless steel GFRL-FRL unit	
	G1/8" until G1" (2 piece unit)
	G1 1/4" until 2" (3 piece unit)



World Headquarter

GLOBE Airmotors BV

Boerhaaveweg 9-11
2408 AD, Alphen aan den Rijn
The Netherlands

Tel: +31 (0)172 - 42 66 08

Fax:+31 (0)172 - 42 66 07

info@globe-benelux.nl

Germany

GLOBE Luftmotoren & Hochdrucktechnik GmbH

Schmiedestraße 23
26632, Ihlow/Riepe
Germany

Tel: +49 (0)4928-9151 606

Fax: +49 (0)4928-9151 608

info@globelh.de

Distributed by:

PLEASE VISIT US AT WWW.GLOBE-BENELUX.NL



GLOBE AIRMOTORS B.V.