



Optimize Your Machine



of industrial shock absorbers for the **PET container industry.**

Ideal for Stretch Rod and Mold Applications

When you're ready to optimize your PET blowing machines and reduce cycle time and increase output, you'll need ACE PET shocks to absorb the higher energies and reduce the extra wear and tear.

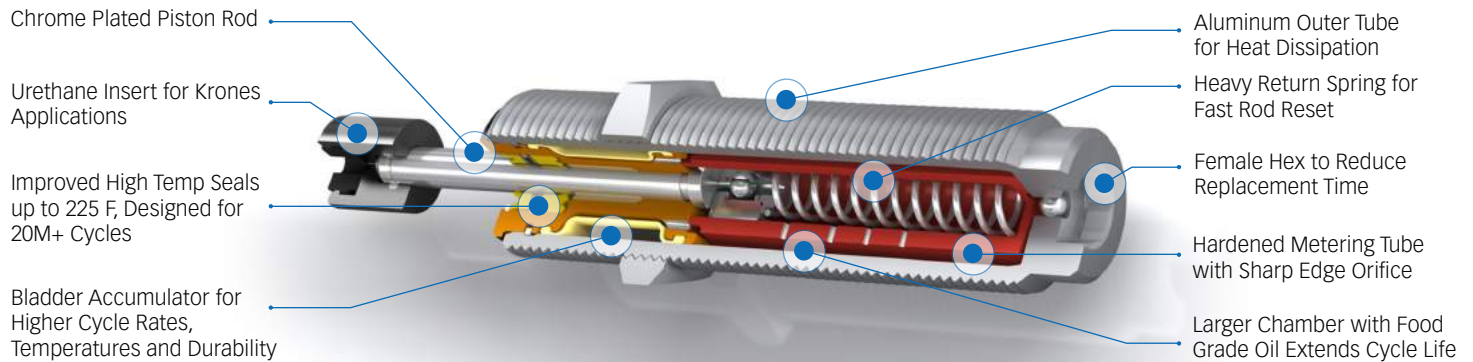
These durable models are engineered specifically to run faster, hotter and longer in Sidel and Krones blowers.

Longer Life!
Duty Rated for Over 20
Million Cycles

MAXIMACE
easier > faster > stronger >



New materials and design for next generation improvements



E4 Energy per hour: 1.8M in-lbs (203,373 Nm)

Rod return time: .10 second

Return force: Initial: 3.8 lbs (16.9N)

Compressed: 7.1 lbs (32N)

Shipping weight: .44 lb (.20 kg)

Materials: Aluminum outer tube, chrome plated piston rod

PET Series & Model No.: PET25EUM, PET27EUM

Effective Weight*: -1 Ultralight -3 Medium

Mount, Button Options: PET25EUM, PET27EUM

- QCM Quick Change Mount
- SBUC Small Button, Urethane Cap
- 880 No Button, Standard Rod
- NB No Button, Short Rod
- When using ACE Shock Stop Holders, you only need to inventory one shock model
- Krones Shock Stop Holder used with –SBUC
- * Additional models available for custom applications.

PET Shock Absorber Benefits

- Increased production
- Increased system performance
- Increased shock absorber life
- Reduced downtime
- Reduced reaction forces
- NSF H1 oil reduces cross contamination issues
- Reduced component wear
- Reduced damage-causing impact forces
- Solves previous form and fit issues
- Lifetime warranty against material and workmanship
- Highly cost-competitive
- Color Coded for easier installation
(Black = -1 Ultralight and Silver = -3 Medium)

© ACE Stoßämpfer GmbH 2016. All rights reserved.
 Albert-Einstein Straße 15 - DE-40764 Langenfeld • Phone: +49 (0)2173 - 9226-4100 • Fax: +49 (0)2173 - 9226-89
 Email: info@ace-ind.eu • www.ace-ace.com

Sidel® is a registered trademark of Sidel® Company. KRONES® is a registered trademark of KRONES® Company.

WARNING: IMPROPER SELECTION OR IMPROPER USE OF THE PRODUCTS AND/OR SYSTEMS DESCRIBED HEREIN OR RELATED ITEMS CAN CAUSE PERSONAL OR FATAL INJURY AND/OR PROPERTY DAMAGE.



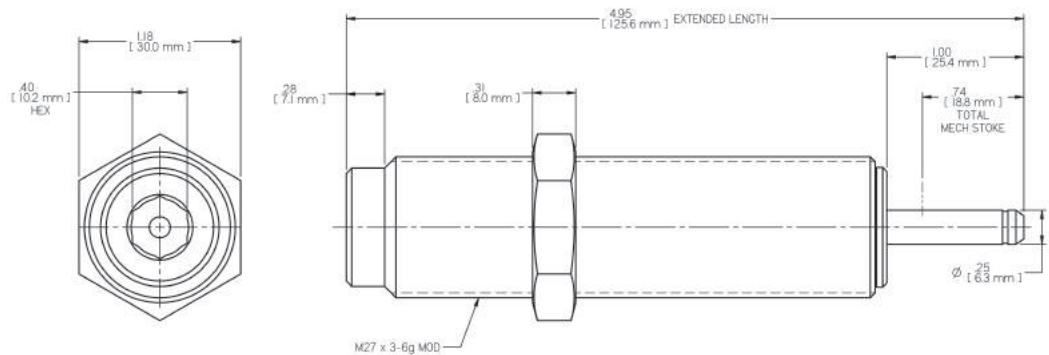
MAXIMACE
easier > faster > stronger >

Industrial Shock Absorbers for the PET Industry

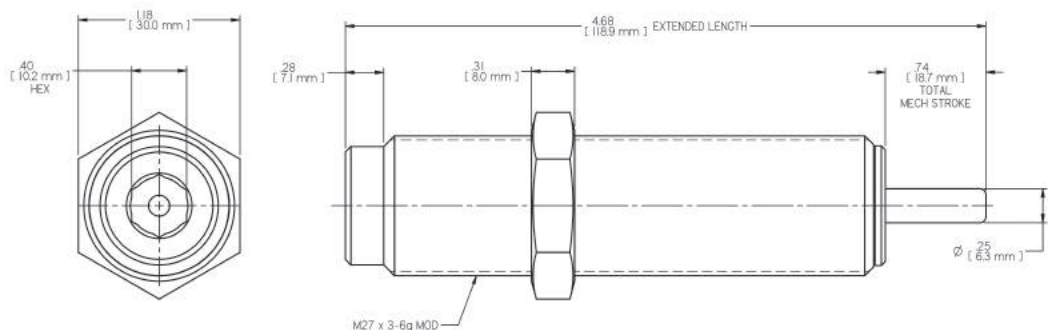
PET27EUM

Ideal for Stretch Rod and Mold Applications on Sidel and
Krones PET machines.

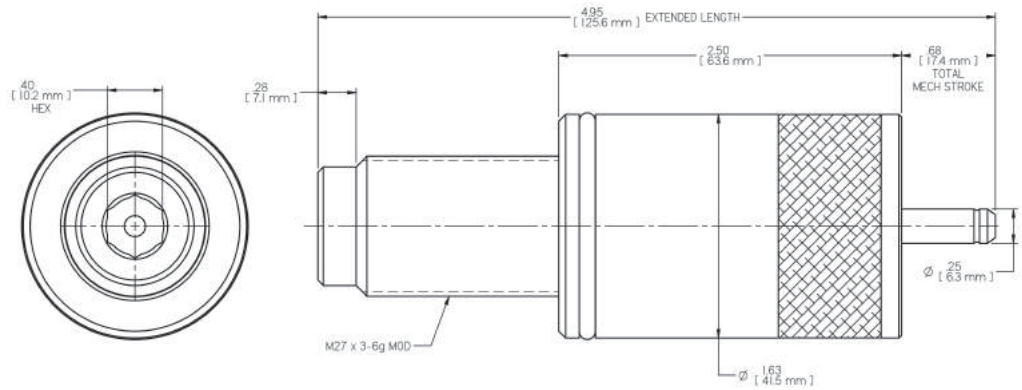
PET-27EUM-880



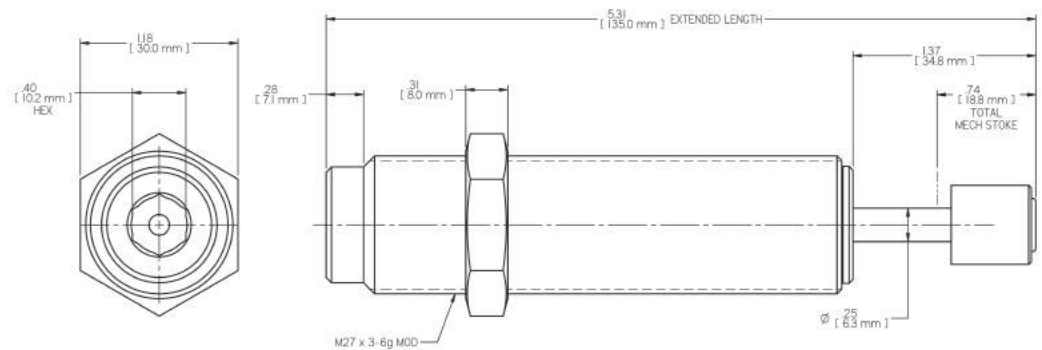
PET-27EUM-NB



PET-27EUM-QCM-880



PET-27EUM-SBUC



TECHNICAL DATA

E4 Energy per hour: 1.8M in-lbs (203,373 Nm)

Rod return time: 0.10 second

Return force: Initial: 3.8 lbs (1.72 kg)

Compressed: 7.1 lbs (3.22 kg)

Shipping weight: 0.44 lb (.20 kg)

Materials: Aluminum outer tube, chrome plated piston rod

PET Series & Model Number: PET 27EUM

Effective Weight*: -1 Ultralight -3 Medium

NOMENCLATURE

PET27EUM 1 - QCM

SERIES MODEL NUMBER

PET 27EUM

EFFECTIVE WEIGHT

-1 Ultra Light

-3 Medium

MOUNT, BUTTON OPTIONS

- QCM Quick Change Mount
- SBUC Small Button, Urethane Cap
- 880 No Button, Standard Rod
- NB No Button, Short Rod
 - When using ACE Shock Stop Holders, you only need to inventory one shock model
 - Krones Shock Stop Holder used with –SBUC

* Additional models available for custom applications.

© ACE Stoßämpfer GmbH 2016. All rights reserved.

Albert-Einstein-Straße 15 - DE-40764 Langenfeld • Phone: +49 (0)2173 - 9226-4100 • Fax: +49 (0)2173 - 9226-89

Email: info@ace-int.eu • www.ace-ace.com

Sidel® is a registered trademark of Sidel® Company. Krones® is a registered trademark of Krones® Company.

WARNING: IMPROPER SELECTION OR IMPROPER USE OF THE PRODUCTS AND/OR SYSTEMS DESCRIBED HEREIN OR RELATED ITEMS CAN CAUSE PERSONAL OR FATAL INJURY AND/OR PROPERTY DAMAGE

201609HH