

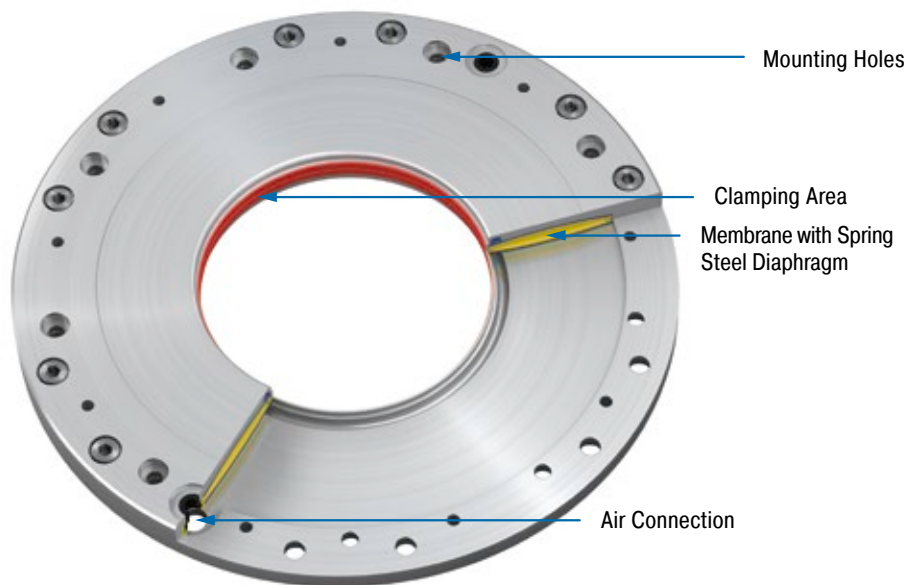
## LOCKED R Clamping Elements

### Strong holding force on the shaft

Direct clamping on the shaft: Rotation motions are prevented by the LOCKED-Series R. Their clamping elements are available for shaft diameters of 50 to 340 mm and ensure maximum holding forces.

The clamp is immediately applied by the diaphragm and spring-plate system when pressure is lost. Pneumatic quick-switch valves reduce the reaction times. The costs are low in comparison with hydraulic clamping systems. Their performance is, however, achieved or exceeded despite the compact and easy to assemble design. Special versions for YRT bearings as well as active clamping elements are additionally available. ACE recommends the use of the optional shaft flange as wear protection. The clamping force can be increased considerably by the use of the additional air function.

Models from the LOCKED-Series R are also used in mechanical engineering and customised machine tools.



### Technical Data

**Holding torques:** 42 Nm to 4,680 Nm

**Shaft diameter:** Ø 50 mm to Ø 340 mm

**Clamping cycles:** 1,000,000. Higher values on request.

**Mounting:** In any position

**Operating pressure:** 4 bar (automotive) or 6 bar

**Material:** Outer body: Hardened fine-grain structural steel, inner bore ground

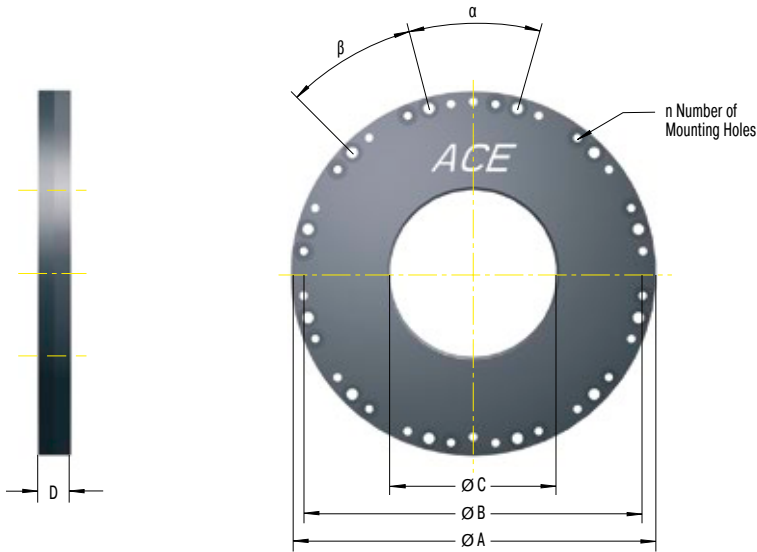
**Pneumatic medium:** Dried, filtered air

**Operating temperature range:** 10 °C to 45 °C

**Application field:** Drive shafts, Torque motors, Conveyor systems

**Note:** If requested installation drawings of the respective types are provided.

**On request:** Special designs and customised solutions e.g. YRT bearing up to Ø 460 mm and shaft flange available on request.

**R**


The calculation and selection of the most suitable clamping element should be carried out or be approved by ACE.

### Complete details required when ordering

Operating pressure: 4 bar or 6 bar  
Option: With additional air

### Ordering Example

Rotational Clamping R80-Z-6B  
 Shaft Nominal Diameter 80 mm  
 Z = Increased Force with Additional Air  
 6B = 6 bar Type  
 4B = 4 bar Type

### Performance and Dimensions

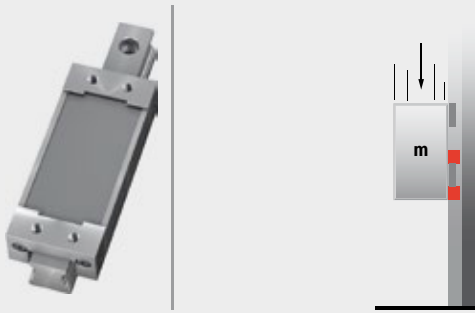
TYPES	Holding torque Nm	Operating pressure bar	A mm	B mm	C opened mm	Shaft Diameter mm	D mm	n	$\alpha$ °	$\beta$ °	Weight kg
R50-4B	42	4	145	134	50+0.03/+0.05	50-0.01/-0.025	15	8	45	45	1.7
R50-6B	60	6	145	134	50+0.03/+0.05	50-0.01/-0.025	15	8	45	45	1.7
R60-4B	59	4	155	144	60+0.03/+0.05	60-0.01/-0.025	15	8	45	45	1.9
R60-6B	84	6	155	144	60+0.03/+0.05	60-0.01/-0.025	15	8	45	45	1.9
R70-4B	80	4	165	154	70+0.03/+0.05	70-0.01/-0.025	15	12	30	30	2.1
R70-6B	114	6	165	154	70+0.03/+0.05	70-0.01/-0.025	15	12	30	30	2.1
R80-4B	105	4	175	164	80+0.03/+0.05	80-0.01/-0.025	15	12	30	30	2.3
R80-6B	150	6	175	164	80+0.03/+0.05	80-0.01/-0.025	15	12	30	30	2.3
R90-4B	132	4	185	174	90+0.03/+0.05	90-0.01/-0.025	15	12	30	30	2.5
R90-6B	189	6	185	174	90+0.03/+0.05	90-0.01/-0.025	15	12	30	30	2.5
R100-4B	168	4	228	210	100+0.04/+0.06	100-0.01/-0.025	16	12	40	20	4.1
R100-6B	240	6	228	210	100+0.04/+0.06	100-0.01/-0.025	16	12	40	20	4.1
R120-4B	235	4	248	230	120+0.04/+0.06	120-0.01/-0.025	16	12	40	20	4.6
R120-6B	336	6	248	230	120+0.04/+0.06	120-0.01/-0.025	16	12	40	20	4.6
R140-4B	319	4	268	250	140+0.04/+0.06	140-0.01/-0.025	16	12	40	20	5.1
R140-6B	456	6	268	250	140+0.04/+0.06	140-0.01/-0.025	16	12	40	20	5.1
R160-4B	420	4	288	270	160+0.04/+0.06	160-0.01/-0.025	16	12	40	20	5.6
R160-6B	600	6	288	270	160+0.04/+0.06	160-0.01/-0.025	16	12	40	20	5.6
R180-4B	525	4	308	290	180+0.04/+0.06	180-0.01/-0.025	20	16	30	15	7.7
R180-6B	750	6	308	290	180+0.04/+0.06	180-0.01/-0.025	20	16	30	15	7.7
R200-4B	651	4	328	310	200+0.05/+0.07	200-0.01/-0.03	20	16	30	15	8.3
R200-6B	930	6	328	310	200+0.05/+0.07	200-0.01/-0.03	20	16	30	15	8.3
R220-4B	777	4	348	330	220+0.05/+0.07	220-0.01/-0.03	20	16	30	15	8.9
R220-6B	1,110	6	348	330	220+0.05/+0.07	220-0.01/-0.03	20	16	30	15	8.9
R240-4B	945	4	368	350	240+0.05/+0.07	240-0.01/-0.03	20	24	20	10	9.5
R240-6B	1,350	6	368	350	240+0.05/+0.07	240-0.01/-0.03	20	24	20	10	9.5
R260-4B	1,092	4	388	370	260+0.05/+0.07	260-0.01/-0.03	22	24	20	10	11.2
R260-6B	1,560	6	388	370	260+0.05/+0.07	260-0.01/-0.03	22	24	20	10	11.2
R280-4B	1,260	4	408	390	280+0.05/+0.07	280-0.01/-0.03	22	24	20	10	11.9
R280-6B	1,800	6	408	390	280+0.05/+0.07	280-0.01/-0.03	22	24	20	10	11.9
R300-4B	1,470	4	428	410	300+0.05/+0.07	300-0.01/-0.03	22	24	20	10	12.6
R300-6B	2,100	6	428	410	300+0.05/+0.07	300-0.01/-0.03	22	24	20	10	12.6
R320-4B	1,638	4	448	430	320+0.05/+0.07	320-0.01/-0.03	22	24	20	10	13.1
R320-6B	2,340	6	448	430	320+0.05/+0.07	320-0.01/-0.03	22	24	20	10	13.1
R340-4B	1,806	4	468	450	340+0.05/+0.07	340-0.01/-0.03	22	24	20	10	14.0
R340-6B	2,580	6	468	450	340+0.05/+0.07	340-0.01/-0.03	22	24	20	10	14.0



## Application Examples

### SL Special LOCKED SL elements for emergency stops

In order to secure the processing position of a special lathe in both the horizontal and the vertical axis, ACE LOCKED elements of the type SL35-1-6B are installed. They have the further advantage of preventing slippage through the vertical axis in the case of a malfunction. The products used in the SL-series not only have the correct track width and offer very high process clamping forces of up to 10,000 N, but can also apply the same force as an emergency-stop braking function. This is due to the specially integrated brake linings made of low-wear sintered metal.



ACE clamping and safety elements maintain a rock-solid hold on the axes in special lathes and secure the predetermined positions both horizontally and vertically  
RASOMA Werkzeugmaschinen GmbH, 04720 Döbeln, Germany

### SLK Secure rail clamping

ACE clamping elements secure machines in the tyre industry. The goods accumulator/compensator of a material dispenser carries meandering, coiled, highly tear resistant material strips, which are fed at high speed to a tyre-manufacturing machine. To prevent damaging the machine, innovative type SLK25-1-6B clamping elements are employed.

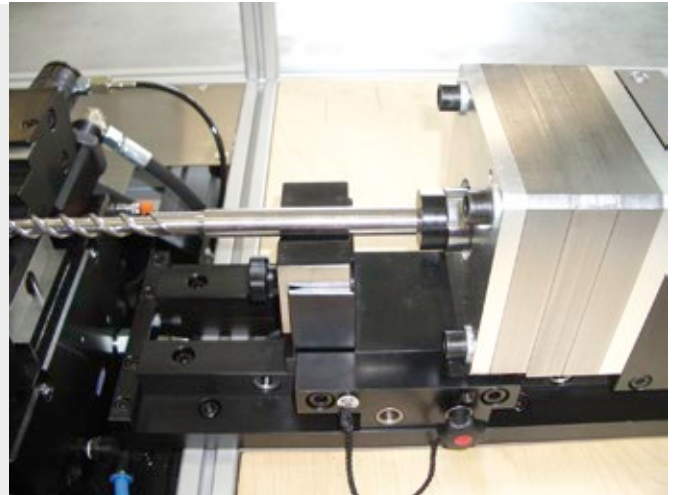
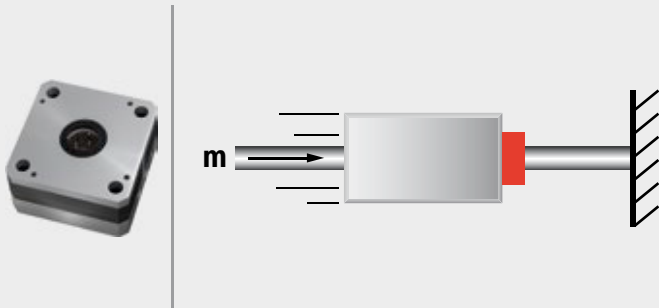


Secure material accumulator

PN

## Clamping elements as a variable stop

ACE clamping elements are inserted, as a variable stop, during a joining process for the production of drilling tools. They meet the requirements for a precise positioning of the workpiece head and an adaptation of the length tolerance of up to 3 mm, ideally. ACE was awarded the contract because the clamping element is attached on a bar and its PN LOCKED series is specifically designed for this purpose. For clamping on linear guides, rails, axles and shafts, ACE offers a great range of high-performance models.

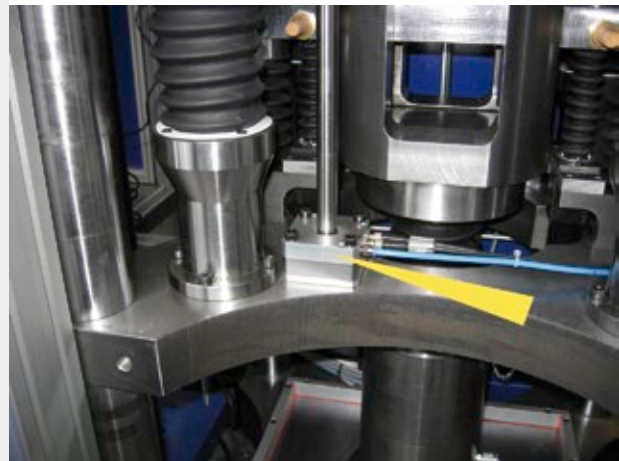


ACE clamping elements assist in the production of drilling tools: the LOCKED-P system clamps and at the same time absorbs the opposing forces of the joining process without difficulty  
GRAF automation GmbH, 88214 Ravensburg, Germany

PN

## Secure rod clamping

Pneumatic rod clamping allows hydraulic presses to be used for any application. With the help of hydraulic presses, cut ceramic parts are manufactured during the week. So that the rods of the upper and lower stamping plate do not sag when the press is at a standstill over the weekend or during holidays and therefore have to be setup again on the next working day, PN80-25-2-6B type rod clamps are used.



Secured Presses  
KOMAGE Gellner Maschinenfabrik KG, 54427 Kell am See, Germany





# ACE Expertise Compact

## Lectures, training courses and a new demonstration vehicle

### Free and Convenient in your Premises

**Whether in the training vehicle or through lectures: we have a lot to tell. Images, tests and concrete products at your location convey information much more quickly and plausibly than speech or written materials.**

In our free specialised lectures we clearly demonstrate the function and mode of operation of the damping elements. Fast, compact and completely tailored to suit you. ACE presentations include video material, a lot of application images, drop tester and a pneumatic demonstration unit along with original "live" products.

We illuminate kinetic energies and the impact on production processes, design and mode of operation of shock absorbers, we compare techniques, calculate, perform tests and show typical applications.

### Even more Compact: Training in the ACE Demonstration Vehicle

In 60 minutes, everything about automation control, motion control, vibration control and ACE safety products. Right at your premises on the parking lot.

Learn how you can increase your production, go easy on your machines, reduce noise and vibrations, simplify designs and save costs.

**Ideal for smaller groups of about 8 people.**



# Fax Request

## Our free and fast service

Do you need the new main catalogue? Are you interested in ACE lectures and presentations? Or a training course in the ACE demonstration vehicle with field representatives of your choice?

We offer compact, tailored presentation packages. These illustrate the function and mode of operation of the ACE products – quickly and easily. At our place or yours!

Please also use our contact form at [www.ace-ace.com](http://www.ace-ace.com)

### Yes. We are interested in

- the new ACE catalogue
- a training in the demonstration vehicle
- product presentations in our premises
- a lecture at our site
- technical assistance at our site

### Topic

- Automation Control
- Motion Control
- Vibration Control
- Safety Products

### Your contact information

Company	
Name	
Function	
Department	
Address	
ZIP Code / City	
Telephone	
Fax	
E-Mail	
Internet	

**Please copy, complete and fax to +49 (0)2173 - 9226-89**



## in Countries without ACE Facility



**ARGENTINA**  
CAMOZZI NEUMATICA S.A.  
Prof. Dr. Pedro Chutro 3048  
1437 Buenos Aires, Argentina  
T +54 11 49110816  
F +54 11 49124191  
www.camozzi.com.ar



**AUSTRIA**  
ACE STOSSDÄMPFER GMBH  
Albert-Einstein-Straße 15, 40764 Langenfeld, Germany  
T +49 2173-9226-4000  
F +49 2173-9226-29  
www.ace-ace.de  
(distributors on request)



**BELARUS**  
BIBUS (BY) COOO  
8th Per. Ilyicha 13a, office 2.1  
246013 Gomel, Belarus  
T +375 232 29 31 39  
F +375 232 39 59 02  
www.bibus.by  
(not distributor for gas springs and HB dampers)

## Gas spring &amp; HB damper specialists:

TECHVITASBEL LLC  
F. Skaryny str. 15B-3  
220114 Minsk, Belarus  
T +375 17 396 63 83  
F +375 17 396 63 82  
www.techvitas.by  
(not distributor for shock absorbers, TUBUS, SLAB)



**BELGIUM**  
ACE STOSSDÄMPFER GMBH  
Albert-Einstein-Straße 15, 40764 Langenfeld, Germany  
T +32 11-960736  
F +32 11-960737  
www.ace-ace.com  
(distributors on request)



**BOSNIA AND HERZEGOVINA**  
BIBUS DOO  
Karadordeva, 76311 Dvorovi – Bijeljina  
Bosnia and Herzegovina  
T +387 55 423 444  
F +387 55 423 444  
www.bibus.ba  
(not distributor for gas springs and HB dampers)

## For gas springs &amp; HB dampers:

ACE STOSSDÄMPFER GMBH  
Albert-Einstein-Straße 15, 40764 Langenfeld, Germany  
T +49 2173-9226-4100  
F +49 2173-9226-89  
www.ace-ace.com



**BRAZIL**  
OBR EQUIPAMENTOS  
INDUSTRIAIS LTDA.  
Rua Florianópolis, 431, Mooca-São Paulo – SP.  
CEP 03185-050, Brazil  
T +55 11-2067 3698 / 0800704 3698  
www.obr.com.br



**BULGARIA**  
BIBUS BULGARIA LTD.  
Tzvetan Lazarov Blv. 2, floor 2, 1574 Sofia, Bulgaria  
T +359 2 971 98 08  
F +359 2 927 32 64  
www.bibus.bg  
(not distributor for gas springs and HB dampers)

## For gas springs &amp; HB dampers:

ACE STOSSDÄMPFER GMBH  
Albert-Einstein-Straße 15, 40764 Langenfeld, Germany  
T +49 2173-9226-4100  
F +49 2173-9226-89  
www.ace-ace.com



**CHILE**  
TAYLOR AUTOMATIZACION S.A.  
Santiago De Uruina 1854, Quinta Normal  
8500000 - Santiago, Chile  
T +56 2 2555 1516  
F +56 2 2544 1965  
www.taylorsa.cl



**CROATIA**  
BIBUS ZAGREB D.O.O.  
Anina 91, 10000 Zagreb, Croatia  
T +385 1 3818 004  
F +385 1 3818 005  
www.bibus.hr  
(not distributor for gas springs and HB dampers)

## For gas springs &amp; HB dampers:

ACE STOSSDÄMPFER GMBH  
Albert-Einstein-Straße 15, 40764 Langenfeld, Germany  
T +49 2173-9226-4100  
F +49 2173-9226-89  
www.ace-ace.com



**CZECH REPUBLIC**  
BIBUS S.R.O.  
Videnska 125, 639 27 Brno, Czech Republic  
T +420 547 125 300  
F +420 547 125 310  
www.bibus.cz  
(not distributor for gas springs and HB dampers)

## Gas spring &amp; HB damper specialists:

MN-SYSTEMS, S.R.O.  
Na Honech I/5538, 760 05 Zlín, Czech Republic  
T +420 734 200 172  
F +420 246 013 937  
www.mnsystems.cz



**DENMARK**  
AVN TEKNIK A/S  
Dalager 1, 2605 Broendby, Denmark  
T +45 70 20 04 11  
F +45 43 24 55 00  
www.avn.dk



**ESTONIA**  
TECHVITAS SIA  
38 Daugavas Street, Marupe  
2167 Marupes nov., Latvia  
T +371 27 530 003  
F +371 29 847 378  
www.techvitas.lv



**FINLAND**  
NESTEPAIN OY  
Makituvantie 11, 01510 Vantaa, Finland  
T +358 20 765 165  
F +358 20 765 7666  
www.nestepaine.fi

MOVETEC OY  
Hannuksentie 1, 02270 Espoo, Finland  
T +358 9 5259 230  
F +358 9 5259 2333  
www.movetec.fi



**FRANCE**  
BIBUS FRANCE  
Zl du Chapotin, 233 rue des frères Voisin  
69970 Chaponnay, France  
T +33 4 78 96 80 00  
F +33 4 78 96 80 01  
www.bibusfrance.fr  
(not distributor for gas springs and HB dampers)

## For gas springs &amp; HB dampers:

ACE STOSSDÄMPFER GMBH  
Albert-Einstein-Straße 15, 40764 Langenfeld, Germany  
T +49 2173-9226-4100  
F +49 2173-9226-89  
www.ace-ace.com



**GREECE**  
PNEUMATEC INDUSTRIAL  
AUTOMATION SYSTEMS  
91 Spirou Patsi Street, Athens 11855, Greece  
T +302 1 03412101 / 3413930  
F +302 1 03413930



**HUNGARY**  
BIBUS KFT.  
Almáskert út 9, 2220 Vecsés, Hungary  
T +36 29 557 763  
F +36 29 557 777  
www.bibus.hu  
(not distributor for gas springs and HB dampers)

## Gas spring &amp; HB damper specialists:

DUNA CONSULTING KFT.  
Gábor Áron u. 18, 2013 Pomáz, Hungary  
T +36 1 433 4700, +36-30 26 36 576  
F +36 1 264 8900  
www.acegazrugo.hu



**INDIA**  
SHREEJI MARKETING CORPORATION  
2& 3, 1st Floor, Pride Plaza, Mumbai-Pune Road  
Pimpri, Pune - 411018, India  
T +91 20 2742 0897  
F +91 20 2742 0997  
www.shreejimkt.com



**IRELAND**  
IRISH PNEUMATIC SERVICES LTD.  
5A M7 Business Park  
Newhall, Naas, Co. Kildare, Ireland  
T +353 45-872590  
F +353 45-872595  
www.irishpneumaticservices.com



**ISRAEL**  
ILAN & GAVISH AUTOMATION SERVICE LTD.  
26, Shenkar Street, Qiryat-arie 49513  
PO Box 10118, 49001 Petah-Tiqva, Israel  
T +972 39 22 18 24  
F +972 39 24 07 61  
www.ilan-gavish.co.il



**ITALY**  
R.T.I. S.R.L.  
Via Chambery 93/107V, 10142 Torino, Italy  
T +39 011-70 00 53 / 70 02 32  
F +39 011-70 01 41  
www.rti-to.it



**JORDAN**  
ATAFAWOK TRADING EST.  
PO Box 921797, Amman 11192, Jordan  
T +962 64 02 38 73  
F +962 65 92 63 25



**LATVIA**  
TECHVITAS SIA  
38 Daugavas Street, Marupe  
2167 Marupes nov., Latvia  
T +371 27 530 003  
F +371 29 847 378  
www.techvitas.lv


**LITHUANIA**  
**TECHVITAS UAB**

Dubysos g. 66A, 94107 Klaipeda, Lithuania  
 T +370 46 355 494  
 F +370 46 355 493  
[www.techvitas.lt](http://www.techvitas.lt)


**LUXEMBOURG**  
**ACE STOSSDÄMPFER GMBH**

Albert-Einstein-Straße 15, 40764 Langenfeld, Germany  
 T +32 11-960736  
 F +32 11-960737  
[www.ace-ace.com](http://www.ace-ace.com)  
 (distributors on request)


**NETHERLANDS**  
**ACE STOSSDÄMPFER GMBH**

Albert-Einstein-Straße 15, 40764 Langenfeld, Germany  
 T +31 165-714455  
 F +31 165-714456  
[www.ace-ace.com](http://www.ace-ace.com)  
 (distributors on request)


**NORWAY**  
**ACE STOSSDÄMPFER GMBH**

Albert-Einstein-Straße 15, 40764 Langenfeld, Germany  
 T +49 2173-9226-4100  
 F +49 2173-9226-89  
[www.ace-ace.com](http://www.ace-ace.com)

**HYDNET AB**  
 Turebergsvagen 5, 191 47 Sollentuna, Sweden  
 T +46 8 59 470 470  
 F +46 8 59 470 470  
[www.hydnet.se](http://www.hydnet.se)


**PAKISTAN**  
**JJ HYDRAULIC PNEUMATIC**

**SYSTEMS (PVT) LTD.**  
 41 # Old Ralli Building, Talpur Road,  
 Off, I I Chundrigar Road, Karachi – 74000, Pakistan  
 Dir no. 0092 0333 2229606  
 T +92 21 32426486 / 32426516  
 F +92 21 32416807


**POLAND**  
**BIBUS MENOS SP. Z.O.O.**

ul. Spadochroniarzy 18, 80-298 Gdańsk, Poland  
 T +48 58 660 95 70  
 F +48 58 661 71 32  
[www.bibusmenos.pl](http://www.bibusmenos.pl)  
 (not distributor for gas springs and HB dampers)

**Gas spring & HB damper specialists:**  
**F.H.U. ELMATIC S.C.**  
 ul. Marii Skłodowskiej - Curie 73 A  
 87-100 Toruń, Poland  
 T / F +48 56 659 16 81  
 T +48 56 659 15 49, +48-56 653 98 10  
[www.elmatic.com.pl](http://www.elmatic.com.pl)


**PORTUGAL**  
**AIRCONTROL INDUSTRIAL S.L.**

Alameda Fernao Lopes 31A, Torre 2 - Miraflores  
 1495-136 Alges (Lisboa), Portugal  
 T +351 21 410 13 57  
 F +351 21 410 56 08  
[www.aircontrol.es](http://www.aircontrol.es)


**ROMANIA**  
**BIBUS SES S.R.L.**

134/1 Calea Lugojului, 307200 Ghiroda, Timis, Romania  
 T +40 356 446 500  
 F +40 356 446 660  
[www.bibus.ro](http://www.bibus.ro)  
 (not distributor for gas springs and HB dampers)

**Gas spring & HB damper specialists:**  
**D.C. COMPANY S.R.L.**  
 Dragos Voda nr. 43, 300351 Timisoara, Romania  
 T +40 722 145 213  
 F +40 356 800 513  
[www.ewarehouse.ro](http://www.ewarehouse.ro)


**RUSSIA**  
**BIBUS O.O.O.**

Str Zemskaja 94, 198205 St. Petersburg, Russia  
 T/F +7 812 309 41 51  
 T +7 800 100 14 52  
[www.bibus.ru](http://www.bibus.ru)  
 (not distributor for gas springs and HB dampers)

**Gas spring & HB damper specialists:**  
**TEHINNOVATION O.O.O.**  
 Krasnodonskaya street 19, building 2, office 17  
 109386 Moscow, Russia  
 T +7 495 222 06 01  
 F +7 499 786 42 56  
[www.tehinnovation.ru](http://www.tehinnovation.ru)


**SERBIA**  
**BIBUS DOO**

Karadordeva, 76311 Dvorovi – Bijeljina  
 Bosnia and Herzegovina  
 T +387 55 423 444  
 F +387 55 423 444  
[www.bibus.ba](http://www.bibus.ba)  
 (not distributor for gas springs and HB dampers)

**For gas springs & HB dampers:**  
**ACE STOSSDÄMPFER GMBH**  
 Albert-Einstein-Straße 15, 40764 Langenfeld, Germany  
 T +49 2173-9226-4100  
 F +49 2173-9226-89  
[www.ace-ace.com](http://www.ace-ace.com)


**SLOVAKIA**  
**BIBUS SK S.R.O.**

Trnavska cesta, 94901 Nitra, Slovakia  
 T +421 37 77 77 950  
 F +421 37 77 77 969  
[www.bibus.sk](http://www.bibus.sk)  
 (not distributor for gas springs and HB dampers)

**Gas spring & HB damper specialists:**  
**PNEUTRADE S.R.O.**  
 Rybárska 8, 949 01 Nitra, Slovakia  
 T +421 37 65 24 338  
 F +421 37 65 55 933  
[www.pneutrade.sk](http://www.pneutrade.sk)


**SLOVENIA**  
**INOTEH D.O.O.**

K Zeleznici 7, 2345 Bistrica ob Dravi, Slovenia  
 T +386 (0)2 665 1131  
 F +386 (0)2 665 2081  
[www.inoteh.si](http://www.inoteh.si)  
 (not distributor for gas springs and HB dampers)

**For gas springs & HB dampers:**  
**ACE STOSSDÄMPFER GMBH**  
 Albert-Einstein-Straße 15, 40764 Langenfeld, Germany  
 T +49 2173-9226-4100  
 F +49 2173-9226-89  
[www.ace-ace.com](http://www.ace-ace.com)


**SOUTH AFRICA**  
**PNEUMARK CONTROLS**

94A Crompton Street, Pinetown 3610, South Africa  
 T +27 31 701 0421  
 F +27 86 551 2026  
[www.pneumark.co.za](http://www.pneumark.co.za)


**SPAIN**  
**AIRCONTROL INDUSTRIAL S.L.**

Paseo Sarroeta 4  
 20014 Donostia-San Sebastian, Spain  
 T +34 943 44 50 80  
 F +34 943 44 51 53  
[www.aircontrol.es](http://www.aircontrol.es)


**SWEDEN**  
**HYDNET AB**

Turebergsvagen 5, 191 47 Sollentuna, Sweden  
 T +46 8 59 470 470  
 F +46 8 59 470 479  
[www.hydnet.se](http://www.hydnet.se)


**SWITZERLAND**  
**BIBUS AG**

Allmendstrasse 26, 8320 Fehraltorf, Switzerland  
 T +41 44-877 50 11  
 F +41 44-877 58 51  
[www.bibus.ch](http://www.bibus.ch)  
 (not distributor for gas springs and HB dampers)

**For gas springs & HB dampers:**  
**ACE STOSSDÄMPFER GMBH**  
 Albert-Einstein-Straße 15, 40764 Langenfeld, Germany  
 T +49 2173-9226-4100  
 F +49 2173-9226-89  
[www.ace-ace.com](http://www.ace-ace.com)


**TURKEY**
**BIBUS OTOMASYON SAN. VE TIC.LTD.STI.**

Ziya Gökalp Mh. Bedrettin Dalan Bulv.  
 VIP Plaza No:43-44 İkitelli  
 Başakşehir / İstanbul, Turkey  
 T +90-212 293 82 00  
 F +90-212 249 88 34  
[www.bibus.com.tr](http://www.bibus.com.tr)  
 (not distributor for gas springs and HB dampers)

**Gas spring & HB damper specialists:**  
**POVVER PNÖMATİK A.S.**  
 Necatibey Cad. No:44 Kat:2  
 34425 Karaköy/İstanbul, Turkey  
 T +90 212 293 88 70  
 F +90 212 293 68 77  
[www.powerpnomatik.com](http://www.powerpnomatik.com)


**UKRAINE**  
**BIBUS UKRAINE TOV**

1B, Kyivs'ka Str., Tarasivka  
 08161 Kyiv region, Ukraine  
 T +380 44 545 44 04  
 F +380 44 545 54 83  
[www.bibus.ua](http://www.bibus.ua)  
 (not distributor for gas springs and HB dampers)

**For gas springs & HB dampers:**  
**ACE STOSSDÄMPFER GMBH**  
 Albert-Einstein-Straße 15, 40764 Langenfeld, Germany  
 T +49 2173-9226-4100  
 F +49 2173-9226-89  
[www.ace-ace.com](http://www.ace-ace.com)

## ACE Germany

The shortest way to the perfect shock absorber



### ACE Stoßdämpfer GmbH

PO Box 1510  
40740 Langenfeld

Albert-Einstein-Straße 15  
40764 Langenfeld

Germany

T +49 (0)2173 - 9226-10

F +49 (0)2173 - 9226-19



[info@ace-int.eu](mailto:info@ace-int.eu)

[www.ace-ace.de](http://www.ace-ace.de)

## ACE distributor for Spain and Portugal:



### **Aircontrol industrial, S.L.**

Paseo Sarroeta, 4

E-20014 Donostia - San Sebastián - Gipuzkoa SPAIN

T. +34 943445080 | F. +34 943445153

**E-mail: [info@aircontrol.es](mailto:info@aircontrol.es)**

**<http://www.aircontrol.es>**