



# UMO

## Universal Mounts

### Universal connection isolators

**UMOs (universal mounts) are two-part isolators for connecting machines or plants with bordering components, such as cabins or housings.**

The UMOs can be installed in any spatial position and effectively decouple two components from each other. A galvanised metal limiting sleeve is vulcanised into the elastomer cylinders. The UMOs can be used within the wide temperature range of  $-30^{\circ}\text{C}$  to  $+80^{\circ}\text{C}$ .

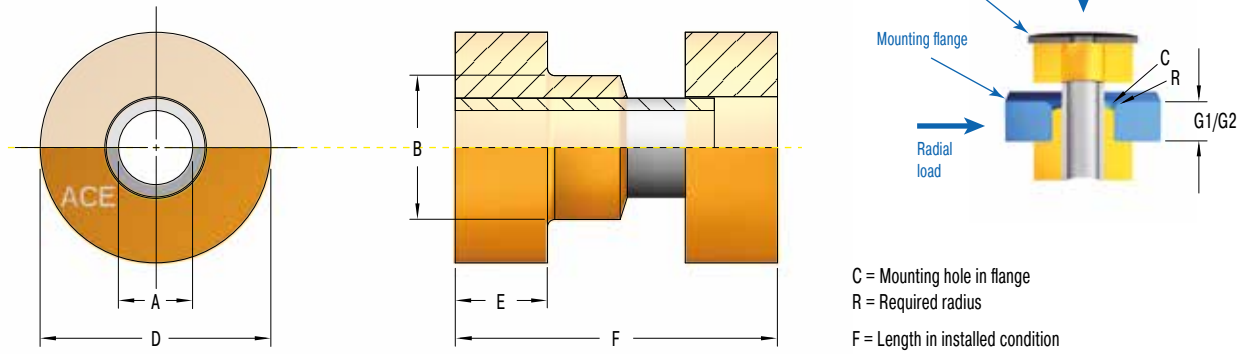
#### Properties

- Can be installed in all spatial axes  
Can be used for shear, compressive and tensile loads
- Simple design
- Fail-safe with the use of stop washers
- All metal parts galvanised (ROHS compliant)
- Rubber part made of neoprene (chloroprene rubber), silicone available on request
- Operating temperature range  $-30^{\circ}\text{C}$  to  $+80^{\circ}\text{C}$

#### Areas of application

- Machinery and equipment
- Conveying systems
- Compressors
- Generators
- Shipbuilding
- Construction machines
- Agricultural machines
- Off-road vehicles
- Transport industry

## UMO-600xx



Type	A mm	B mm	C mm	D mm	E mm	F mm	G1 mm	G2 mm	R mm
UMO-60011 - 60015	9.9	19.8	19.0	31.8	12.7	31.8	9.4		0.75
UMO-60021 - 60025	13.5	33.3	31.8	47.5	19.8	49.3	12.7	14.2	1.5
UMO-60031 - 60035	16.3	39.4	38.1	64.3	22.9	62.2	19.1	22.4	2.0
UMO-60041 - 60045	23.9	58.4	57.2	88.9	25.4	73.2	25.4	28.0	3.0
UMO-60051 - 60055	26.9	64.8	63.5	124.0	31.8	85.9	25.4	28.4	3.0

Type	Colour Code*	Shore (+5)	Load with plate thickness G1				Load with plate thickness G2			
			axial kg	radial kg	fe Hz	T1 Nm	axial kg	radial kg	fe Hz	T2 Nm
UMO-60011	yellow	35	20	10	15	10				
UMO-60012	red	45	40	15	15	10				
UMO-60013	green	55	65	20	15	10				
UMO-60014	blue	65	115	25	15	10				
UMO-60015	white	75	140	30	15	10				
UMO-60021	yellow	35	30	20	15	13	60	25	12	14
UMO-60022	red	45	55	40	15	13	80	30	12	14
UMO-60023	green	55	75	60	15	13	110	40	12	14
UMO-60024	blue	65	120	80	15	13	175	75	12	14
UMO-60025	white	75	175	130	15	13	285	125	12	14
UMO-60031	yellow	35	40	30	15	19	95	40	11	22
UMO-60032	red	45	70	50	15	19	160	65	11	22
UMO-60033	green	55	105	75	15	19	220	100	11	22
UMO-60034	blue	65	150	110	15	19	390	175	11	22
UMO-60035	white	75	230	165	15	19	600	315	11	22
UMO-60041	yellow	35	70	50	15	25	125	60	10	28.6
UMO-60042	red	45	140	100	15	25	230	105	10	28.6
UMO-60043	green	55	180	140	15	25	350	155	10	28.6
UMO-60044	blue	65	230	180	15	25	530	265	10	28.6
UMO-60045	white	75	365	265	15	25	950	440	10	28.6
UMO-60051	yellow	35	140	70	15	25	515	110	10	32
UMO-60052	red	45	230	100	15	25	875	155	10	32
UMO-60053	green	55	320	140	15	25	1170	275	10	32
UMO-60054	blue	65	410	215	15	25	1600	400	10	32
UMO-60055	white	75	545	300	15	25	2065	640	10	32

\* The colour code is for identifying the loading capacity. The products are marked in colour accordingly.