



## LEV

### Levelling Mounts

#### Height-adjustable machine feet

**Height-adjustable machine feet from the LEV product group are maintenance-free and ready-for-installation.**

**The precise, adjustable LEV machine feet are used whenever machines require an adjustable, stable positioning.**

Their function ensures the secure positioning of machinery and equipment, protecting them against damaging shocks and vibrations. LEV machine feet can be supplied in different sizes, from M10 to M24 threads, and can secure and bear loads in these sizes from 45 to 5,900 kg.

The selection of suitable machine feet is simply made via the given mass of the machine or plant distributed among the desired support points. A weight distribution within the system must be considered in such a way that the feet are also measured with the associated load component. If additional dynamic loads are exerted by the machine or plant, the next largest type must be chosen in a borderline static load case.

The mounts meet OSHA requirements for anchoring machines.

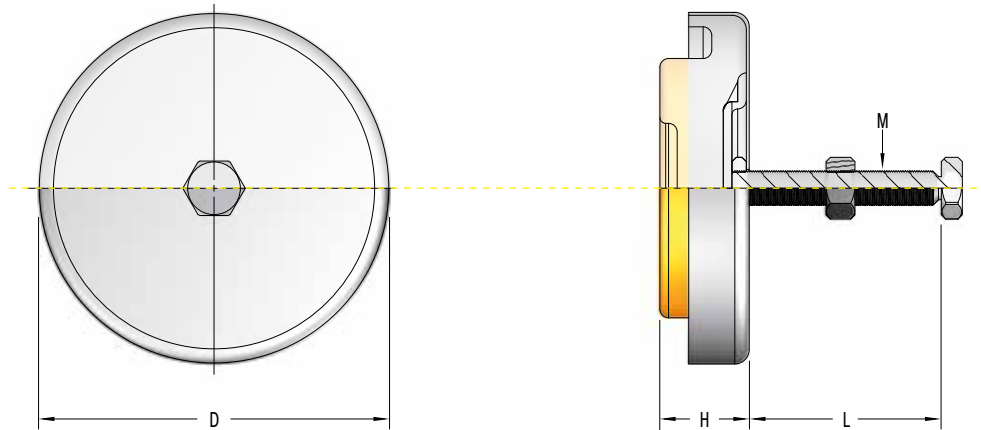
#### Properties

- Easy to level
- Vibration-reducing
- Noise-reducing
- Improved product quality
- Maintenance-free
- Compensates for floor unevenness
- Special models available on request
- Special vibration-isolating feet according to design and custom-made product
- All metal parts galvanised (ROHS compliant)
- Rubber part made of neoprene (chloroprene rubber)
- Operating temperature range -30 °C to +80 °C

#### Areas of application

- Injection moulding machines
- Conveyors
- Production and processing centres
- Assembly stations
- Small presses, etc.

## LEV M10 to M24



Type	Min. Load kg	Max. Load kg	Natural Frequency Range Hz	M	L mm	D mm	H mm
<a href="#">LEV-52221-M10</a>	45	230	8 - 24	M10x1.5	80	80	38
<a href="#">LEV-52224-M12</a>	135	450	8 - 24	M12x1.75	130	120	38
<a href="#">LEV-52226-M20</a>	230	2040	8 - 24	M20x2.5	130	160	41
<a href="#">LEV-52229-M24</a>	1815	5900	8 - 24	M24x3.0	180	230	57

Standard delivery with hexagon nut

### Installation sketch

