

COM

Compression Mounts

Pre-tensioned high-performance bearing surfaces

The COM compression mounts are high-performance bearing surface elements for isolating machines and plants. These extremely rugged elastomer bearing surfaces are primarily used in heavy-duty applications, such as in pumps and compressors.

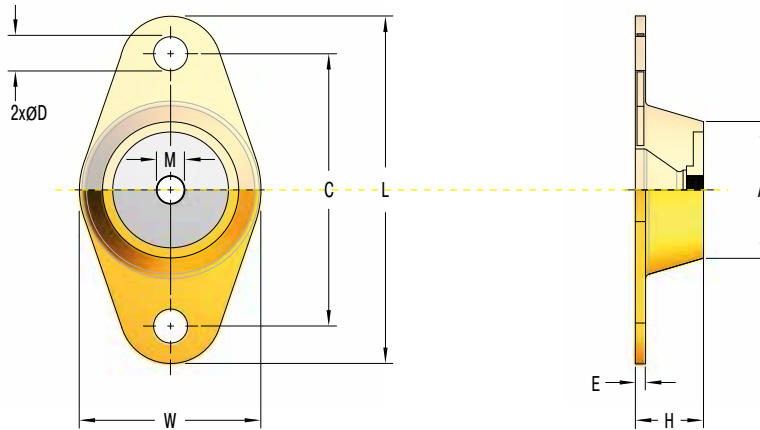
In their operating range, the COMs exhibit a low natural frequency of approx. 8 to 15 Hz and can when necessary be coupled for certain applications, whereby the natural system frequency can be further reduced to approx. 6 to 10 Hz (please refer to the selection diagram for more exact data). They are often used in situations in which unbalanced machine parts cause shocks and vibrations which can have a negative impact on the surrounding area. Disturbance frequencies from 900 min⁻¹ (15 Hz) are effectively isolated. Through the use of the high-performance bearing surfaces, structure-borne noise paths become interrupted, preventing the generation of resonant sound.

Properties

- Pre-tensioned to enhance efficiency
- Isolates structure-borne noise
- Low-frequency application range from about 15 Hz
- Rugged
- Maintenance-free
- All metal parts galvanised (ROHS compliant)
- Rubber part made of neoprene (chloroprene rubber)
- Operating temperature range -30 °C to +80 °C

Areas of application

- Centrifuges
- Blowers
- Vibrators and crusher plants
- Compressors and ventilation systems
- Injection moulding systems
- Switch cabinets
- Military and off-road vehicles



COM-5250x / COM-5252x / COM-5254x



Type	Colour Code*	Min. Load kg	Max. Load kg	M	L mm	W mm	H mm	A mm	C mm	D mm	E mm
COM-52501	blue	6.3	15.9	M8x1.25	79.4	44.5	25.4	31.8	60.3	8.7	4.8
COM-52502	black	8.2	20.4	M8x1.25	79.4	44.5	25.4	31.8	60.3	8.7	4.8
COM-52503	red	12.7	31.8	M8x1.25	79.4	44.5	25.4	31.8	60.3	8.7	4.8
COM-52504	green	21.8	54.4	M8x1.25	79.4	44.5	25.4	31.8	60.3	8.7	4.8
COM-52521	blue	24.5	61.2	M10x1.5	98.4	60.3	31.8	44.5	76.2	8.7	5.6
COM-52522	black	30.8	77.1	M10x1.5	98.4	60.3	31.8	44.5	76.2	8.7	5.6
COM-52523	red	43.6	108.9	M10x1.5	98.4	60.3	31.8	44.5	76.2	8.7	5.6
COM-52524	green	69.0	172.4	M10x1.5	98.4	60.3	31.8	44.5	76.2	8.7	5.6
COM-52525	grey	99.8	249.5	M10x1.5	98.4	60.3	31.8	44.5	76.2	8.7	5.6
COM-52541	black	45.4	113.4	M12x1.75	139.7	85.7	44.5	63.5	104.8	14.3	6.4
COM-52542	red	95.2	238.1	M12x1.75	139.7	85.7	44.5	63.5	104.8	14.3	6.4
COM-52543	green	136.1	340.2	M12x1.75	139.7	85.7	44.5	63.5	104.8	14.3	6.4
COM-52544	grey	199.6	499.0	M12x1.75	139.7	85.7	44.5	63.5	104.8	14.3	6.4

* The colour code is for identifying the loading capacity. The products are marked in colour accordingly.

COM-5251x / COM-5253x / COM-5255x

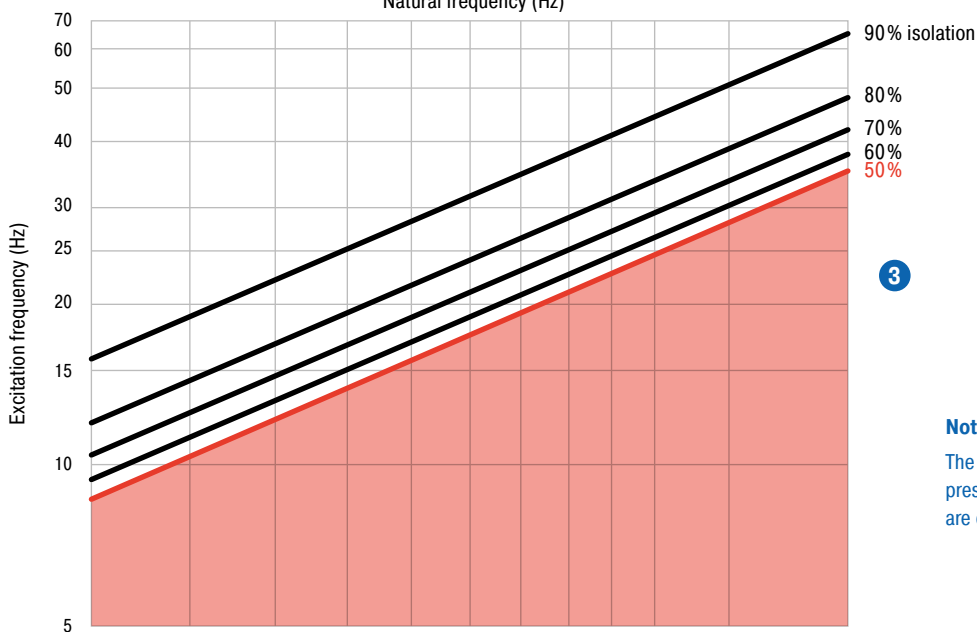
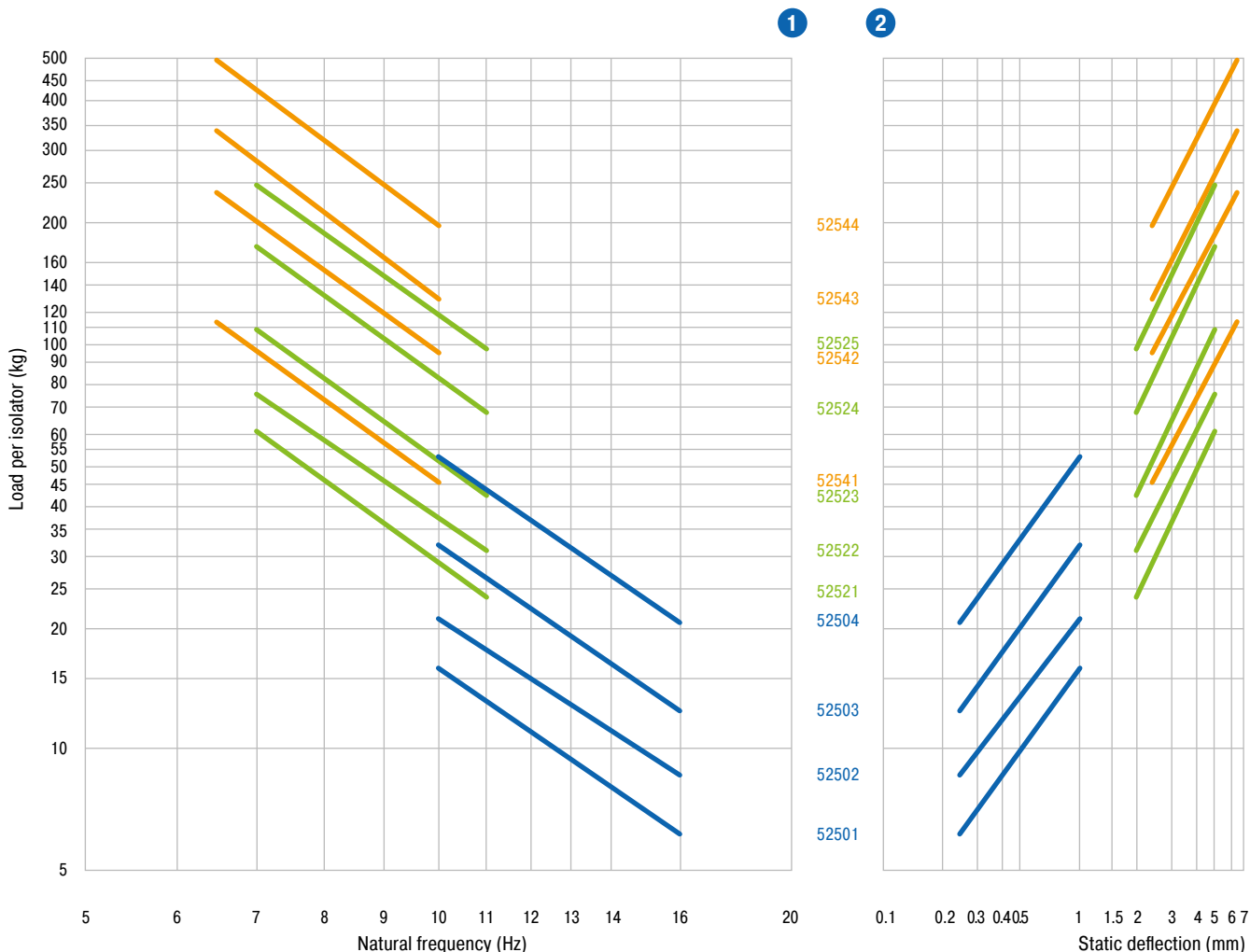


Type	Colour Code*	Min. Load kg	Max. Load kg	M	L mm	W mm	H mm	A mm	C mm	D mm	E mm
COM-52511	blue	6.3	15.9	M8x1.25	79.4	44.5	31.8	31.8	60.3	8.7	4.8
COM-52512	black	8.2	20.4	M8x1.25	79.4	44.5	31.8	31.8	60.3	8.7	4.8
COM-52513	red	12.7	31.8	M8x1.25	79.4	44.5	31.8	31.8	60.3	8.7	4.8
COM-52514	green	21.8	54.4	M8x1.25	79.4	44.5	31.8	31.8	60.3	8.7	4.8
COM-52531	blue	24.5	61.2	M10x1.5	98.4	60.3	44.5	44.5	76.2	8.7	5.6
COM-52532	black	30.8	77.1	M10x1.5	98.4	60.3	44.5	44.5	76.2	8.7	5.6
COM-52533	red	43.6	108.9	M10x1.5	98.4	60.3	44.5	44.5	76.2	8.7	5.6
COM-52534	green	69.0	172.4	M10x1.5	98.4	60.3	44.5	44.5	76.2	8.7	5.6
COM-52535	grey	99.8	249.5	M10x1.5	98.4	60.3	44.5	44.5	76.2	8.7	5.6
COM-52551	black	45.4	113.4	M12x1.75	139.7	85.7	73	63.5	104.8	14.3	6.4
COM-52552	red	95.2	238.1	M12x1.75	139.7	85.7	73	63.5	104.8	14.3	6.4
COM-52553	green	136.1	340.2	M12x1.75	139.7	85.7	73	63.5	104.8	14.3	6.4
COM-52554	grey	199.6	499.0	M12x1.75	139.7	85.7	73	63.5	104.8	14.3	6.4

* The colour code is for identifying the loading capacity. The products are marked in colour accordingly.



COM-5250x / COM-5252x / COM-5254x

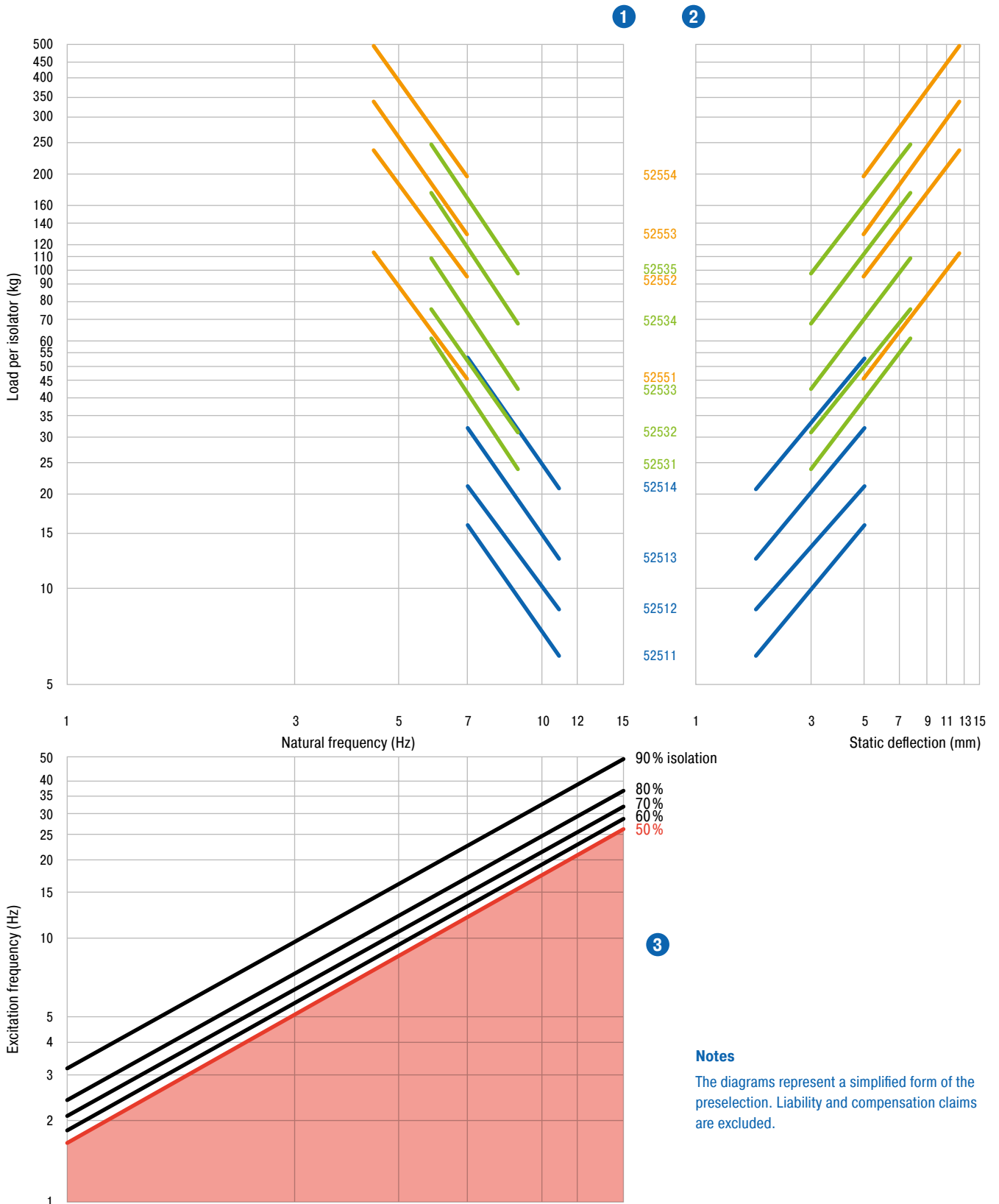


Notes

The diagrams represent a simplified form of the preselection. Liability and compensation claims are excluded.



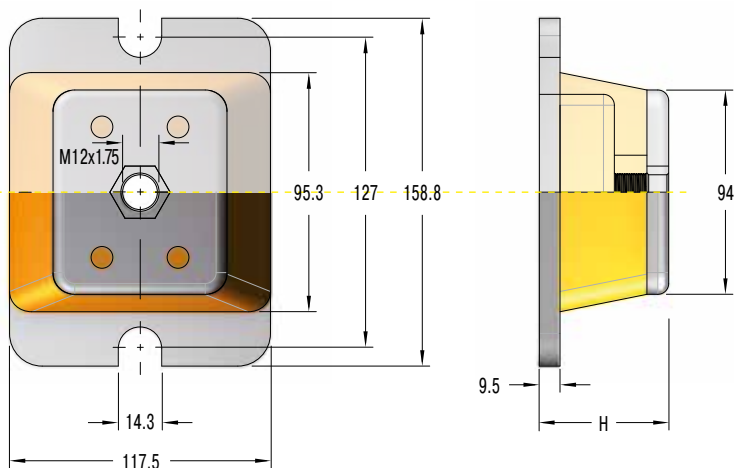
COM-5251x / COM-5253x / COM-5255x



Notes

The diagrams represent a simplified form of the preselection. Liability and compensation claims are excluded.

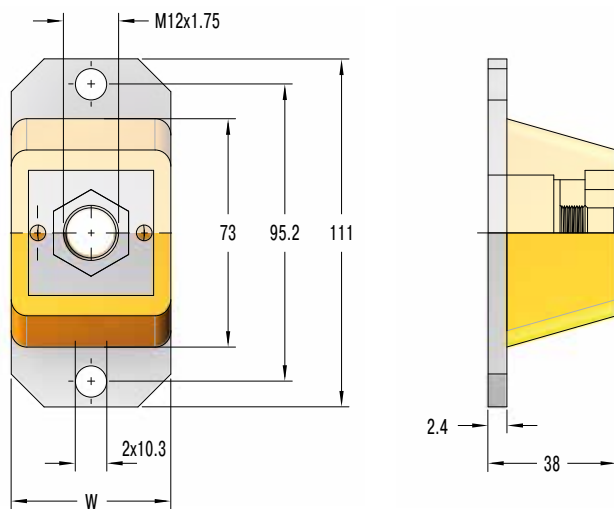
COM-5256x / COM-5257x



Type	Colour Code*	Min. Load kg	Max. Load kg	H mm
COM-52561	black	272.2	680.4	41.3
COM-52562	red	408.2	1020.6	41.3
COM-52563	green	544.3	1360.8	41.3
COM-52564	grey	725.8	1814.4	41.3
COM-52571	black	272.2	680.4	69.9
COM-52572	red	408.2	1020.6	69.9
COM-52573	green	544.3	1360.8	69.9
COM-52574	grey	725.8	1814.4	69.9

* The colour code is for identifying the loading capacity. The products are marked in colour accordingly.

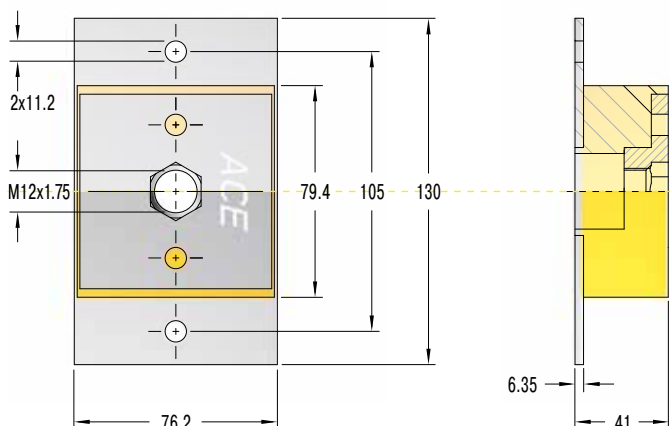
COM-5216x



Type	Colour Code*	Min. Load kg	Max. Load kg	W mm
COM-52160	yellow	10.9	27.2	50.8
COM-52161	red	18.2	45.4	50.8
COM-52162	green	27.2	68.0	50.8
COM-52163	blue	36.3	90.7	50.8
COM-52164	red	36.3	90.7	101.6
COM-52165	green	50.8	127.0	101.6
COM-52166	blue	90.7	226.8	101.6
COM-52167	white	127.0	317.5	101.6

* The colour code is for identifying the loading capacity. The products are marked in colour accordingly.

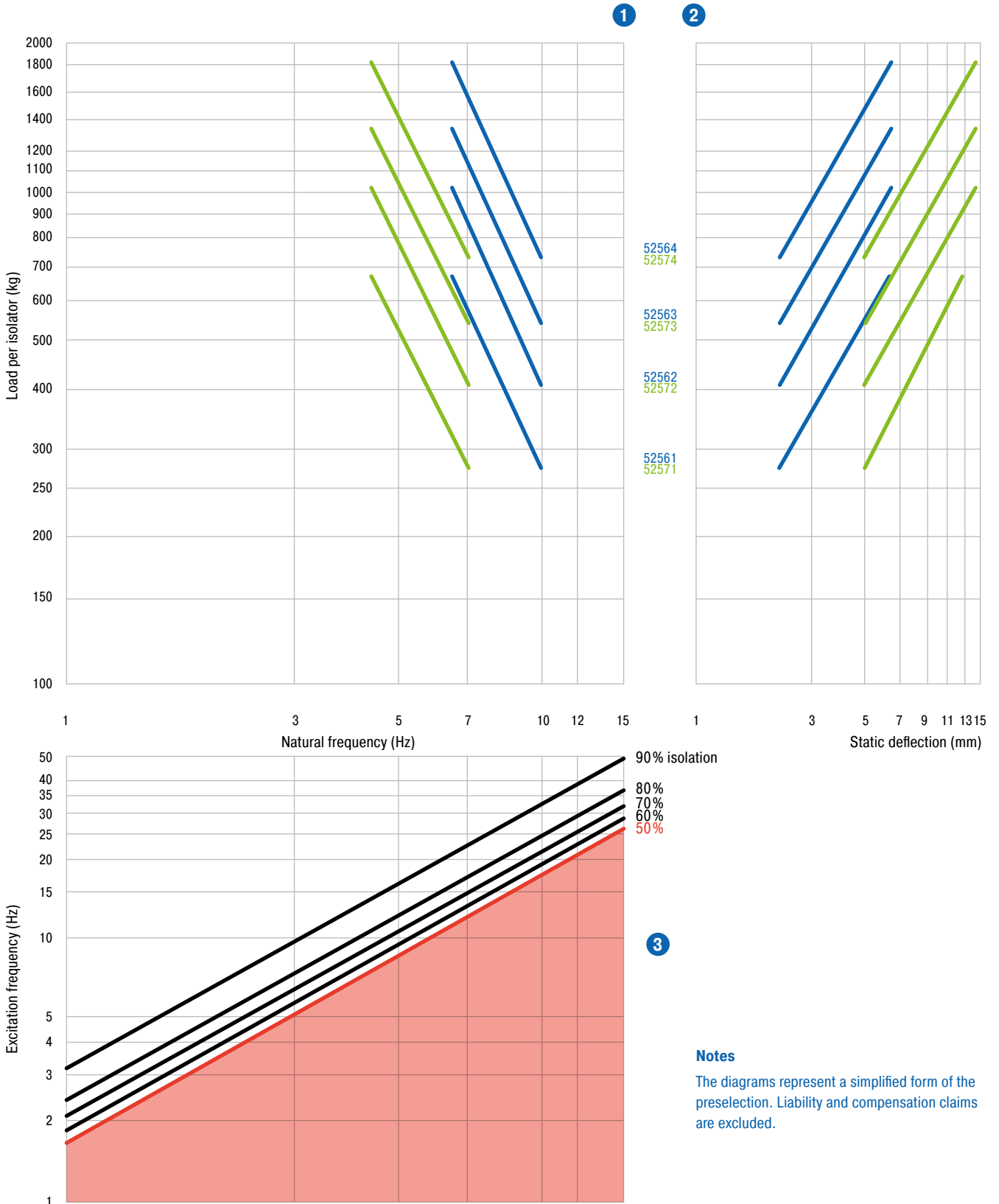
COM-5217x



Type	Colour Code*	Min. Load kg	Max. Load kg
COM-52171	red	127.0	317.5
COM-52172	green	181.4	453.6
COM-52173	blue	272.2	680.4
COM-52174	white	453.6	1134.0

* The colour code is for identifying the loading capacity. The products are marked in colour accordingly.

COM-5256x / 5257x



Notes

The diagrams represent a simplified form of the preselection. Liability and compensation claims are excluded.

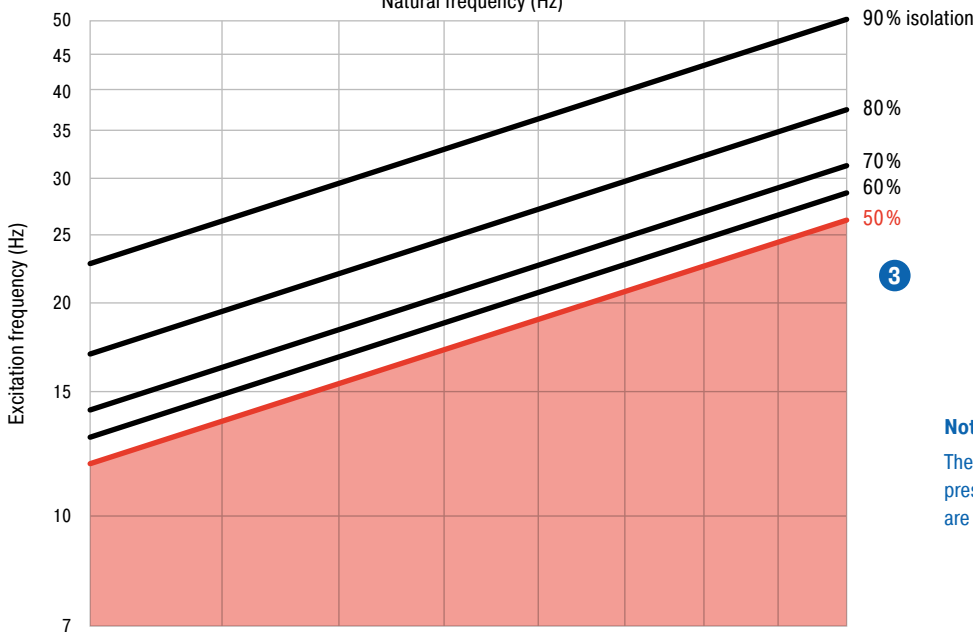
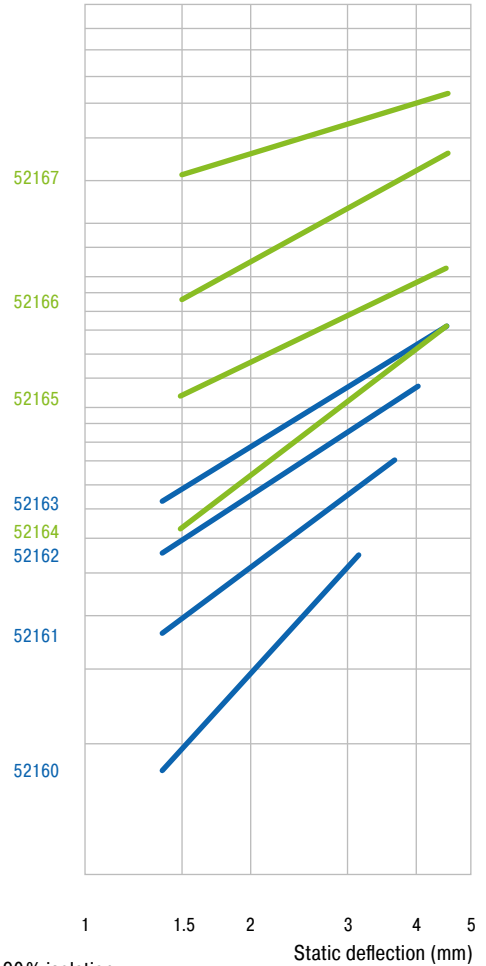
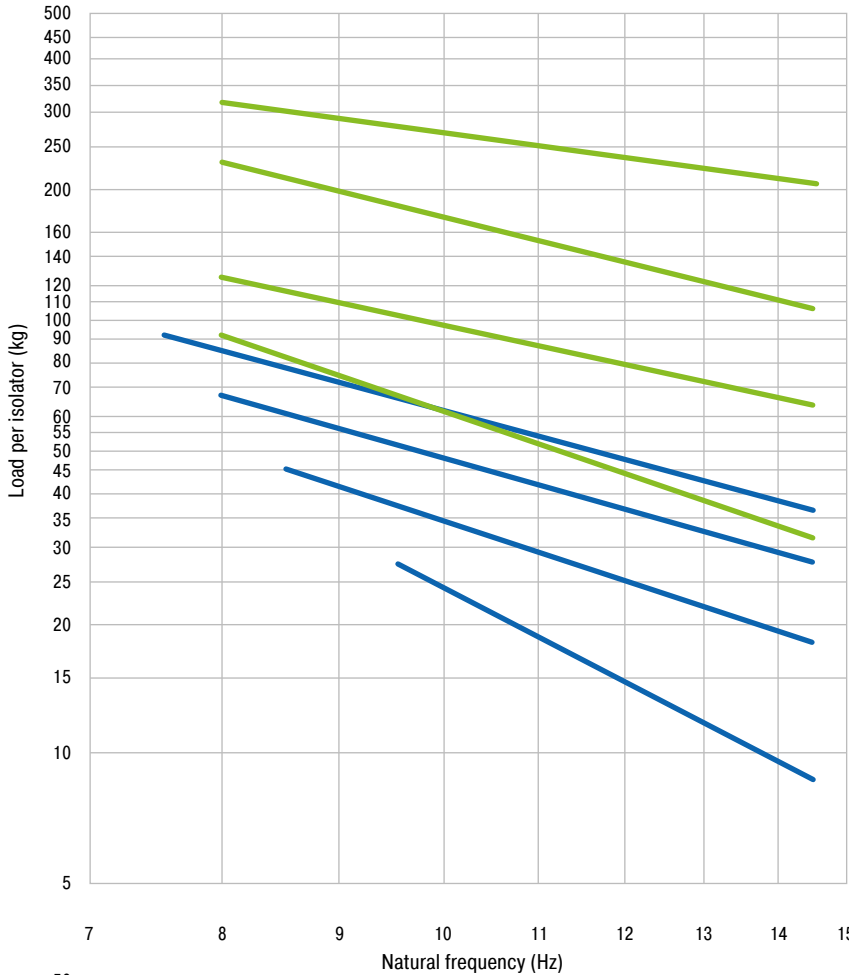
COM – Compression Mounts



COM-5216x

1

2



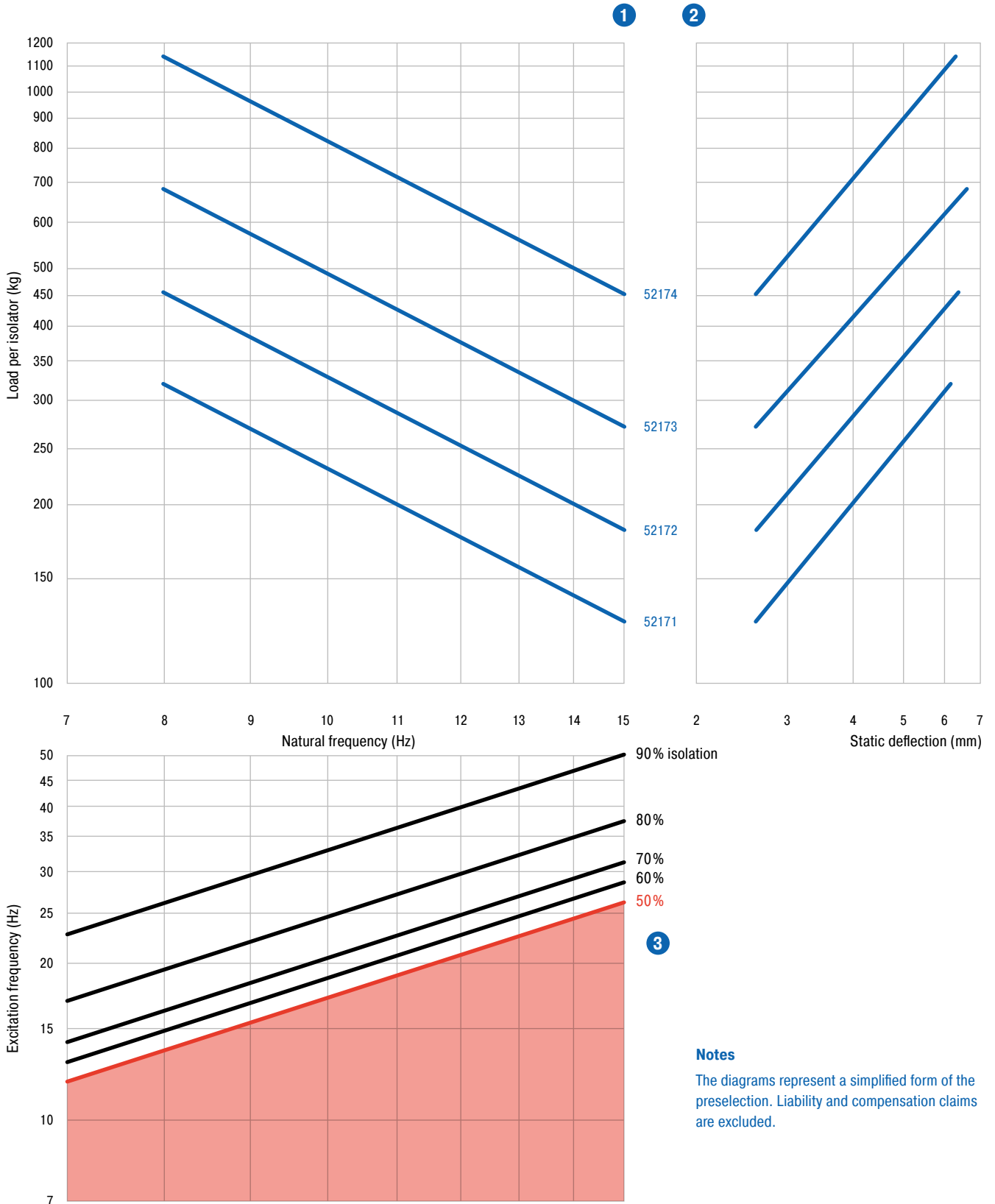
3

Notes

The diagrams represent a simplified form of the preselection. Liability and compensation claims are excluded.



COM-5217x



Notes

The diagrams represent a simplified form of the preselection. Liability and compensation claims are excluded.