

CR2

Square Mount Isolator

Diameter Cable 1.59 mm (1/16")



Features

- Rugged all metal construction
- Long life and maintenance free
- Three axis capability (6 dof)
- High damping: C/cc ≈ 0.15 to 0.20

Operating temperature range

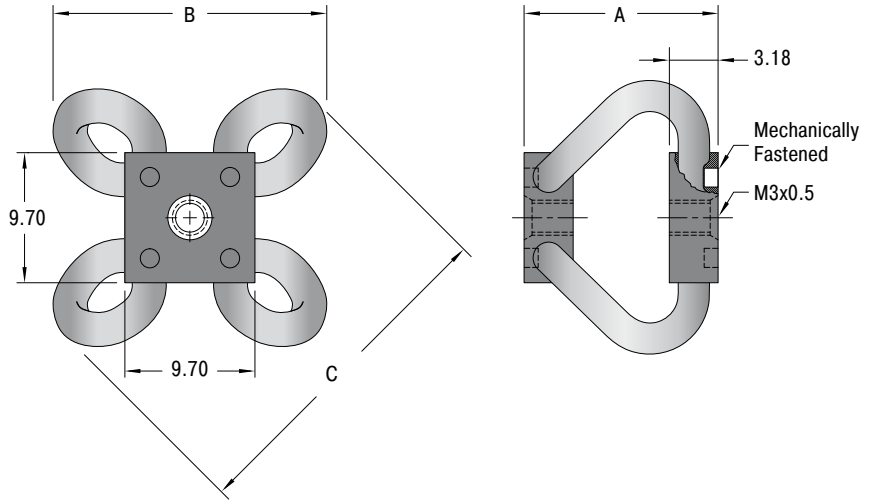
-130°C to +260°C

Material

Cable: 300 Series SS per MIL-W-83420 or RR-W-410
 Inserts: 300 Series SS per MS122076
 Retainer bars: 6063-T52 Aluminum alloy/chem film IAW MIL-C-5541, Class 1A

On request

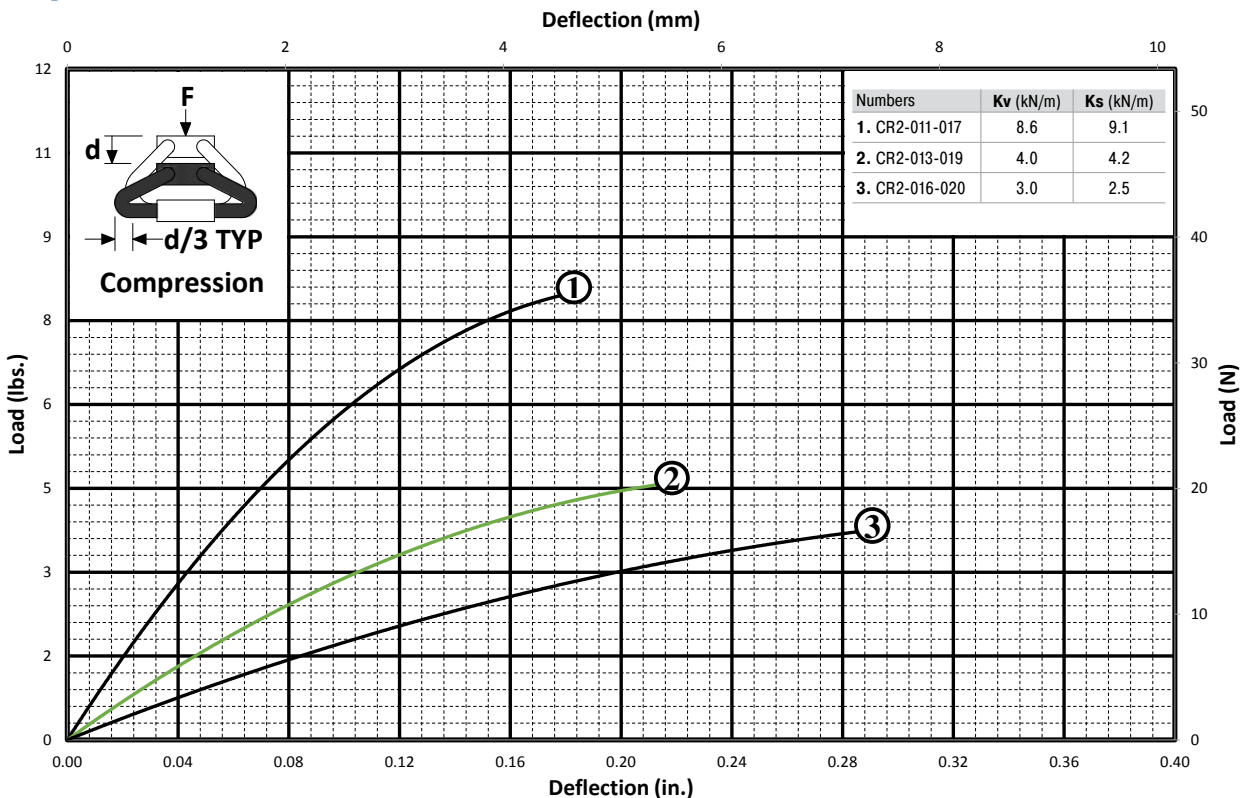
Special materials, size, mounting holes, finish, etc. available



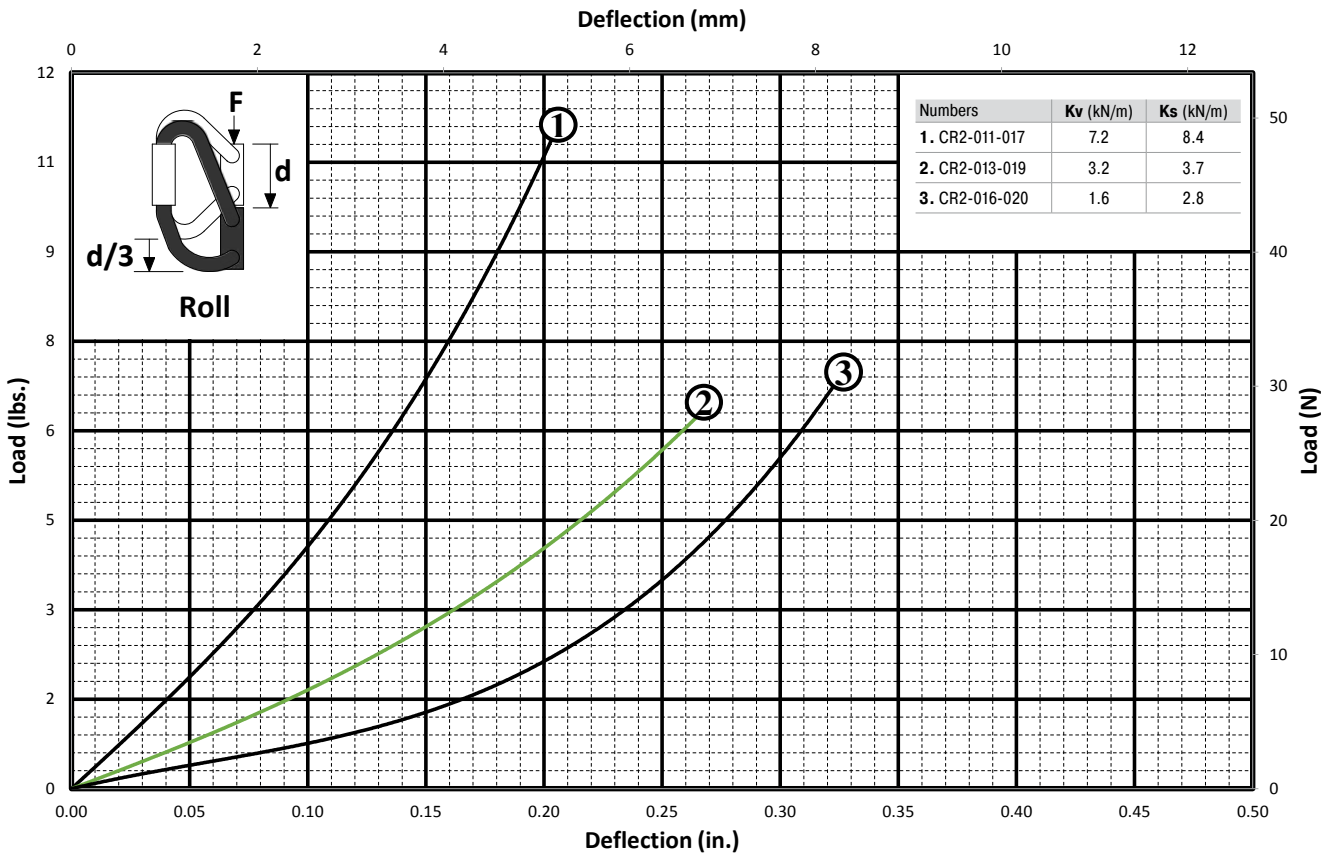
Performance

TYPES	A (+/- 0.8) mm	B mm	C mm	M	Compression		Roll		Compression/Roll		Weight kg
					Kv (Vibe) kN/m	Ks (Shock) kN/m	Kv (Vibe) kN/m	Ks (Shock) kN/m	Kv (Vibe) kN/m	Ks (Shock) kN/m	
CR2-011-017	11.2	17.3	22.1	M3x0.5	8.6	9.1	7.2	8.4	4.0	4.0	0.002
CR2-013-019	12.7	19.1	19.1	M3x0.5	4.0	4.2	3.2	3.7	1.9	1.8	0.002
CR2-016-020	15.7	20.3	25.4	M3x0.5	3.0	2.5	1.6	2.8	1.1	0.7	0.003

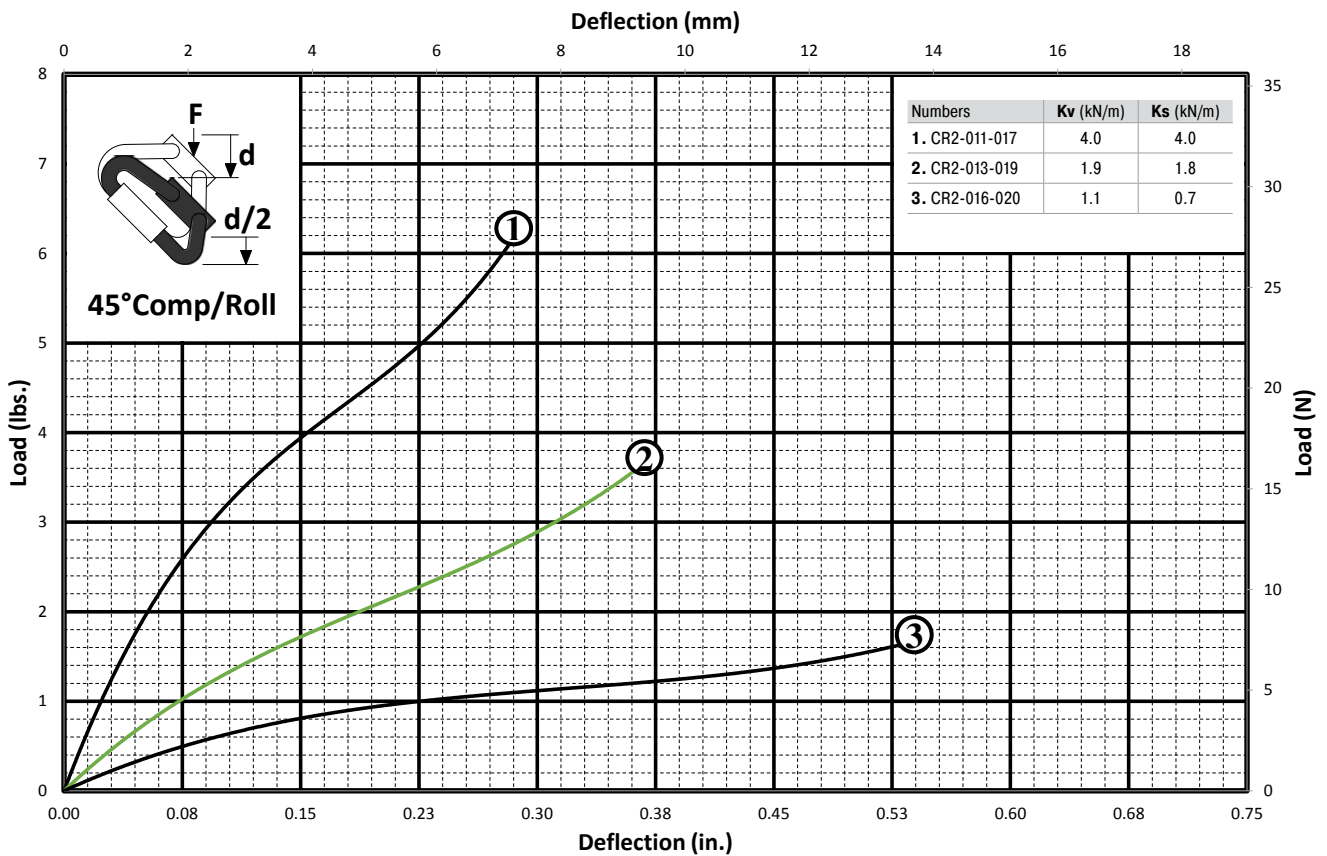
Compression



Roll



45° Compression/Roll



Issue 07.2020 – Specifications subject to change

CR3

Square Mount Isolator

2.38 mm (3/32") Diameter Cable



Features

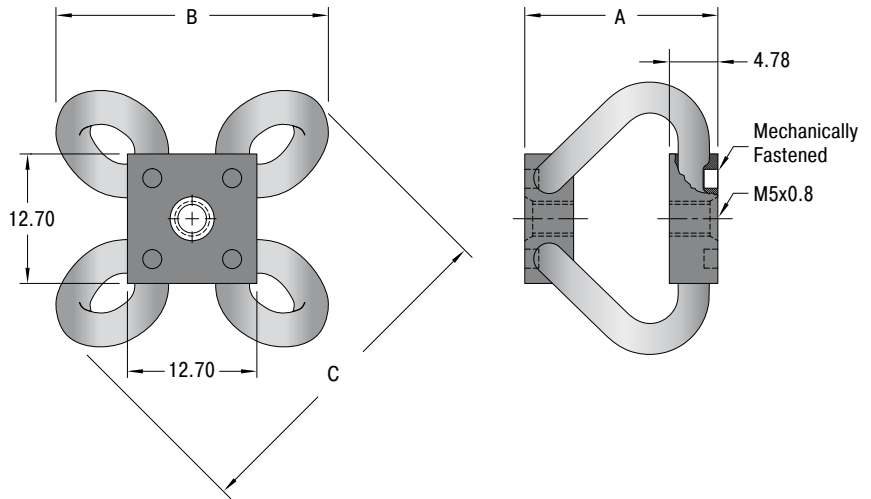
- Rugged all metal construction
- Long life and maintenance free
- Three axis capability (6 dof)
- High damping: $C/cc \approx 0.15$ to 0.20

Material

- Cable: 300 Series SS per MIL-W-83420 or RR-W-410
- Inserts: 300 Series SS per MS124655
- Retainer bars: 6063-T52 Aluminum alloy/chem film IAW MIL-C-5541, Class 1A

On request

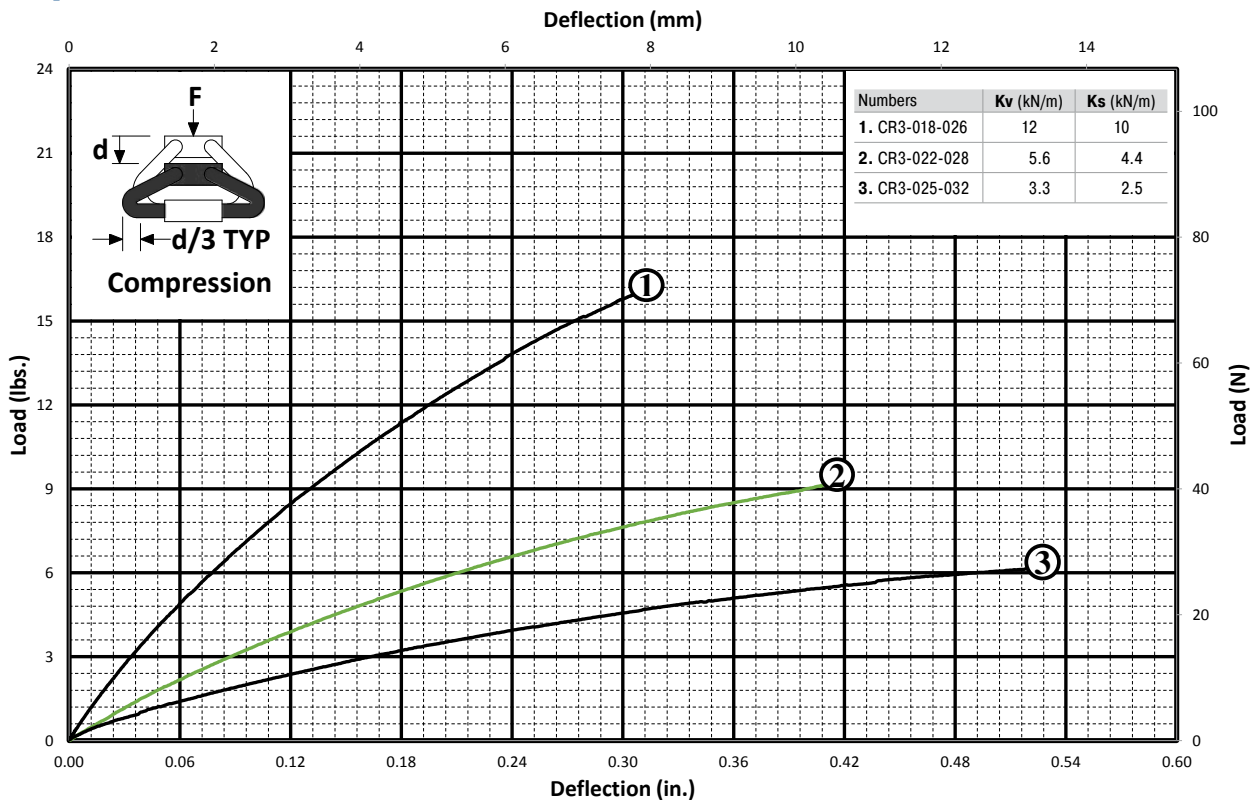
Special materials, size, mounting holes, finish, etc. available



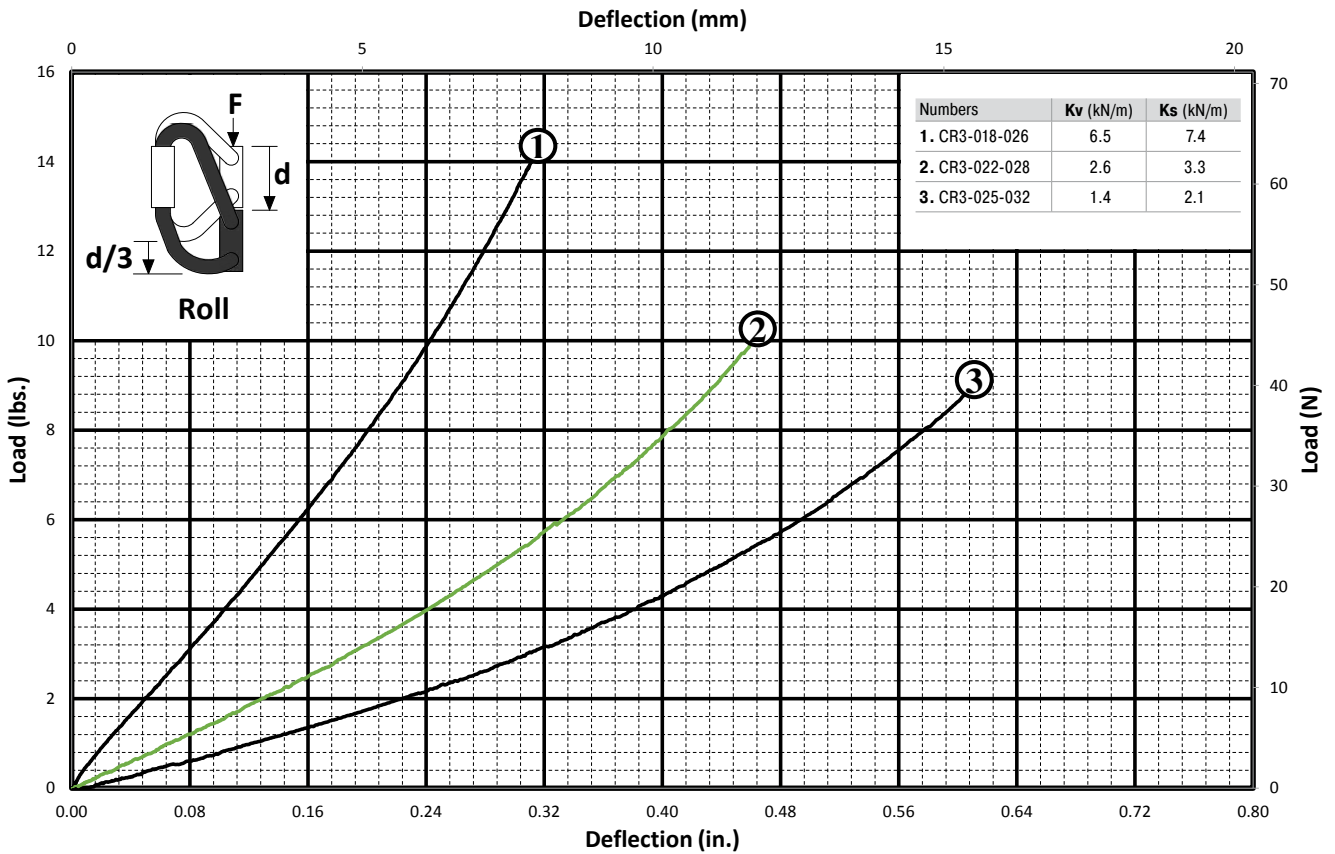
Performance

TYPES	A (+/- 0.8) mm	B mm	C mm	M	Compression		Roll		Compression/Roll		Weight kg
					Kv (Vibe) kN/m	Ks (Shock) kN/m	Kv (Vibe) kN/m	Ks (Shock) kN/m	Kv (Vibe) kN/m	Ks (Shock) kN/m	
CR3-018-026	17.8	25.9	33.5	M5x0.8	12	10	6.5	7.4	6.8	5.4	0.006
CR3-022-028	21.6	27.9	37.1	M5x0.8	5.6	4.4	2.6	3.3	3.7	2.6	0.007
CR3-025-032	25.4	31.8	40.9	M5x0.8	3.3	2.5	1.4	2.1	2.3	1.4	0.009

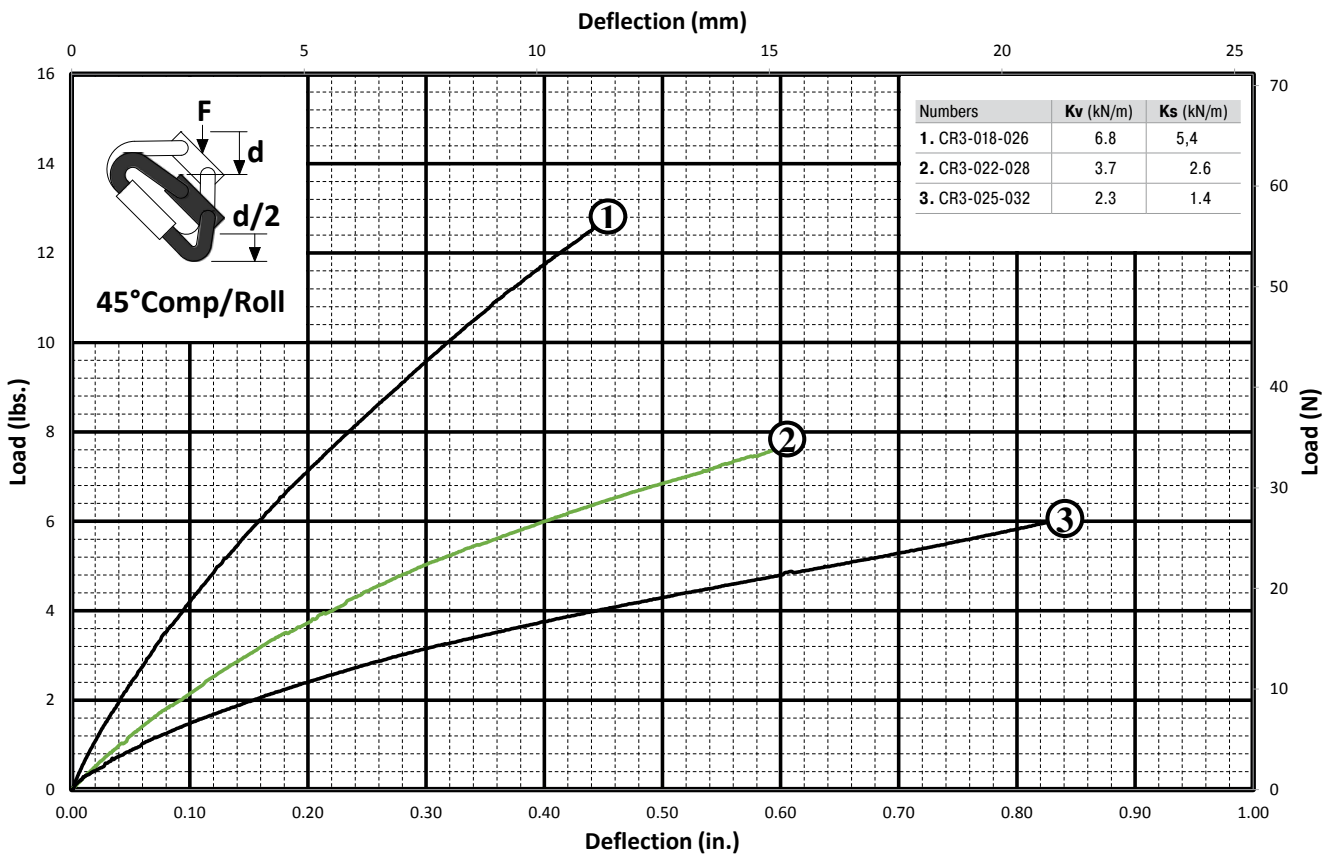
Compression



Roll



45° Compression/Roll



Issue 07.2020 – Specifications subject to change

CR4

Square Mount Isolator

3.18 mm (1/8") Diameter Cable



Features

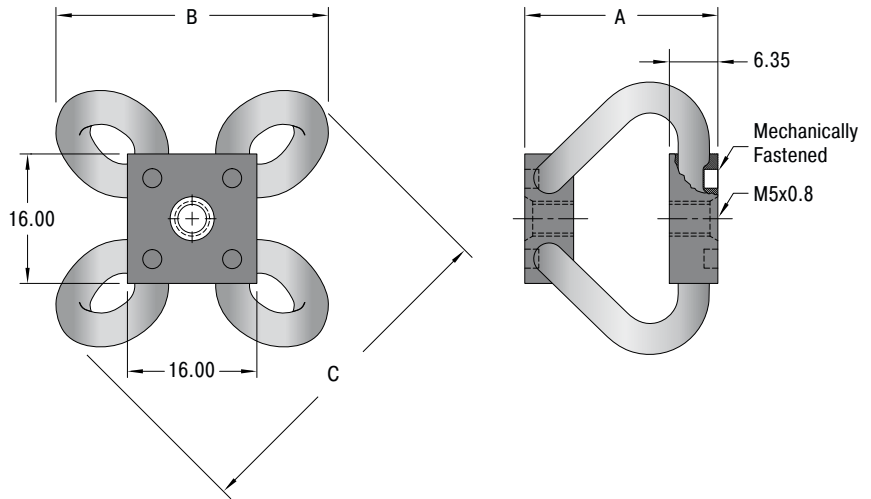
- Rugged all metal construction
- Long life and maintenance free
- Three axis capability (6 dof)
- High damping: C/cc ≈ 0.15 to 0.20

Material

- Cable: 300 Series SS per MIL-W-83420 or RR-W-410
- Inserts: 300 Series SS per MS124655
- Retainer bars: 6063-T52 Aluminum alloy/chem film IAW MIL-C-5541, Class 1A

On request

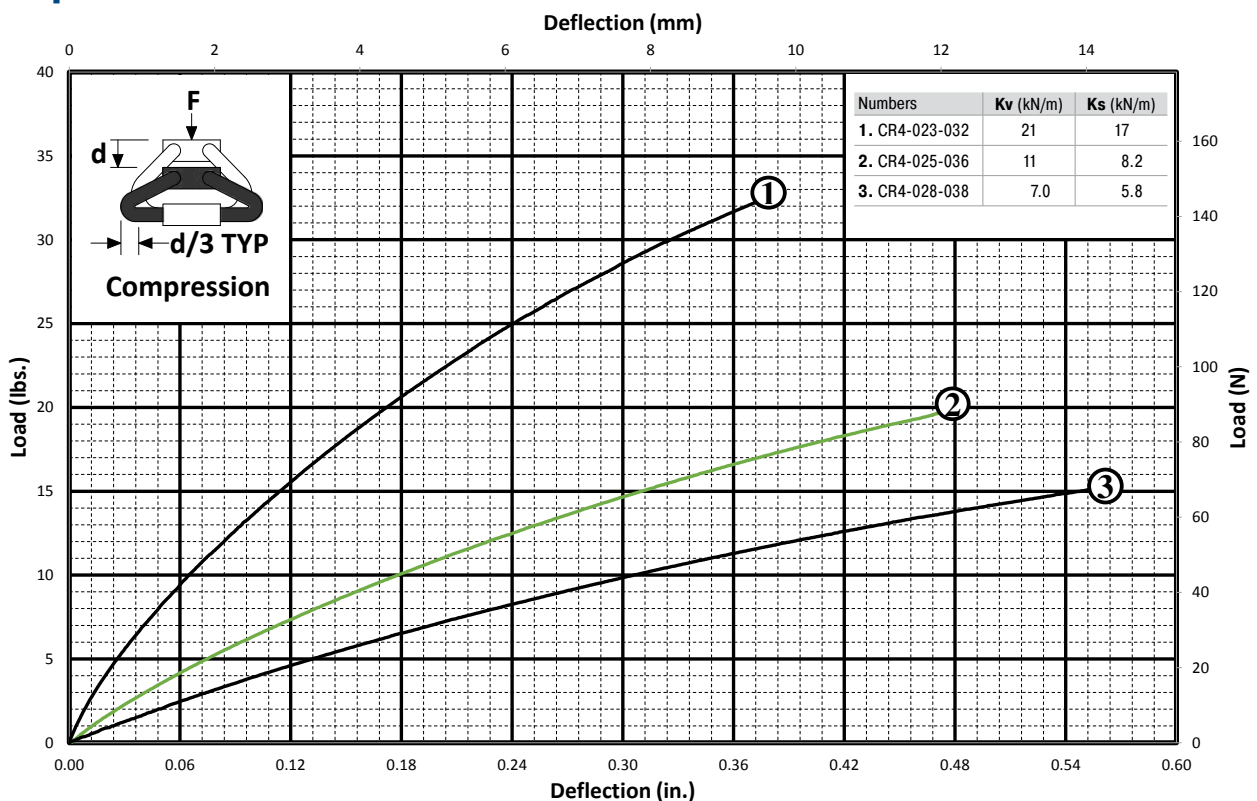
Special materials, size, mounting holes, finish, etc. available



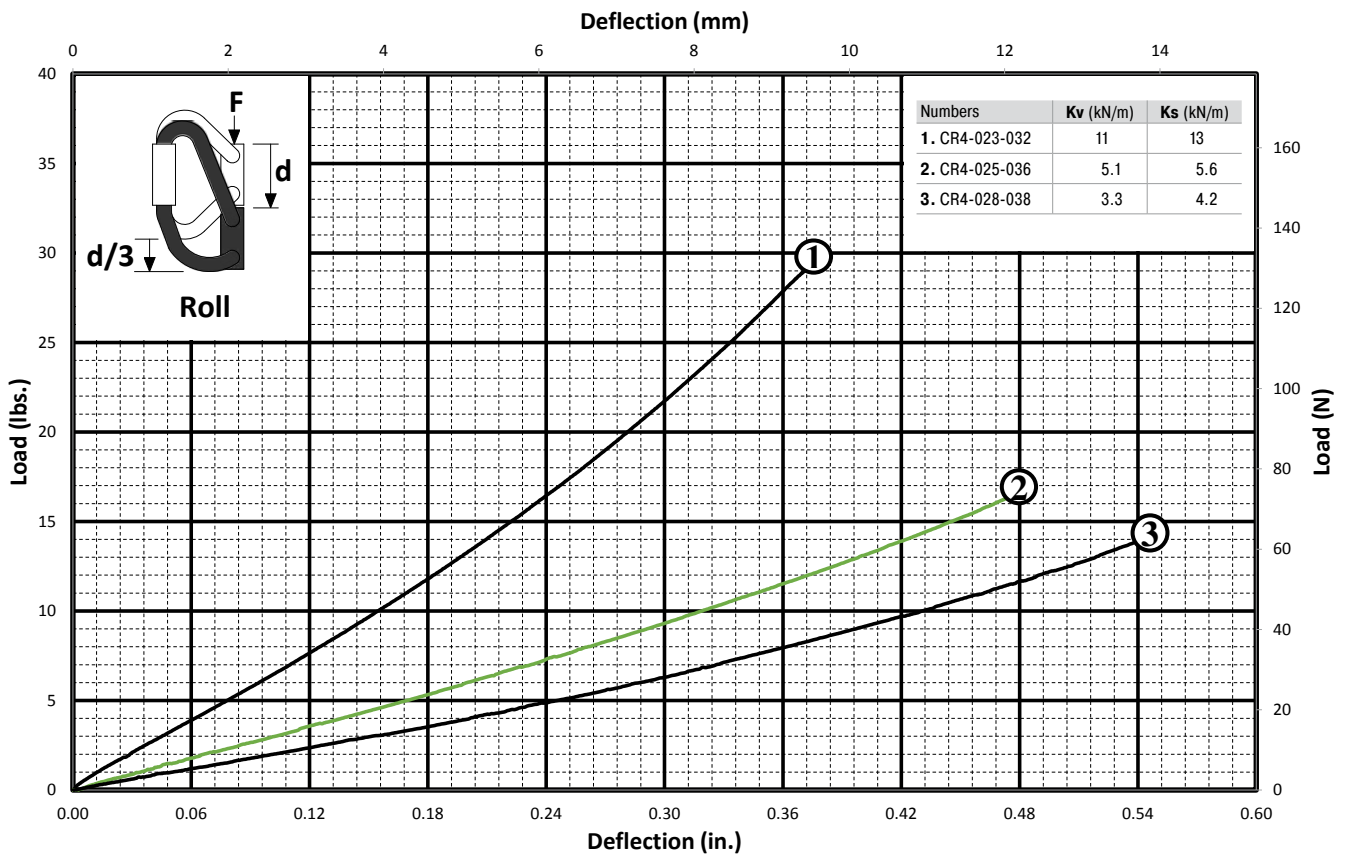
Performance

TYPES	A (+/- 0.8) mm	B mm	C mm	M	Compression		Roll		Compression/Roll		Weight kg
					Kv (Vibe) kN/m	Ks (Shock) kN/m	Kv (Vibe) kN/m	Ks (Shock) kN/m	Kv (Vibe) kN/m	Ks (Shock) kN/m	
CR4-023-032	22.9	32.0	41.1	M5x0.8	21	17	11	13	15	11	0.014
CR4-025-036	25.4	36.3	47.0	M5x0.8	11	8.2	5.1	5.6	8.1	6.3	0.015
CR4-028-038	27.9	38.4	50.0	M5x0.8	7.0	5.8	3.3	4.2	5.1	3.5	0.017

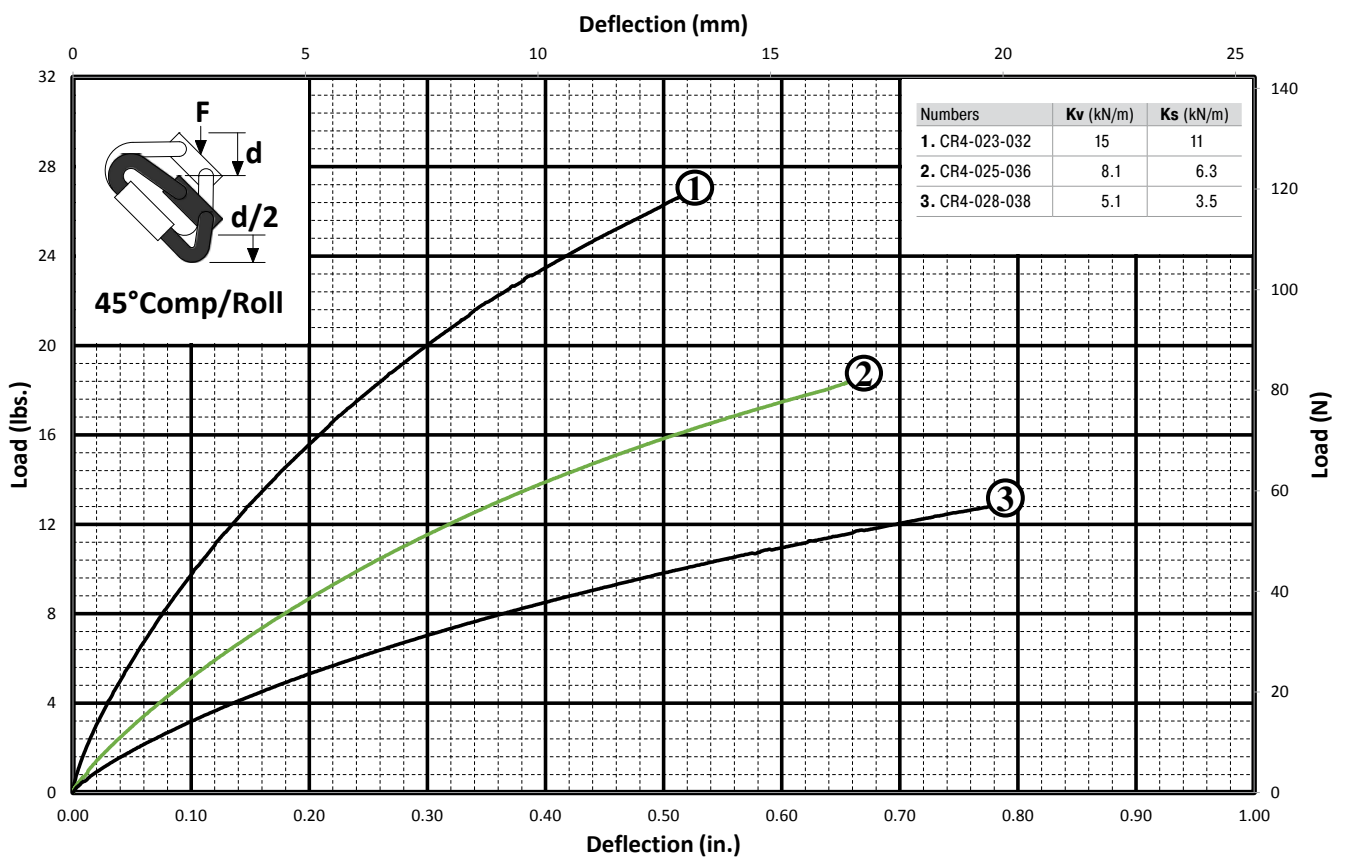
Compression



Roll



45° Compression/Roll



CR5

Square Mount Isolator

3.97 mm (5/32") Diameter Cable



Features

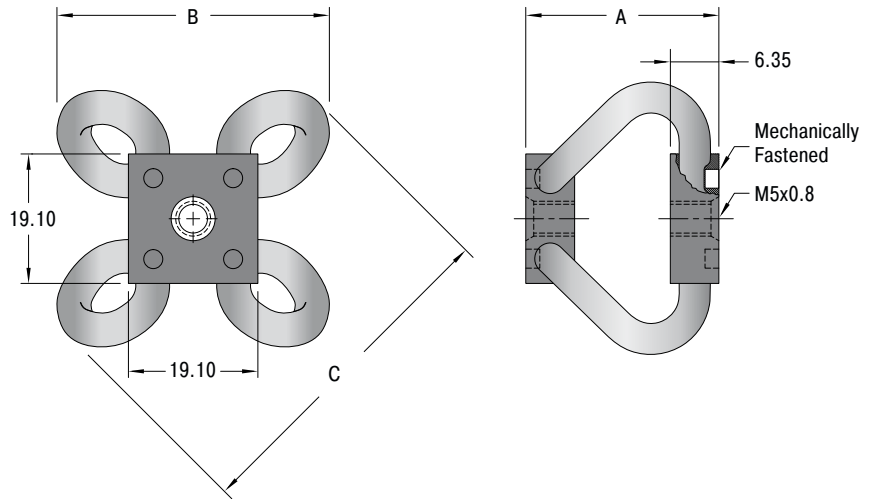
- Rugged all metal construction
- Long life and maintenance free
- Three axis capability (6 dof)
- High damping: $C/cc \approx 0.15$ to 0.20

Material

- Cable: 300 Series SS per MIL-W-83420 or RR-W-410
- Inserts: 300 Series SS per MS124655
- Retainer bars: 6063-T52 Aluminum alloy/chem film IAW MIL-C-5541, Class 1A

On request

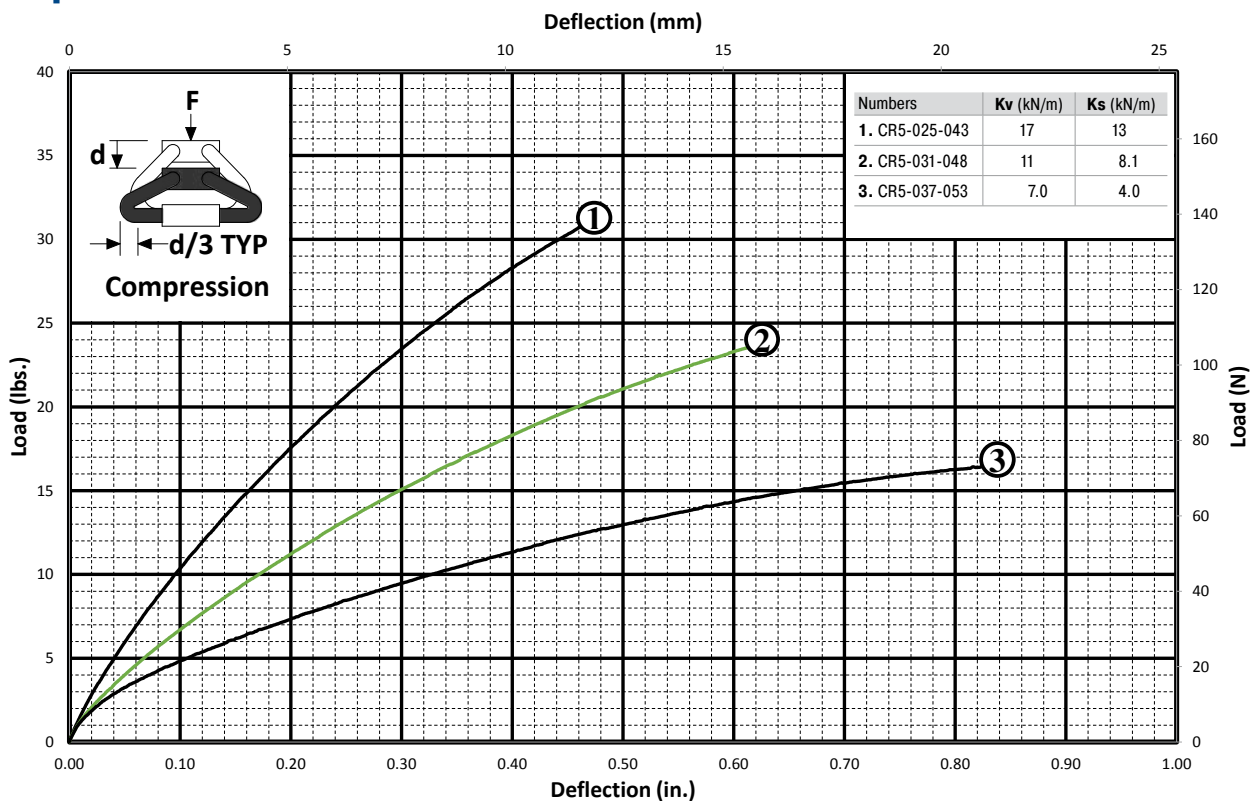
Special materials, size, mounting holes, finish, etc. available



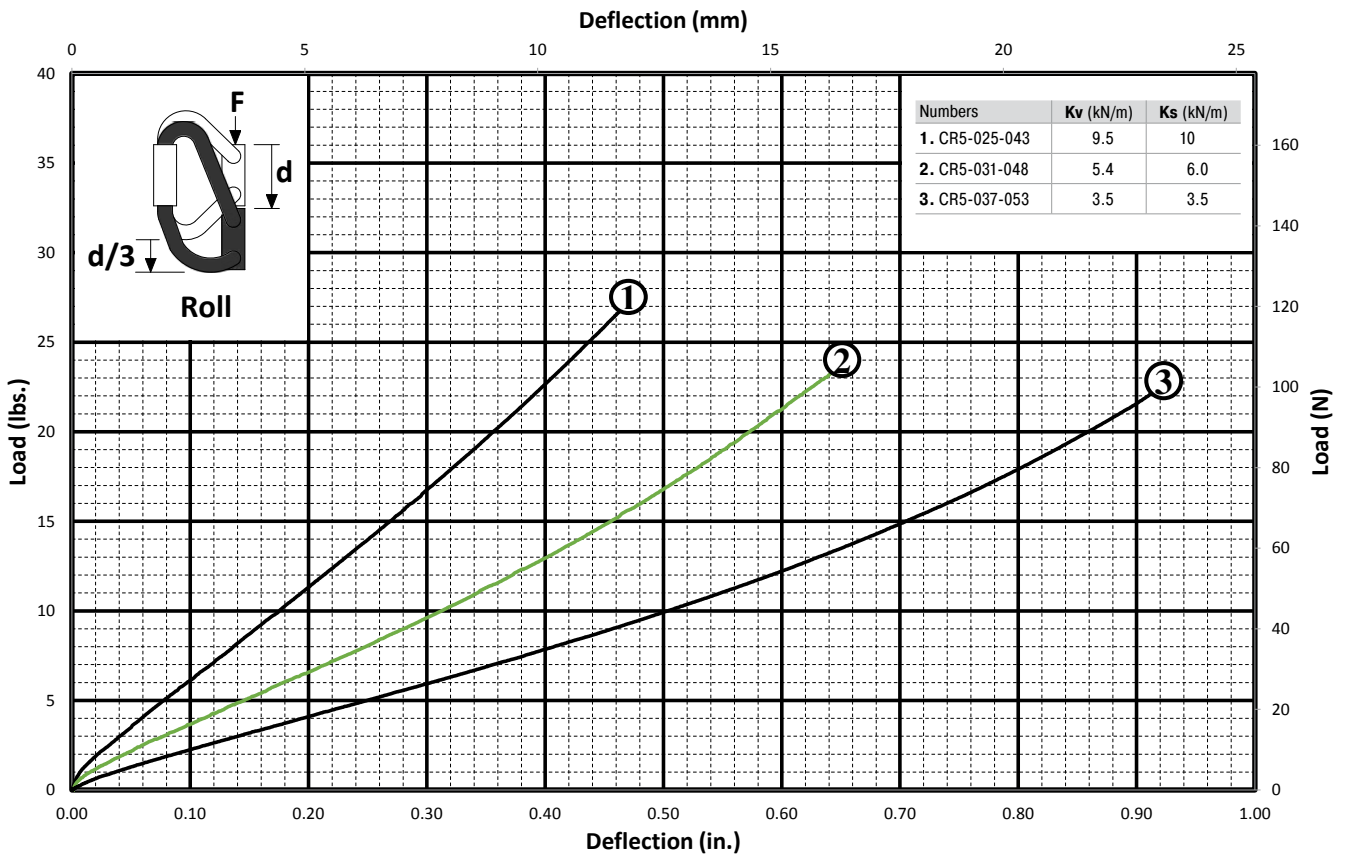
Performance

TYPES	A (+/- 0.8) mm	B mm	C mm	M	Compression		Roll		Compression/Roll		Weight kg
					Kv (Vibe) kN/m	Ks (Shock) kN/m	Kv (Vibe) kN/m	Ks (Shock) kN/m	Kv (Vibe) kN/m	Ks (Shock) kN/m	
CR5-025-043	25.4	43.4	56.9	M5x0.8	17	13	9.5	10	11	8.8	0.023
CR5-031-048	30.5	48.3	63.5	M5x0.8	11	8.1	5.4	6.0	7.9	5.4	0.028
CR5-037-053	36.8	53.3	69.3	M5x0.8	7.0	4	3.5	3.5	4.9	3.2	0.031

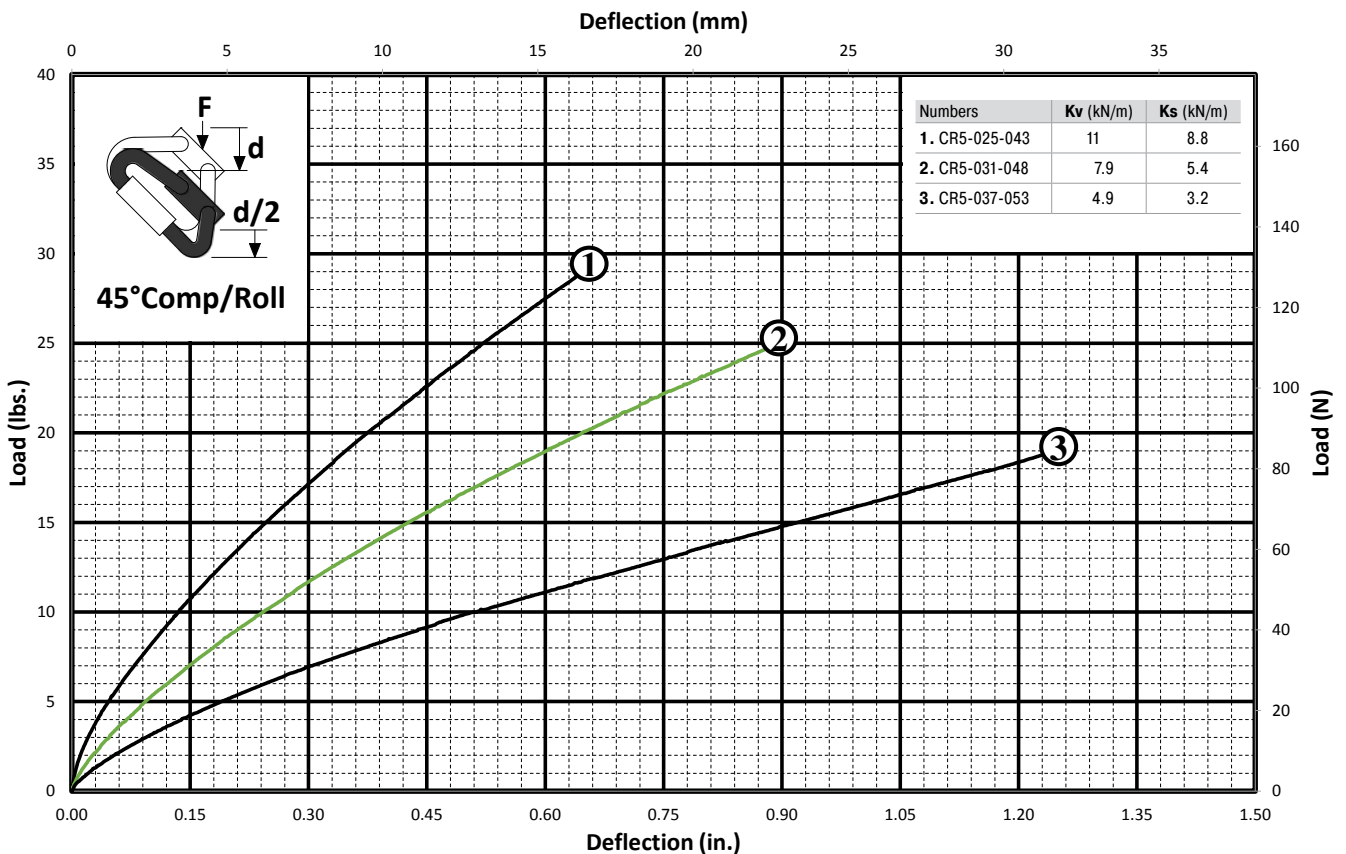
Compression



Roll



45° Compression/Roll



CR6

Square Mount Isolator

4.76 mm (3/16") Diameter Cable



Features

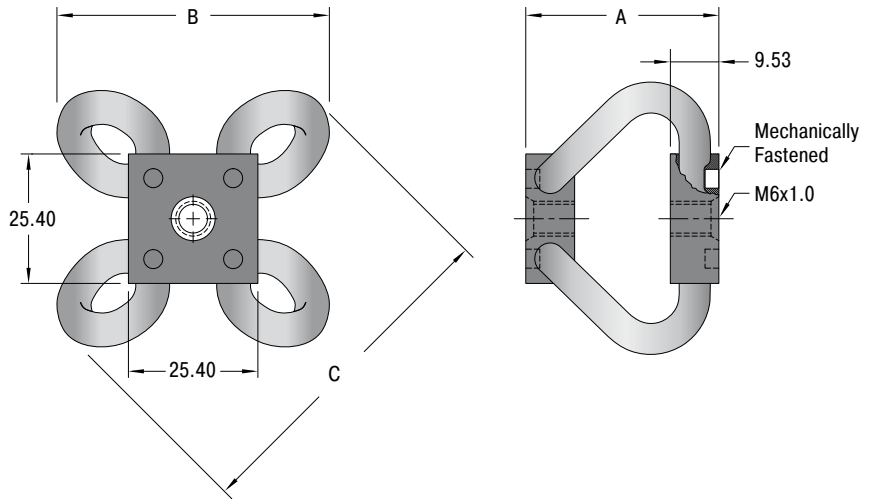
- Rugged all metal construction
- Long life and maintenance free
- Three axis capability (6 dof)
- High damping: $C/cc \approx 0.15$ to 0.20

Material

- Cable: 300 Series SS per MIL-W-83420 or RR-W-410
- Inserts: 300 Series SS per MS122081
- Retainer bars: 6063-T52 Aluminum alloy/chem film IAW MIL-C-5541, Class 1A

On request

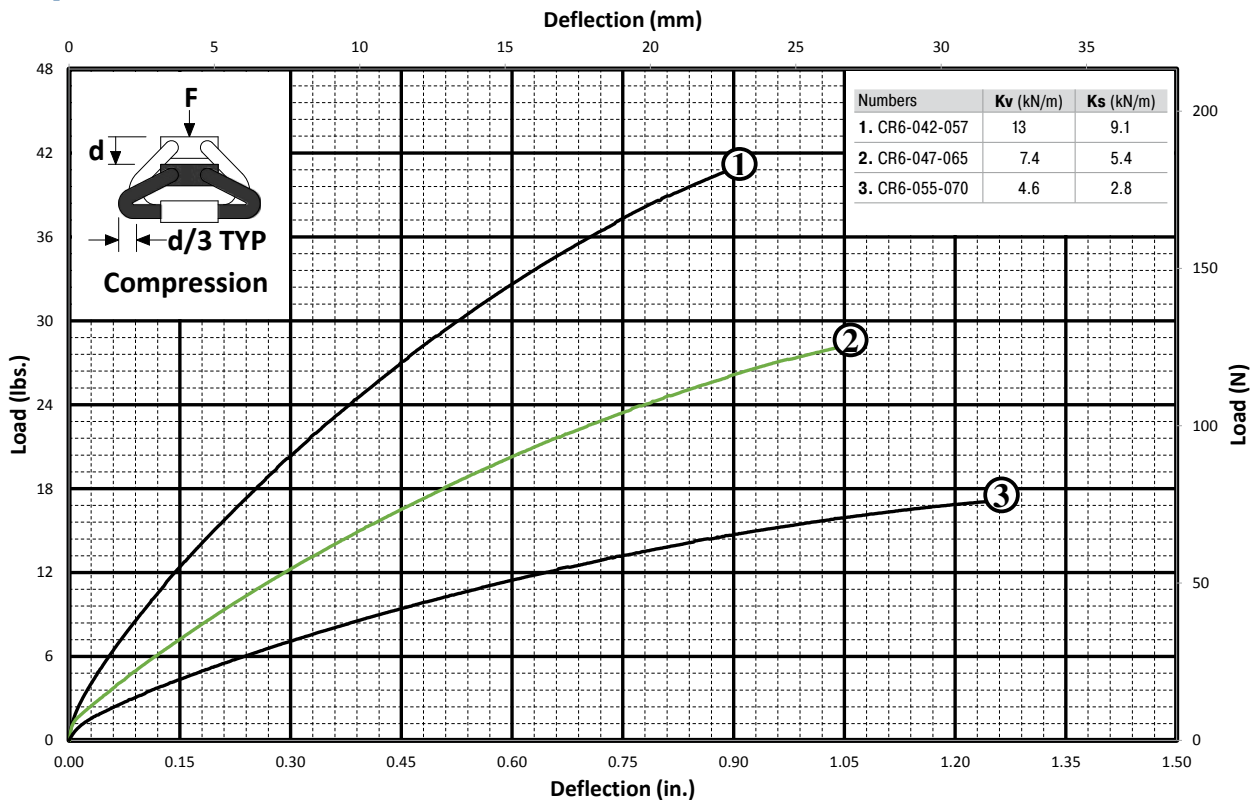
Special materials, size, mounting holes, finish, etc. available



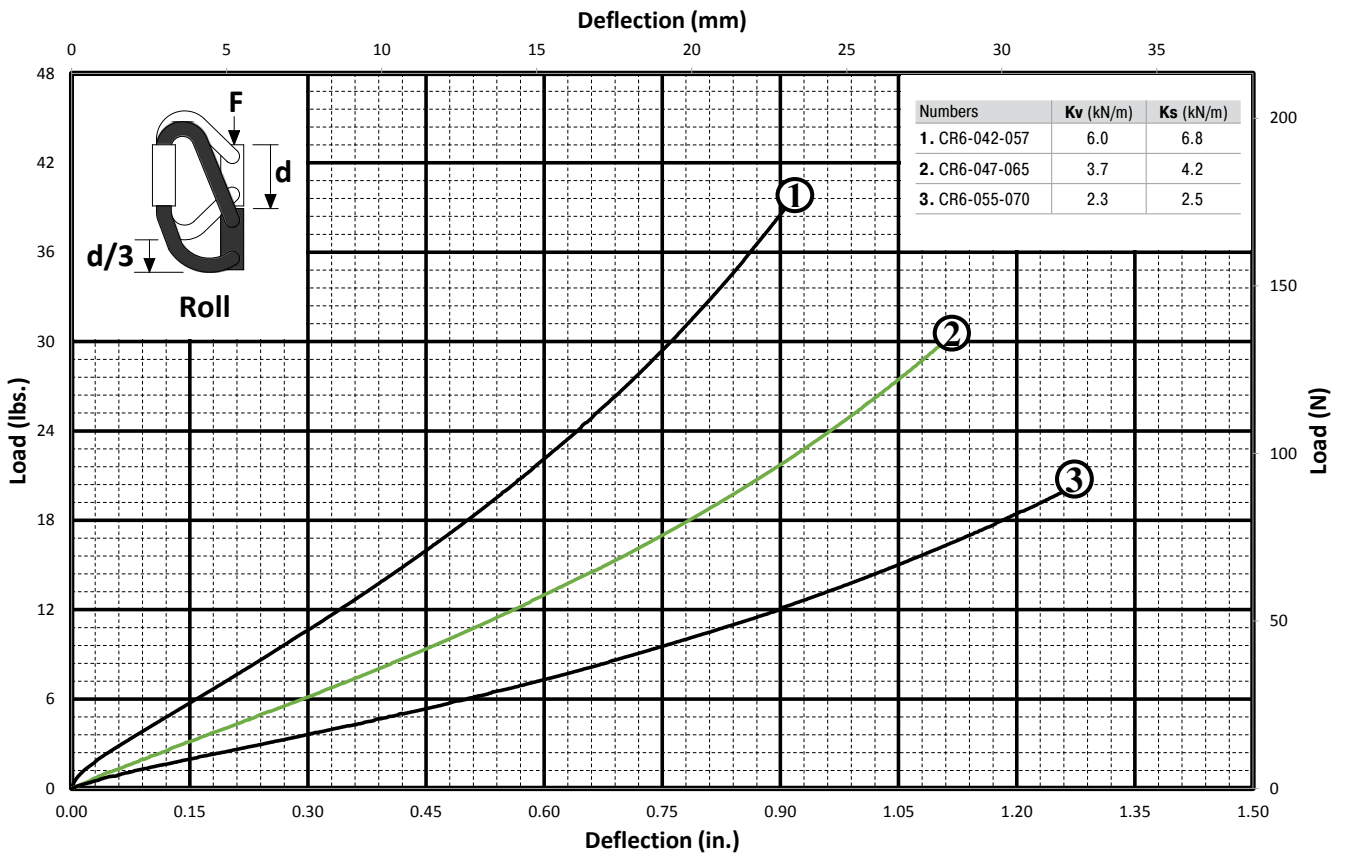
Performance

TYPES	A (+/- 0.8) mm	B mm	C mm	M	Compression		Roll		Compression/Roll		Weight kg
					Kv (Vibe) kN/m	Ks (Shock) kN/m	Kv (Vibe) kN/m	Ks (Shock) kN/m	Kv (Vibe) kN/m	Ks (Shock) kN/m	
CR6-042-057	41.9	57.2	75.7	M6x1.0	13	9.1	6.0	6.8	8.4	5.6	0.057
CR6-047-065	47.0	64.8	82.6	M6x1.0	7.4	5.4	3.7	4.2	5.6	3.3	0.062
CR6-055-070	54.6	70.1	91.4	M6x1.0	4.6	2.8	2.3	2.5	3.5	1.8	0.065

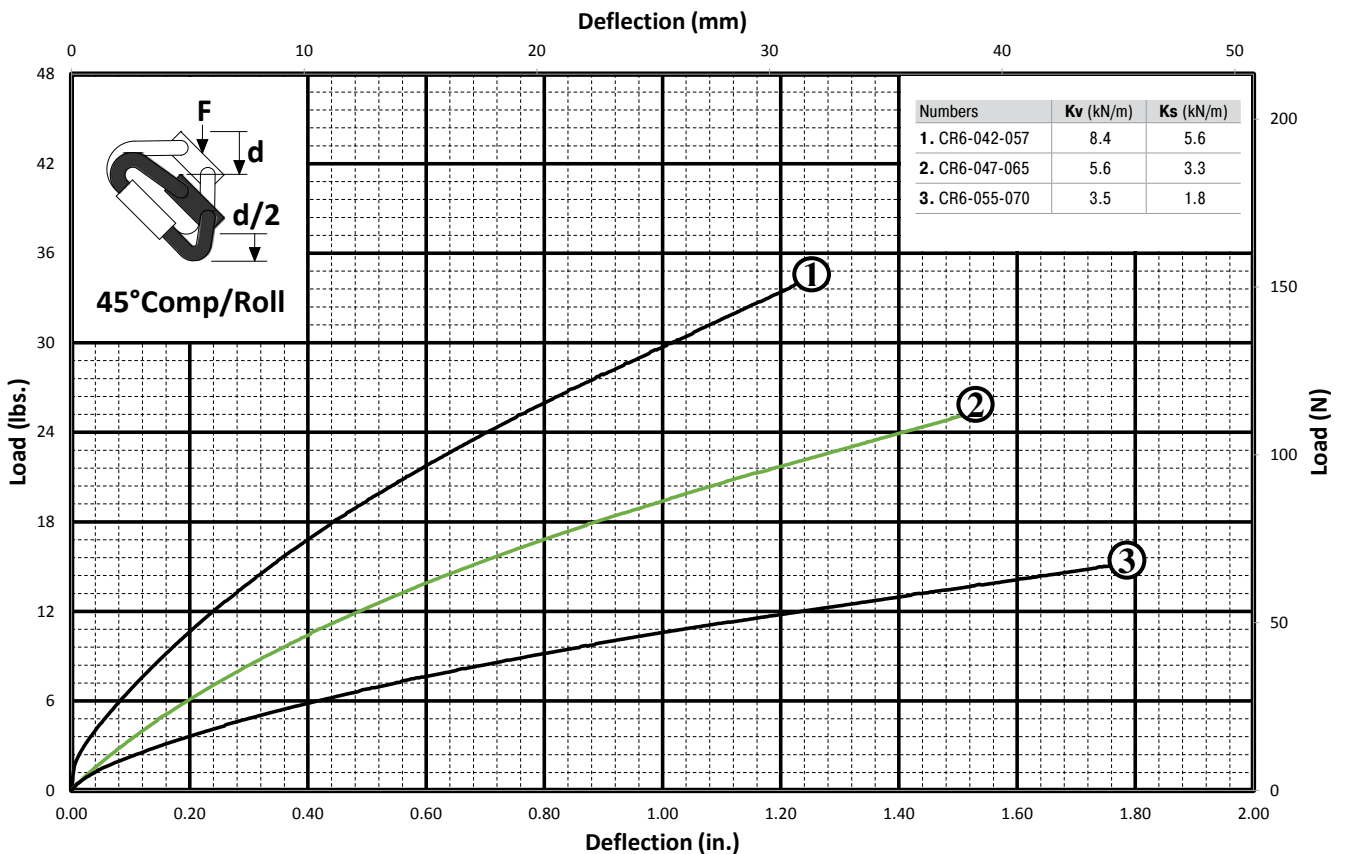
Compression



Roll



45° Compression/Roll



Issue 07.2020 – Specifications subject to change

CR7

Square Mount Isolator

5.56 mm (7/32") Diameter Cable



Features

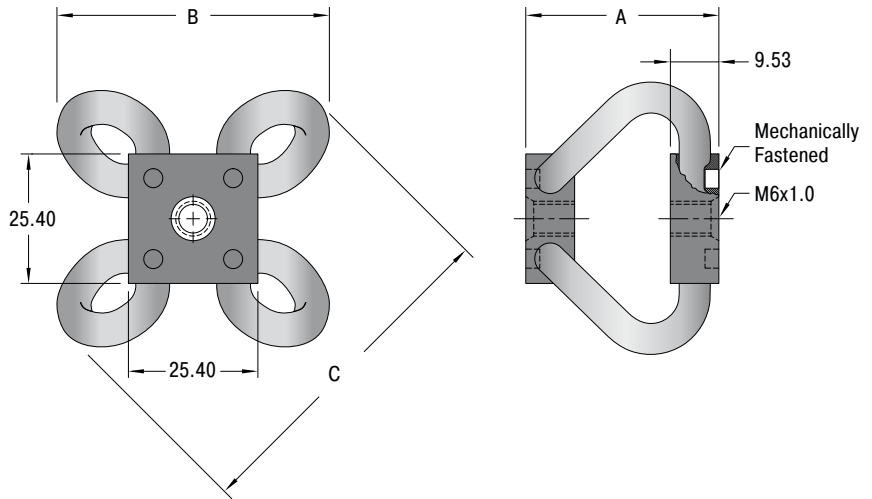
- Rugged all metal construction
- Long life and maintenance free
- Three axis capability (6 dof)
- High damping: $C/cc \approx 0.15$ to 0.20

Material

- Cable: 300 Series SS per MIL-W-83420 or RR-W-410
- Inserts: 300 Series SS per MS122081
- Retainer bars: 6063-T52 Aluminum alloy/chem film IAW MIL-C-5541, Class 1A

On request

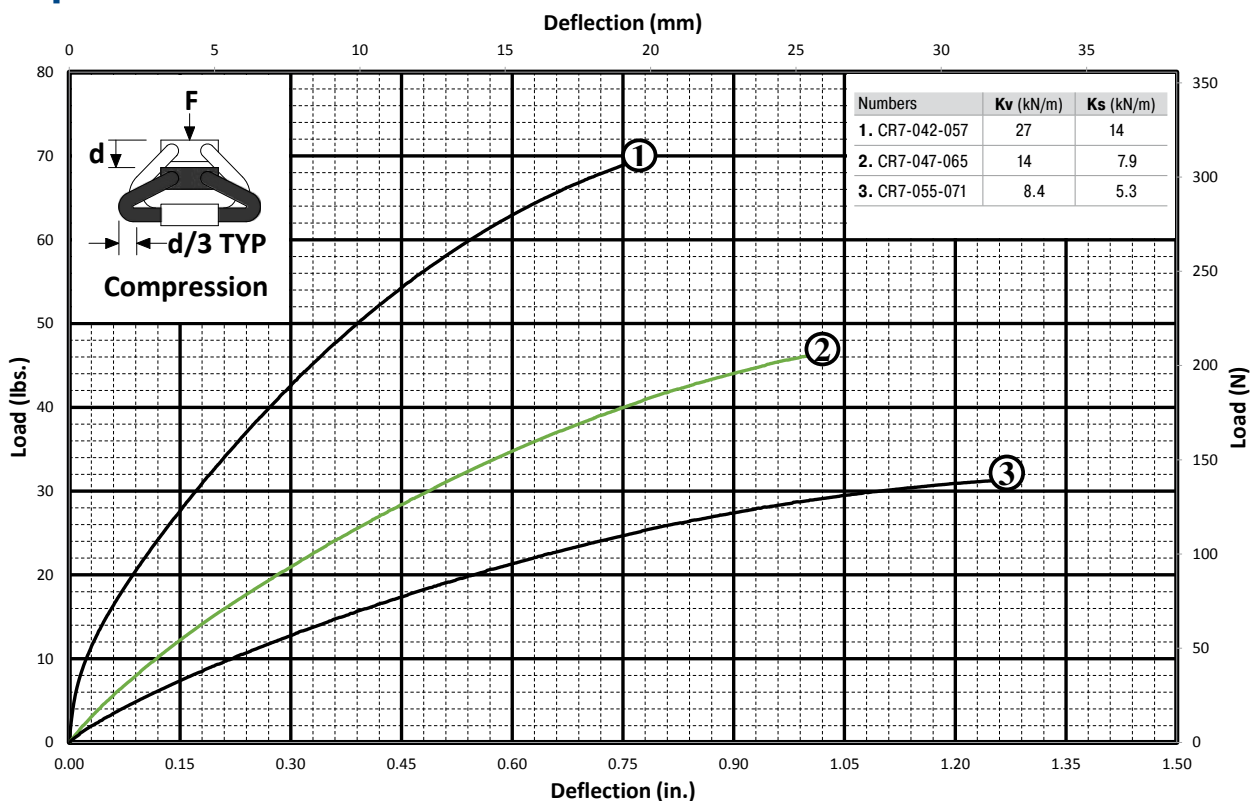
Special materials, size, mounting holes, finish, etc. available



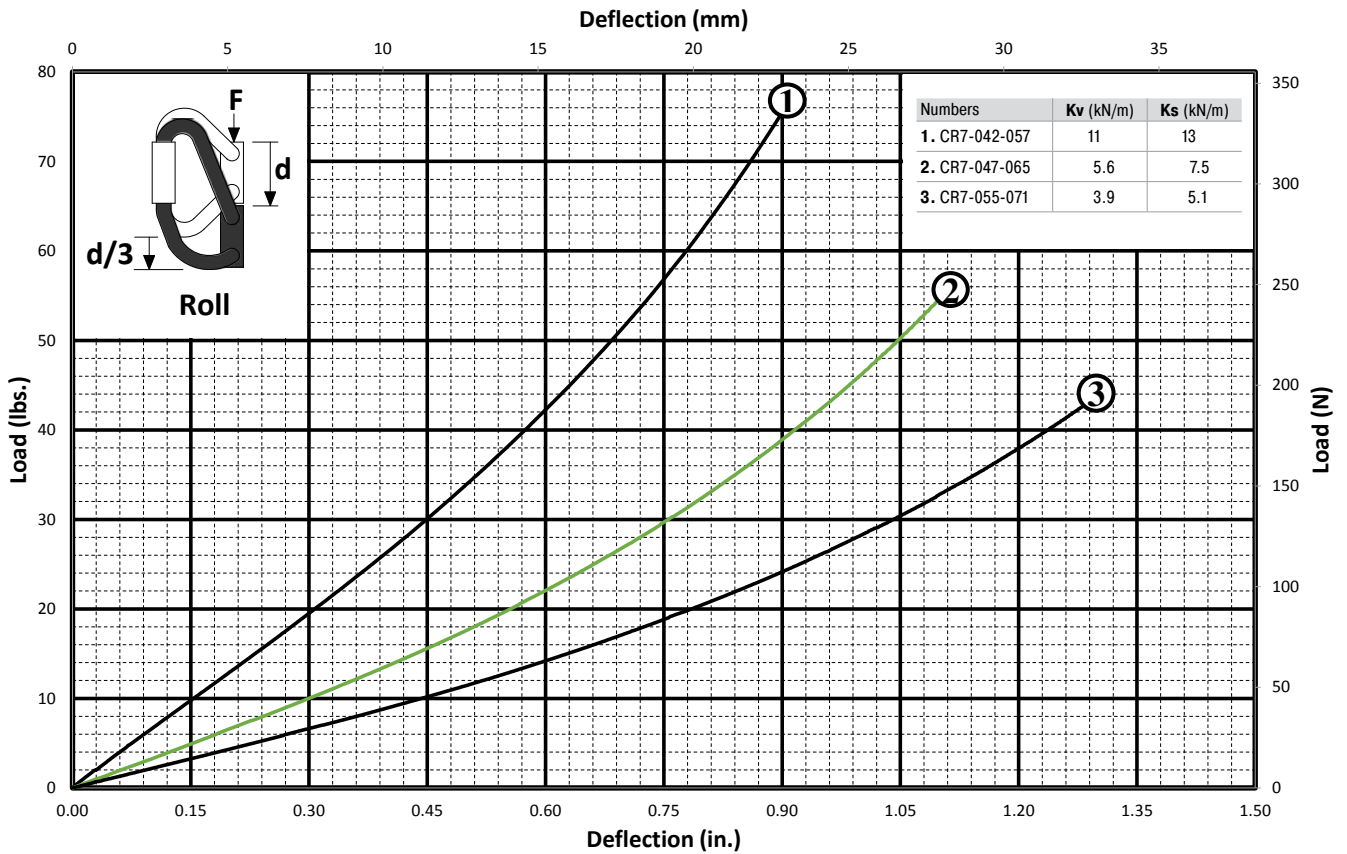
Performance

TYPES	A (+/- 0.8) mm	B mm	C mm	M	Compression		Roll		Compression/Roll		Weight kg
					Kv (Vibe) kN/m	Ks (Shock) kN/m	Kv (Vibe) kN/m	Ks (Shock) kN/m	Kv (Vibe) kN/m	Ks (Shock) kN/m	
CR7-042-057	41.9	57.2	75.7	M6x1.0	27	14	11	13	18	9.6	0.065
CR7-047-065	47.0	64.8	83.8	M6x1.0	14	7.9	5.6	7.5	8.9	5.3	0.074
CR7-055-071	54.6	71.1	91.4	M6x1.0	8.4	5.3	3.9	5.1	6.0	3.2	0.091

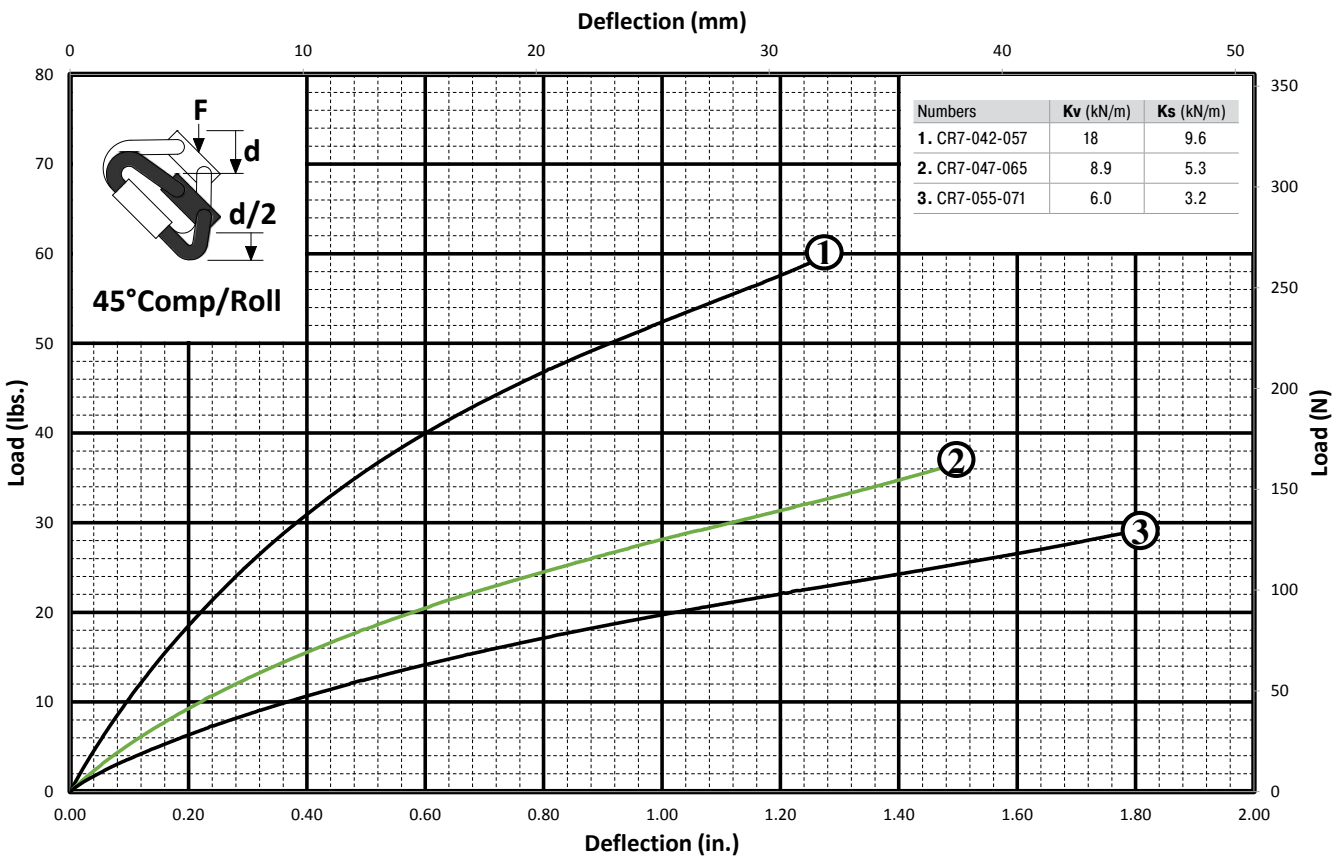
Compression



Roll



45° Compression/Roll



Issue 07.2020 – Specifications subject to change

CR8

Square Mount Isolator

6.35 mm (1/4") Diameter Cable



Features

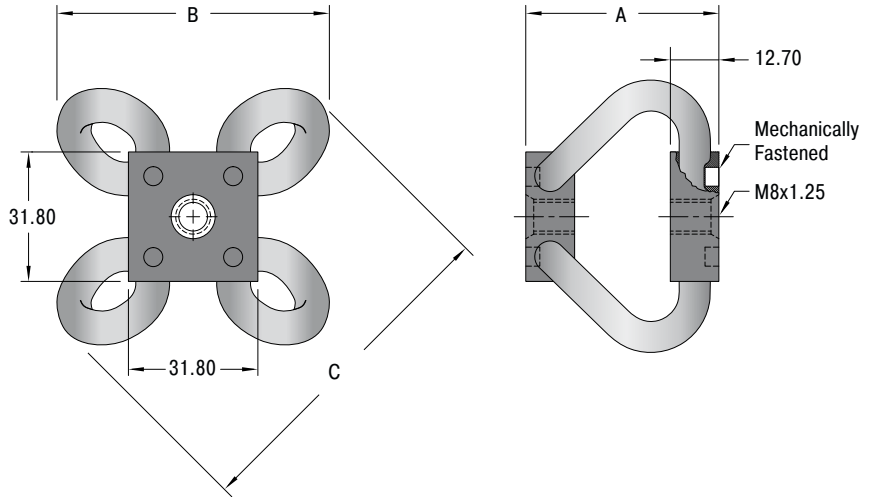
- Rugged all metal construction
- Long life and maintenance free
- Three axis capability (6 dof)
- High damping: $C/cc \approx 0.15$ to 0.20

Material

- Cable: 300 Series SS per MIL-W-83420 or RR-W-410
- Inserts: 300 Series SS per MS122082
- Retainer bars: 6063-T52 Aluminum alloy/chem film IAW MIL-C-5541, Class 1A

On request

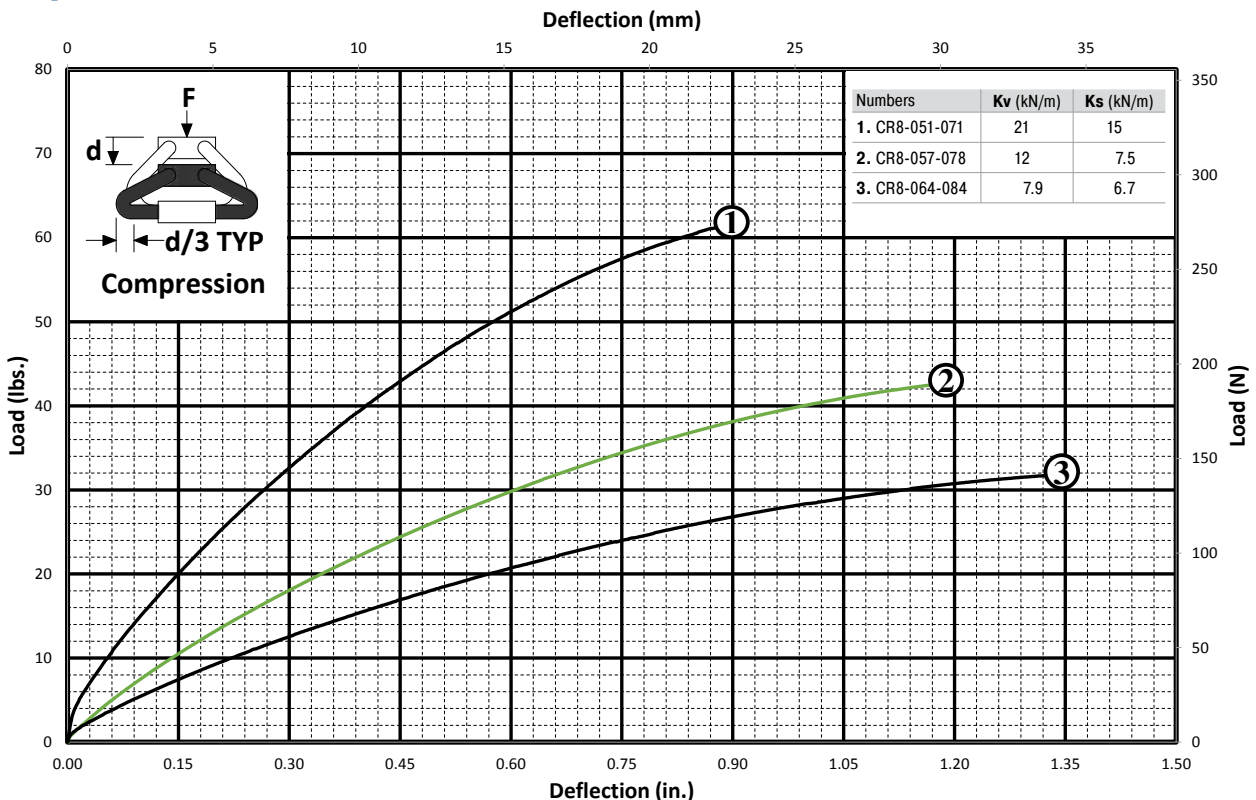
Special materials, size, mounting holes, finish, etc. available



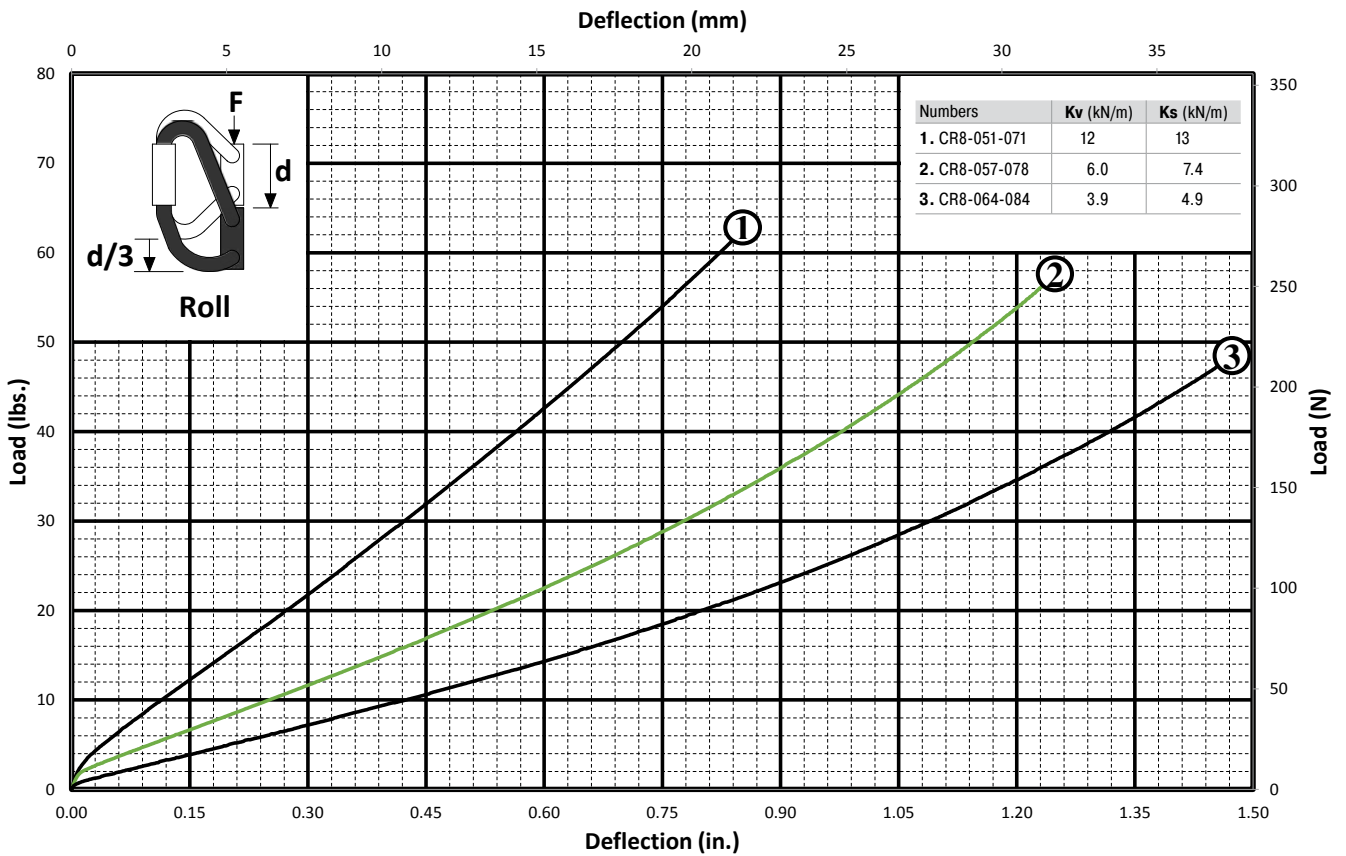
Performance

TYPES	A (+/- 0.8) mm	B mm	C mm	M	Compression		Roll		Compression/Roll		Weight kg
					Kv (Vibe) kN/m	Ks (Shock) kN/m	Kv (Vibe) kN/m	Ks (Shock) kN/m	Kv (Vibe) kN/m	Ks (Shock) kN/m	
CR8-051-071	50.8	71.1	92.7	M8x1.25	21	15	12	13	15	9.1	0.122
CR8-057-078	57.2	77.5	99.1	M8x1.25	12	7.5	6.0	7.4	8.4	4.9	0.125
CR8-064-084	63.5	83.8	108.0	M8x1.25	7.9	6.7	3.9	4.9	6.0	3.2	0.136

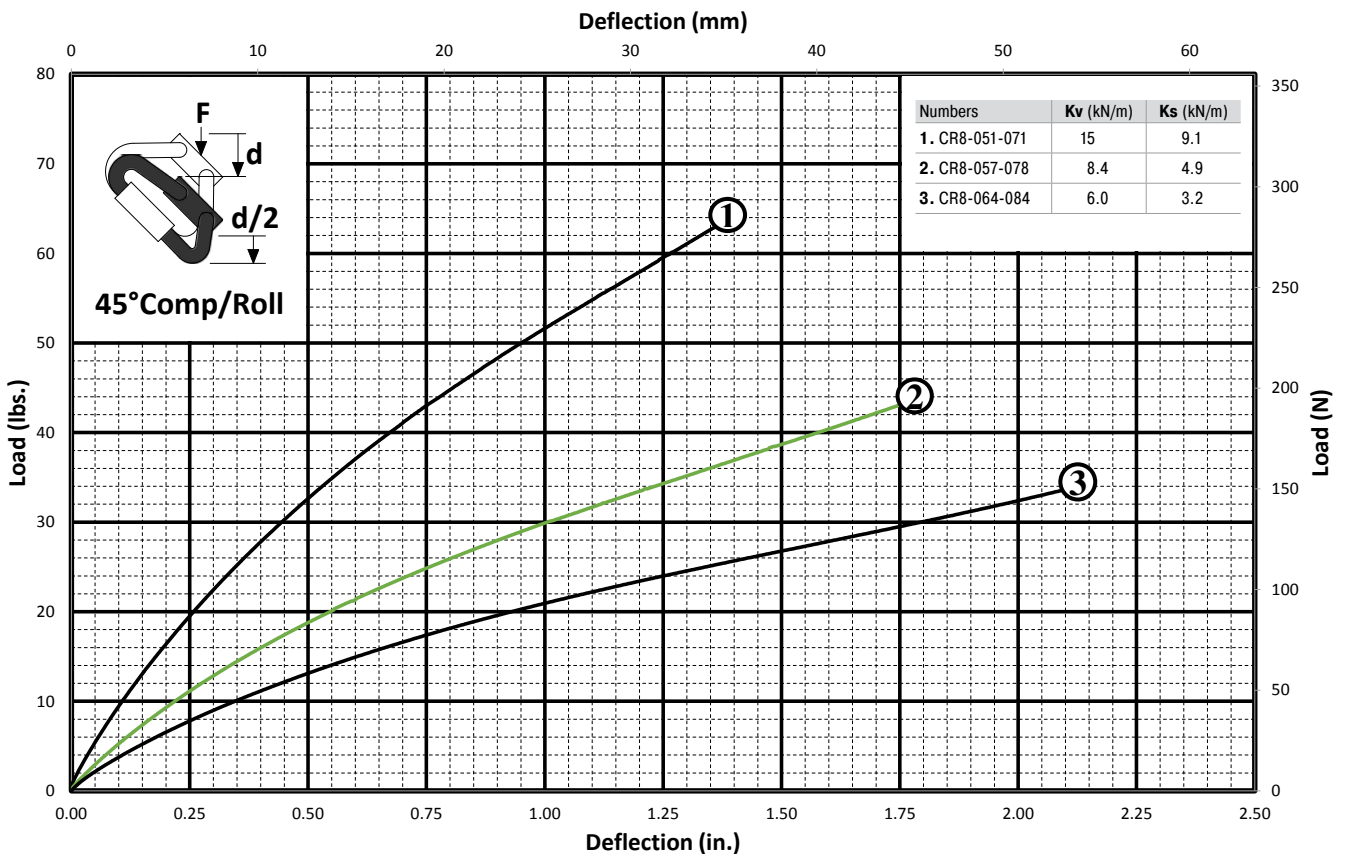
Compression



Roll



45° Compression/Roll



Issue 07.2020 – Specifications subject to change